

NHD-2.4-240320CF-CSXN#-F

TFT (Thin-Film Transistor) Liquid Crystal Display Module

NHD-	Newhaven Display
2.4-	2.4" Diagonal
240320-	240 x 320 Pixels (Portrait Mode)
CF-	Model
C-	Built-in Controller
S-	Sunlight Readable
X-	TFT
N-	TN, 6:00 Optimal View, Wide Temperature
#-	RoHS Compliant
F-	FFC ZIF Connection Style

Newhaven Display International, Inc.

2661 Galvin Ct.

Elgin IL, 60124

Ph: 847-844-8795

Fax: 847-844-8796

www.newhavendisplay.com

nhtech@newhavendisplay.com

nhsales@newhavendisplay.com

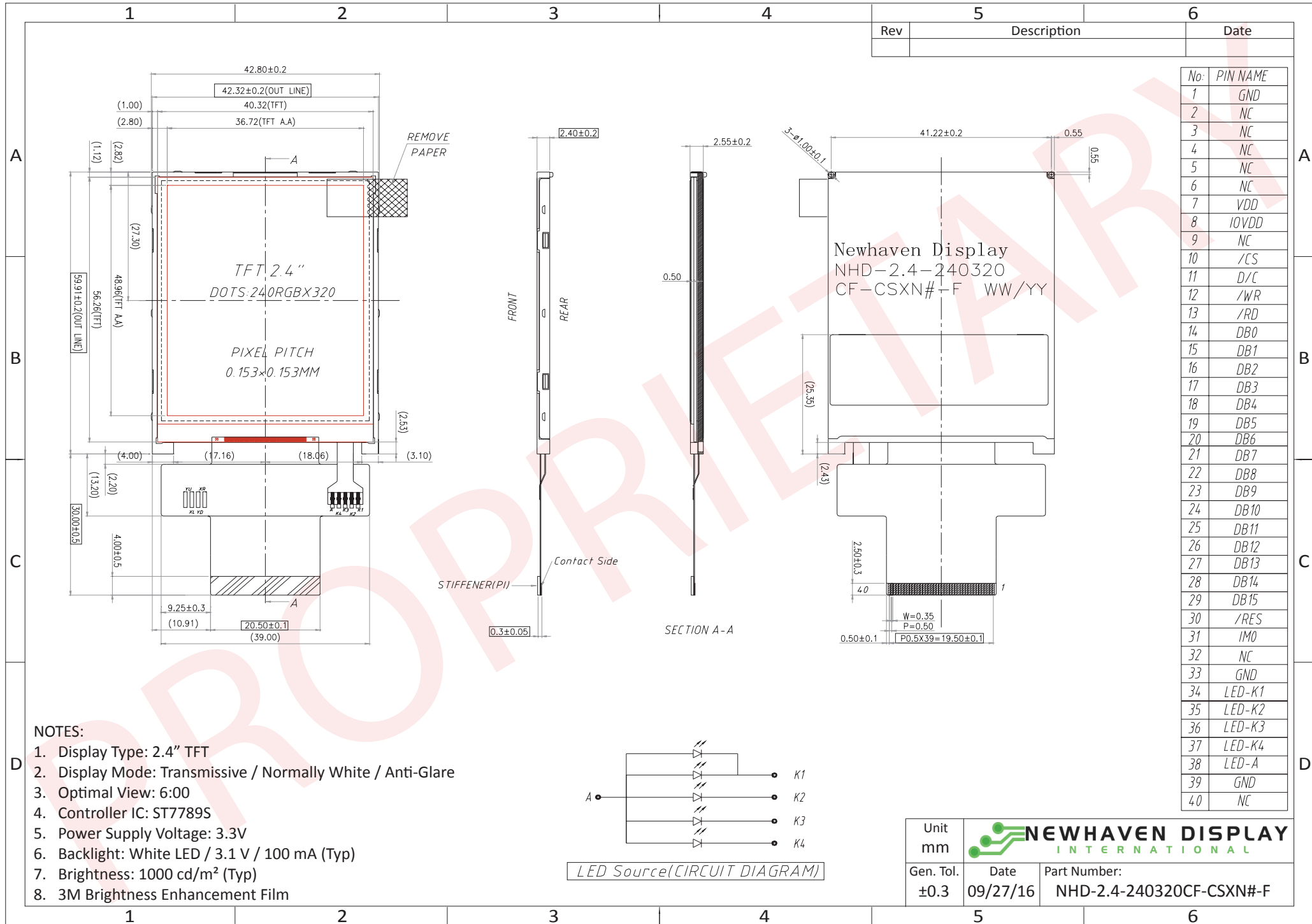
Document Revision History

Revision	Date	Description	Changed by
0	5/21/15	Initial Release	AK
1	6/22/15	Bezel design & Backlight circuit updated	AK
2	10/1/15	Mechanical Drawing, Supply Voltage, Supply Current and Brightness Updated	SB
3	2/17/16	Brightness Updated, Datasheet Reformat	SB
4	3/21/16	Updated Mechanical Drawing, Added Backlight Lifetime	SB
5	4/7/16	Viewing Angle Clarification, Brightness Updated	SB
6	7/8/16	Brightness Updated	SB
7	9/27/16	Brightness Updated	SB

Functions and Features

- 240 x 320 pixels
- White LED backlight
- 3.3V power supply
- 8-bit or 16-bit Parallel MPU interface
- FFC ZIF I/O connection
- Built-in ST7789S controller
- 262K colors
- Touch Panel available
- Sunlight readable

Mechanical Drawing



The information contained herein is the exclusive property of Newhaven Display International, Inc. and shall not be copied, reproduced, and/or disclosed in any format without permission.

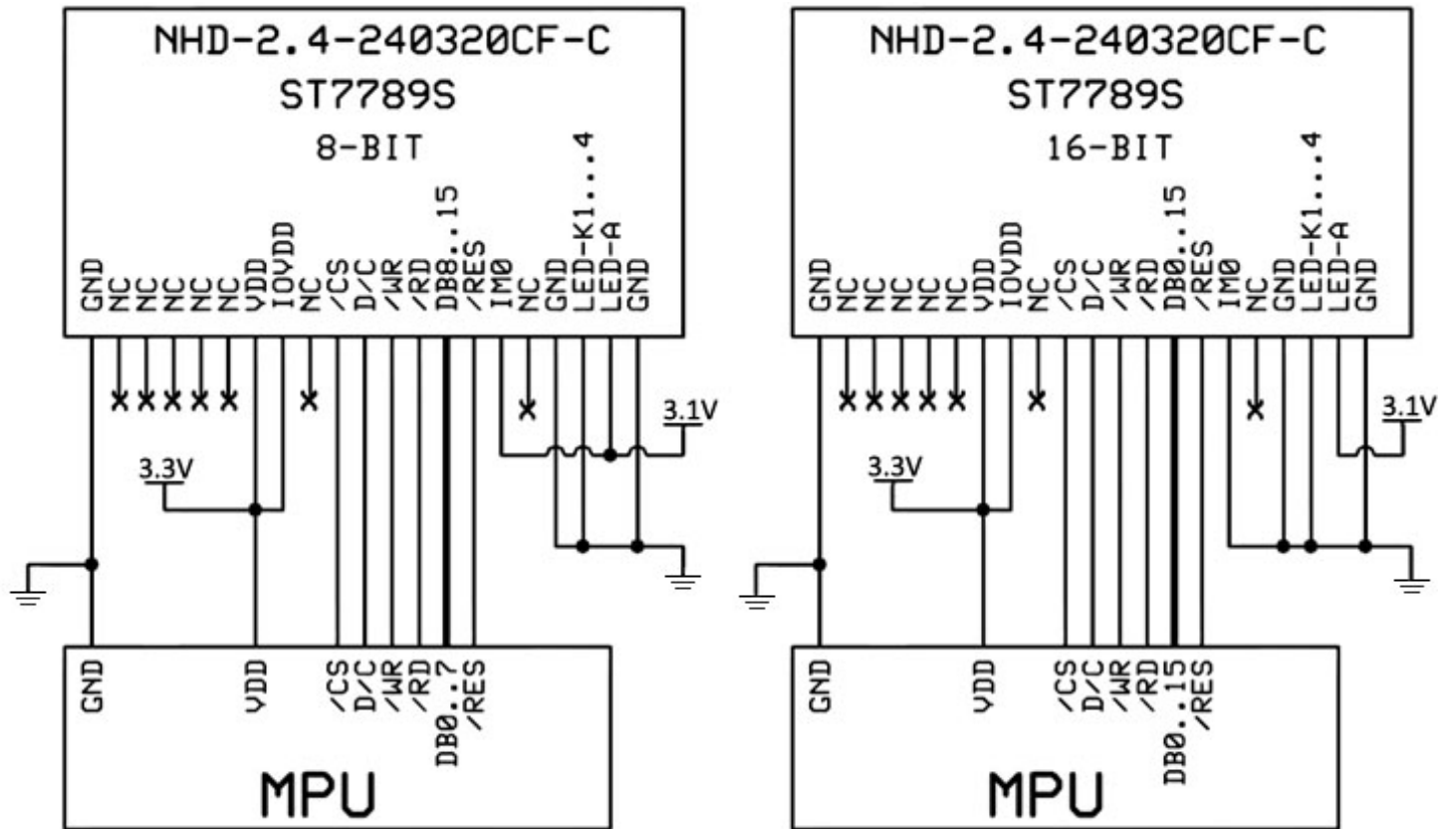
Pin Description

Pin No.	Symbol	External Connection	Function Description
1	GND	Power Supply	Ground
2	NC	-	No Connect
3	NC	-	No Connect
4	NC	-	No Connect
5	NC	-	No Connect
6	NC	-	No Connect
7	VDD	Power Supply	Supply Voltage for LCD (3.3V)
8	IOVDD	Power Supply	Supply Voltage for Logic (1.8V)
9	NC	-	No Connect
10	/CS	MPU	Active LOW Chip Select signal (can tie to GND)
11	D/C	MPU	Data / Command selection: '1' = Data ; '0' = Command
12	/WR	MPU	Active LOW Write signal
13	/RD	MPU	Active LOW Read signal
14	DB0	MPU	Bi-directional data bus 8-bit: use DB8-DB15 16-bit: use DB0-DB15
15	DB1	MPU	
16	DB2	MPU	
17	DB3	MPU	
18	DB4	MPU	
19	DB5	MPU	
20	DB6	MPU	
21	DB7	MPU	
22	DB8	MPU	
23	DB9	MPU	
24	DB10	MPU	
25	DB11	MPU	
26	DB12	MPU	
27	DB13	MPU	
28	DB14	MPU	
29	DB15	MPU	
30	/RES	MPU	Active LOW Reset signal
31	IM0	MPU	IM0=0: 16-bit i80 IM0=1: 8-bit i80
32	NC	-	No Connect
33	GND	Power Supply	Ground
34	LED-K1	Power Supply	Backlight Cathode (Ground)
35	LED-K2	Power Supply	Backlight Cathode (Ground)
36	LED-K3	Power Supply	Backlight Cathode (Ground)
37	LED-K4	Power Supply	Backlight Cathode (Ground)
38	LED-A	Power Supply	Backlight Anode (3.1V)
39	GND	Power Supply	Ground
40	NC	-	No Connect

Recommended LCD connector: 40-pin, 0.5mm pitch FFC connector

Molex P/N: 54132-4062 or similar

Wiring Diagram



Electrical Characteristics

Item	Symbol	Condition	Min.	Typ.	Max.	Unit
Operating Temperature Range	T_{OP}	Absolute Max	-20	-	+70	°C
Storage Temperature Range	T_{ST}	Absolute Max	-30	-	+80	°C
Supply Voltage for LCD	V_{DD}	-	2.4	3.3	3.5	V
Supply Voltage for Logic	IOV_{DD}	-	1.65	1.8	3.3	V
Supply Current	I_{DD}	$V_{DD}=3.3V$	-	6	12	mA
"H" Level input	V_{IH}	-	$0.7*V_{DD}$	-	V_{DD}	V
"L" Level input	V_{IL}	-	V_{SS}	-	$0.3*V_{DD}$	V
"H" Level output	V_{OH}	-	$0.8*V_{DD}$	-	V_{DD}	V
"L" Level output	V_{OL}	-	V_{SS}	-	$0.2*V_{DD}$	V
Backlight Supply Voltage	V_{LED}	-	2.8	3.1	3.5	V
Backlight Supply Current	I_{LED}	$V_{LED}=3.1V$	-	100	125	mA
Backlight Lifetime*	-	$I_{LED} = 100\text{ mA}$ $T_{OP} = 25^{\circ}\text{C}$	20,000	50,000	-	Hrs.

*Backlight Lifetime is rated as Hours until **half-brightness**, under normal operating conditions.

Optical Characteristics

Item	Symbol	Condition	Min.	Typ.	Max.	Unit	
Optimal Viewing Angles	Top	$\varphi Y+$	CR ≥ 10	-	50	-	°
	Bottom	$\varphi Y-$		-	55	-	°
	Left	$\theta X-$		-	55	-	°
	Right	$\theta X+$		-	55	-	°
Contrast Ratio	CR	-	150	200	-	-	
Luminance	L_V	$I_{LED} = 100\text{ mA}$	850	1000	1450	cd/m^2	
Response Time	Rise	T_R	$T_{op} = 25^{\circ}\text{C}$	-	4	8	ms
	Fall	T_F		-	12	24	ms

Controller Information

Built-in ST7789S controller.

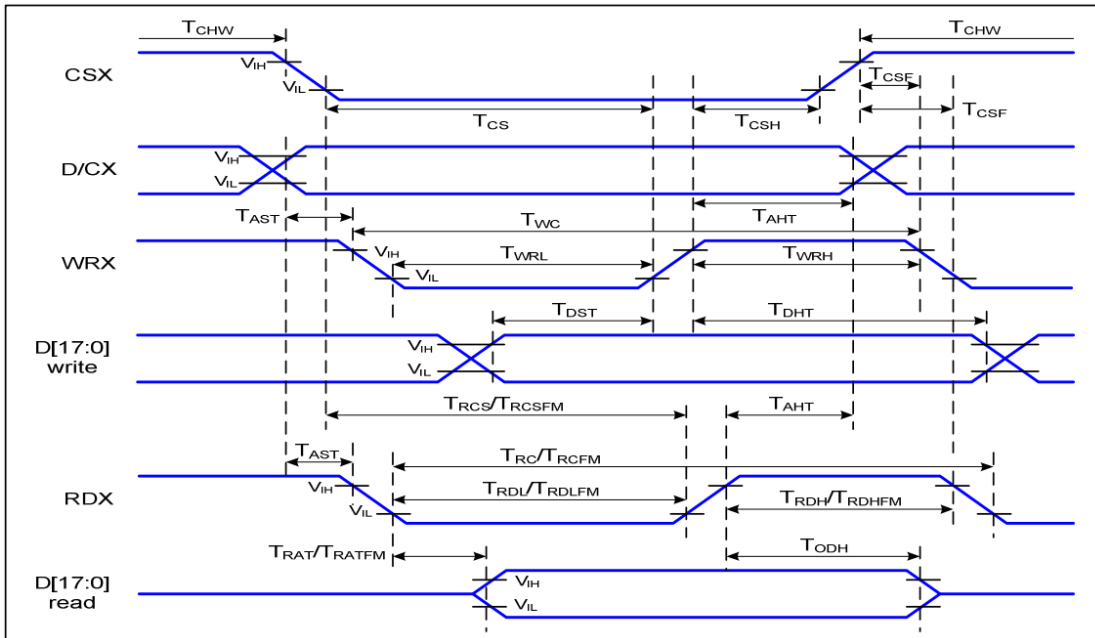
Please download specification at http://www.newhavendisplay.com/app_notes/ST7789S.pdf

Table of Commands

Please download specification at http://www.newhavendisplay.com/app_notes/ST7789S.pdf

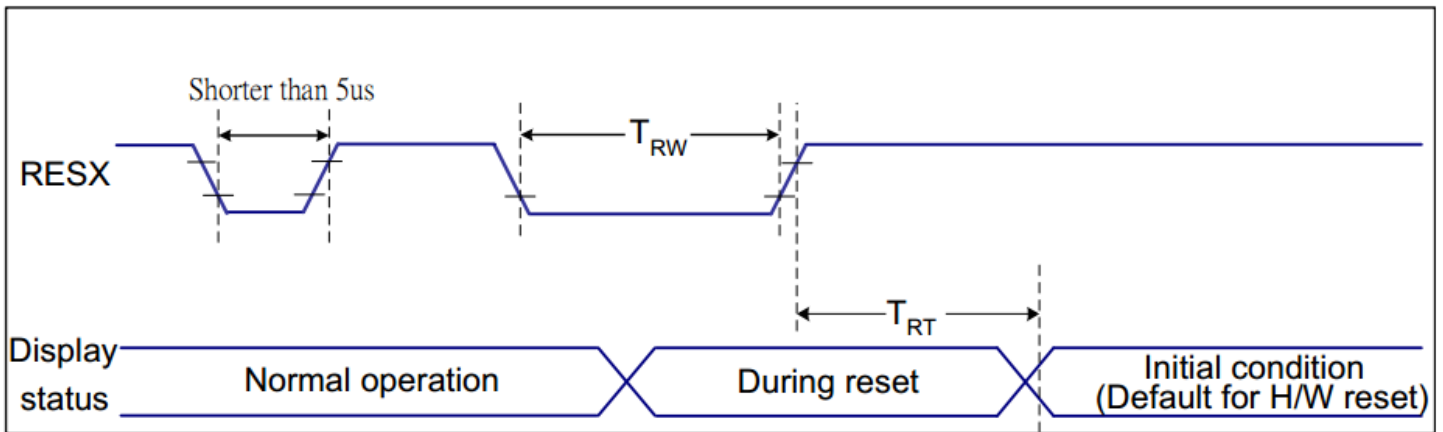
Timing Characteristics

Parallel 18/16/9/8-bit Interface Timing Characteristics (8080-II system)



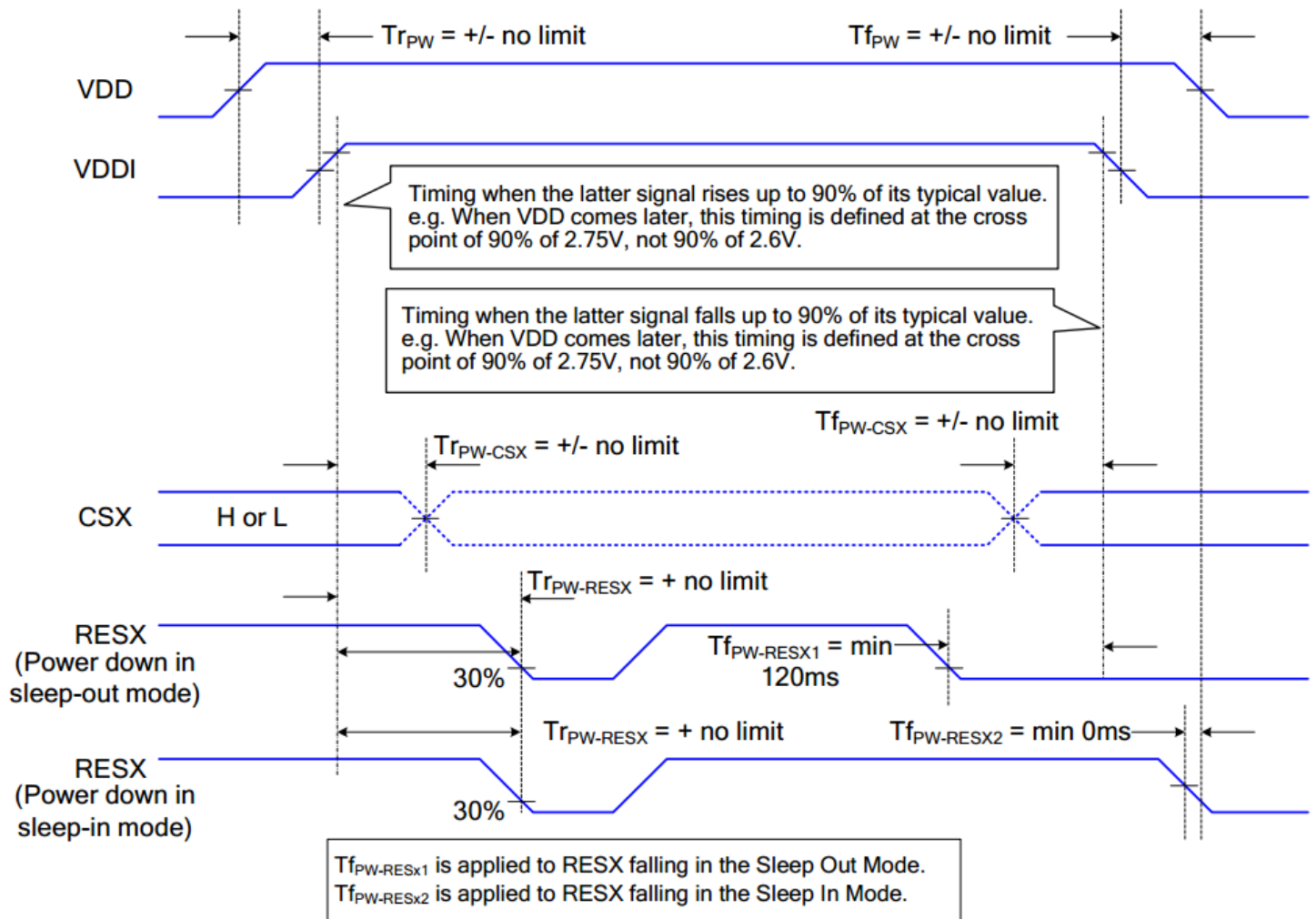
Signal	Symbol	Parameter	Min	Max	Unit	Description
D/CX	T_{AST}	Address setup time	0		ns	-
	T_{AHT}	Address hold time (Write/Read)	10		ns	-
CSX	T_{CHW}	Chip select "H" pulse width	0		ns	-
	T_{CS}	Chip select setup time (Write)	15		ns	-
	T_{RCS}	Chip select setup time (Read ID)	45		ns	-
	T_{RCSFM}	Chip select setup time (Read FM)	355		ns	-
	T_{CSF}	Chip select wait time (Write/Read)	10		ns	-
	T_{CSH}	Chip select hold time	10		ns	-
WRX	T_{WC}	Write cycle	66		ns	-
	T_{WRH}	Control pulse "H" duration	15		ns	-
	T_{WRL}	Control pulse "L" duration	15		ns	-
RDX (ID)	T_{RC}	Read cycle (ID)	160		ns	When read ID data
	T_{RDH}	Control pulse "H" duration (ID)	90		ns	
	T_{RDL}	Control pulse "L" duration (ID)	45		ns	
RDX (FM)	T_{RCFM}	Read cycle (FM)	450		ns	When read from frame memory
	T_{RDHFM}	Control pulse "H" duration (FM)	90		ns	
	T_{RDLFM}	Control pulse "L" duration (FM)	355		ns	
D[17:0]	T_{DST}	Data setup time	10		ns	For CL=30pF
	T_{DHT}	Data hold time	10		ns	
	T_{RAT}	Read access time (ID)		40	ns	
	T_{RATFM}	Read access time (FM)		340	ns	
	T_{ODH}	Output disable time	20	80	ns	

Reset Timing



Related Pins	Symbol	Parameter	MIN	MAX	Unit
RESX	TRW	Reset pulse duration	10	-	us
	TRT	Reset cancel	-	5 (Note 1, 5)	ms
				120 (Note 1, 6, 7)	ms

Power ON/OFF Sequence



Example Initialization Code

```
/*
void TFT_24_7789_Write_Command(unsigned int command)
{
    GPIO_ResetBits(GPIOC, CS1);
    GPIO_ResetBits(GPIOC, RS);
    GPIO_SetBits(GPIOC, nRD);
    GPIO_ResetBits(GPIOC, nWR);
    GPIO_Write(GPIOB, command);
    TFT_delay(10);
    GPIO_SetBits(GPIOC, nWR);
    TFT_delay(1);
}
*/
void TFT_24_7789_Write_Data(unsigned int data1)
{
    GPIO_Write(GPIOB, data1);
    GPIO_SetBits(GPIOC, RS);
    GPIO_ResetBits(GPIOC, nWR);
    TFT_delay(1);
    GPIO_SetBits(GPIOC, nWR);
}
/*
void TFT_24_7789_Init(void)
{
    int n;
    GPIO_ResetBits(GPIOC, CS1);
    GPIO_SetBits(GPIOC, nRD);
    GPIO_ResetBits(GPIOC, nWR);
    GPIO_WriteBit(GPIOC, RES, Bit_RESET);
    TFT_delay(100);
    GPIO_WriteBit(GPIOC, RES, Bit_SET);
    TFT_delay(100);
    TFT_24_7789_Write_Command(0x0011); //exit SLEEP mode
    TFT_delay(100);

    TFT_24_7789_Write_Command(0x0036);
    TFT_24_7789_Write_Data(0x0080); //MADCTL: memory data access control
    TFT_24_7789_Write_Command(0x003A);
    TFT_24_7789_Write_Data(0x0066); //COLMOD: Interface Pixel format
    TFT_24_7789_Write_Command(0x00B2);
    TFT_24_7789_Write_Data(0x000C);
    TFT_24_7789_Write_Data(0x0C);
    TFT_24_7789_Write_Data(0x00);
    TFT_24_7789_Write_Data(0x33);
    TFT_24_7789_Write_Data(0x33); //PORCTRK: Porch setting
    TFT_24_7789_Write_Command(0x00B7);
    TFT_24_7789_Write_Data(0x0035); //GCTRL: Gate Control
    TFT_24_7789_Write_Command(0x00BB);
    TFT_24_7789_Write_Data(0x002B); //VCOMS: VCOM setting
    TFT_24_7789_Write_Command(0x00C0);
    TFT_24_7789_Write_Data(0x002C); //LCMCTRL: LCM Control
    TFT_24_7789_Write_Command(0x00C2);
    TFT_24_7789_Write_Data(0x0001);
    TFT_24_7789_Write_Data(0xFF); //VDVVRHEN: VDV and VRH Command Enable
    TFT_24_7789_Write_Command(0x00C3);
    TFT_24_7789_Write_Data(0x0011); //VRHS: VRH Set
    TFT_24_7789_Write_Command(0x00C4);
}
*/
```

```

TFT_24_7789_Write_Data(0x0020);//VDVS: VDV Set
TFT_24_7789_Write_Command(0x00C6);
TFT_24_7789_Write_Data(0x000F);//FRCTRL2: Frame Rate control in normal mode
TFT_24_7789_Write_Command(0x00D0);
TFT_24_7789_Write_Data(0x00A4);
TFT_24_7789_Write_Data(0xA1);//PWCTRL1: Power Control 1
TFT_24_7789_Write_Command(0x00E0);
TFT_24_7789_Write_Data(0x00D0);
TFT_24_7789_Write_Data(0x0000);
TFT_24_7789_Write_Data(0x0005);
TFT_24_7789_Write_Data(0x000E);
TFT_24_7789_Write_Data(0x0015);
TFT_24_7789_Write_Data(0x000D);
TFT_24_7789_Write_Data(0x0037);
TFT_24_7789_Write_Data(0x0043);
TFT_24_7789_Write_Data(0x0047);
TFT_24_7789_Write_Data(0x0009);
TFT_24_7789_Write_Data(0x0015);
TFT_24_7789_Write_Data(0x0012);
TFT_24_7789_Write_Data(0x0016);
TFT_24_7789_Write_Data(0x0019);//PVGAMCTRL: Positive Voltage Gamma control
TFT_24_7789_Write_Command(0x00E1);
TFT_24_7789_Write_Data(0x00D0);
TFT_24_7789_Write_Data(0x0000);
TFT_24_7789_Write_Data(0x0005);
TFT_24_7789_Write_Data(0x000D);
TFT_24_7789_Write_Data(0x000C);
TFT_24_7789_Write_Data(0x0006);
TFT_24_7789_Write_Data(0x002D);
TFT_24_7789_Write_Data(0x0044);
TFT_24_7789_Write_Data(0x0040);
TFT_24_7789_Write_Data(0x000E);
TFT_24_7789_Write_Data(0x001C);
TFT_24_7789_Write_Data(0x0018);
TFT_24_7789_Write_Data(0x0016);
TFT_24_7789_Write_Data(0x0019);//NVGAMCTRL: Negative Voltage Gamma control
TFT_24_7789_Write_Command(0x002A);
TFT_24_7789_Write_Data(0x0000);
TFT_24_7789_Write_Data(0x0000);
TFT_24_7789_Write_Data(0x0000);
TFT_24_7789_Write_Data(0x00EF);//X address set
TFT_24_7789_Write_Command(0x002B);
TFT_24_7789_Write_Data(0x0000);
TFT_24_7789_Write_Data(0x0000);
TFT_24_7789_Write_Data(0x0001);
TFT_24_7789_Write_Data(0x003F);//Y address set

TFT_delay(10);
}
/*****/

```

Quality Information

Test Item	Content of Test	Test Condition	Note
High Temperature Storage	Endurance test applying the high storage temperature for a long time.	+80°C, 96hrs	2
Low Temperature Storage	Endurance test applying the low storage temperature for a long time.	-30°C, 96hrs	1,2
High Temperature Operation	Endurance test applying the electric stress (voltage & current) and the high thermal stress for a long time.	+70°C, 96hrs	2
Low Temperature Operation	Endurance test applying the electric stress (voltage & current) and the low thermal stress for a long time.	-20°C, 96hrs	1,2
High Temperature / Humidity Operation	Endurance test applying the electric stress (voltage & current) and the high thermal with high humidity stress for a long time.	+40°C, 90-95% RH, 96hrs	1,2
Thermal Shock resistance	Endurance test applying the electric stress (voltage & current) during a cycle of low and high thermal stress.	-20°C,30min -> 25°C,5min -> 70°C,30min -> 25°C,5min = 1 cycle. 10 cycles	
Vibration test	Endurance test applying vibration to simulate transportation and use.	10Hz-55Hz, 1.5mm amplitude. 2hrs in each of 3 directions X,Y,Z	3
Static electricity test	Endurance test applying electric static discharge.	VS=8KV, RS=330kΩ, CS=150pF Ten times	

Note 1: No condensation to be observed.

Note 2: Conducted after 4 hours of storage at 25°C, 0%RH.

Note 3: Test performed on product itself, not inside a container.

Precautions for using LCDs/LCMs

See Precautions at www.newhavendisplay.com/specs/precautions.pdf

Warranty Information

See Terms & Conditions at http://www.newhavendisplay.com/index.php?main_page=terms