

NOTES:

1. MATERIALS AND FINISHES:

- BODY - BRASS, GOLD PLATED (.000030 MIN.) OVER NICKEL (.000080 MIN.)
- COUPLING NUT - STAINLESS STEEL, PASSIVATED
- CONTACT - BRASS, GOLD PLATED (.000050 MIN.) OVER COPPER (.000020 MIN.)
- RETAINING RING - BERYLLIUM COPPER
- INSULATOR - PTFE
- GASKET - SILICONE RUBBER, COLOR: RED

2. ELECTRICAL:

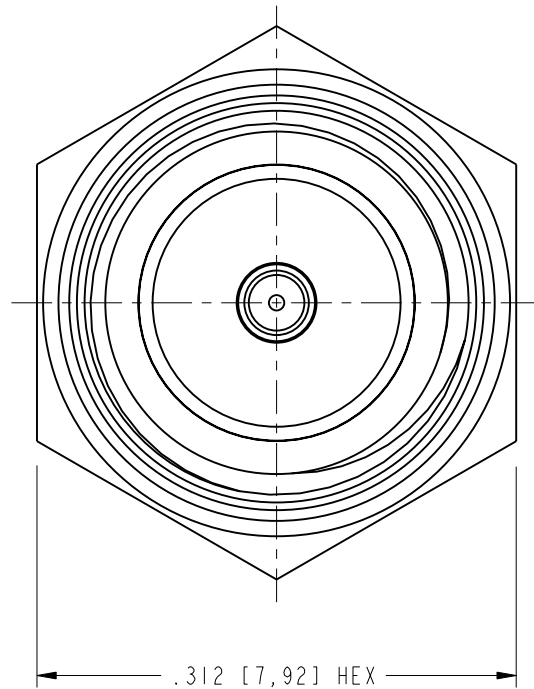
- A. IMPEDANCE = 50 OHM, NOMINAL
- B. FREQUENCY RANGE = DC - 18.0 GHz
- C. VSWR = 1.050 + (.008 X FREQ.)
- D. D.W.V. = 1,000 VRMS MIN.
- E. INSULATION RESISTANCE = 5,000 VRMS MIN.

3. MECHANICAL:

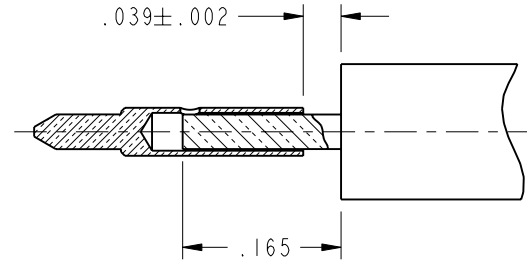
- A. DURABILITY: 500 CYCLES MIN.
- B. TEMPERATURE RANGE: -65° C TO +105° C

4. PACKAGING:

- A. QUANTITY: BULK PACK (50 PER)
- B. CONTACT IS SUPPLIED BULK PACKED (50 PER)
- C. BULK PACK TO BE MARKED: AMPHENOL RF,  
901-10128  
DATE CODE (YYWW)

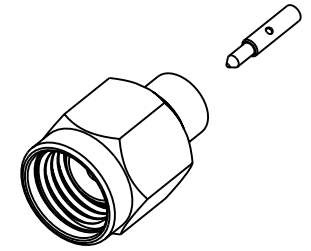


901-10128		REVISIONS			
DRAWING NO.	REV	DESCRIPTION	DATE	ECO	APPR
THIRD ANGLE PROJ.	A	RELEASE TO MFG.	10/24/03	44681	BCG
	B	A) INSULATOR WAS SUPPLIED LOOSE		44742	BCG
	C	SEE ECO.	2/10/04	44762	KJC
	D	CHANGED FROM SINGLE PACK TO BULK PACK	4/29/04	44943	

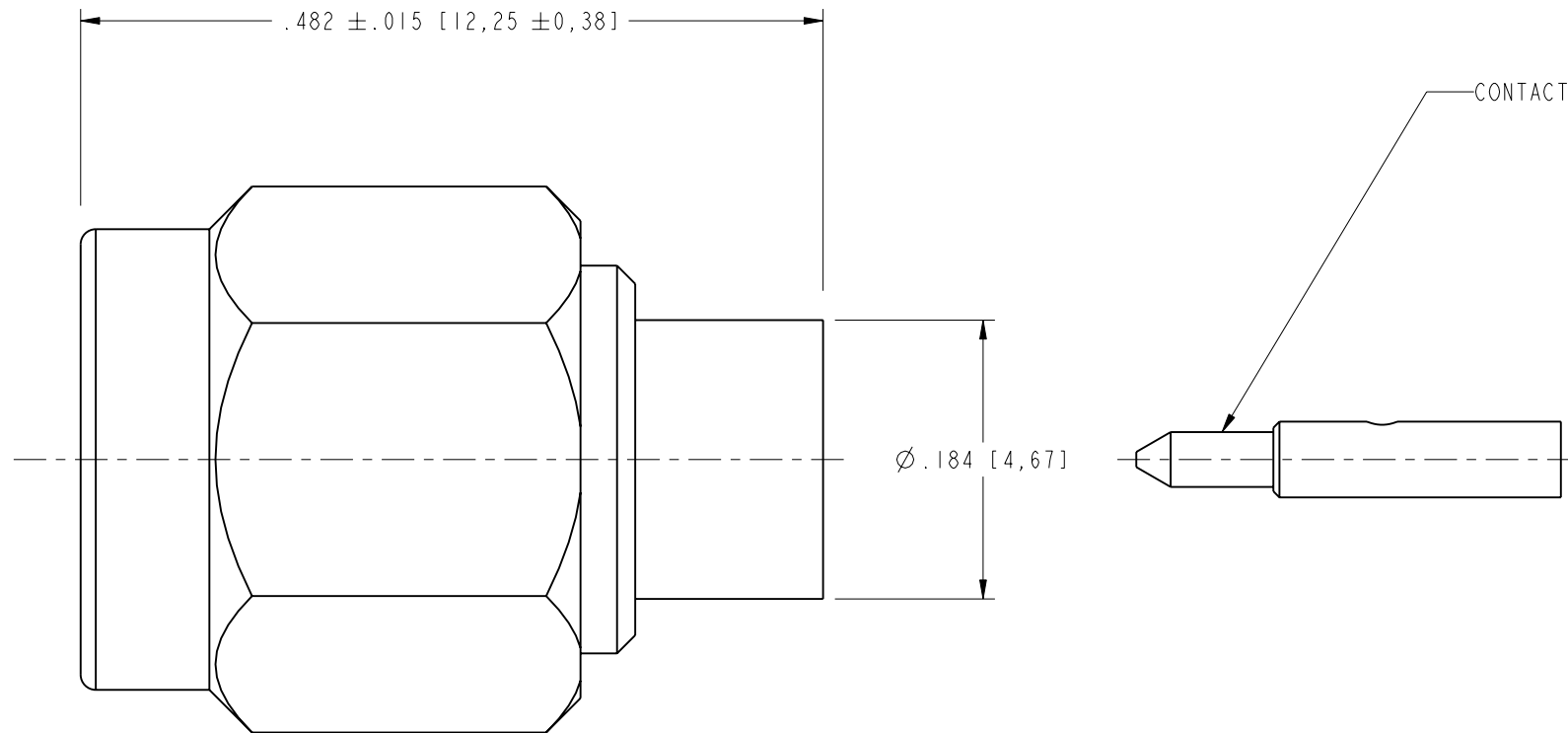


RECOMMENDED CABLE STRIPPING DIMENSIONS

SECTION A-A  
SCALE 5.000



SCALE 2.000



**CUSTOMER OUTLINE DRAWING**  
ALL OTHER SHEETS ARE FOR INTERNAL USE ONLY

UNLESS OTHERWISE SPECIFIED, DIMENSIONS ARE IN INCHES AND TOLERANCES ARE: 2 PLACE DECIMAL ±.015 (0,381 mm) 3 PLACE DECIMAL ±.005 (0,127 mm) ANGLES ± 1°	MATERIAL	DRAWN B.C. GLEISSNER	DATE 23-Oct-03	TITLE SMA PLUG, STRAIGHT, DIRECT SOLDER FOR .141 SRC	<b>Amphenol RF</b> Danbury, CT, USA Tainan, Taiwan Shenzhen, China <a href="http://www.amphenolrf.com">www.amphenolrf.com</a>
	REFERENCE 615X-1844-100 SIMILAR TO: KJ-SMA1181A1-3GT50G-.141-50 EAR# 729 GEN# KJ-SMA1181A1-3GT50G-141-50	ENGINEER B.C. GLEISSNER	DATE 23-Oct-03		
NOTICE - These drawings, specifications, or other data (1) are, and remain the property of Amphenol Corp. (2) must be returned upon request; and (3) are confidential and not to be disclosed to any person other than those to whom they are given by Amphenol Corp. The furnishing of these drawings, specifications, or other data by Amphenol Corp., or to any other person to anyone for any purpose is not to be regarded by implication or otherwise in any manner licensing, granting rights or permitting such holder or any other person to manufacture, use or sell any product, process or design, patented or otherwise, that may in any way be related to or disclosed by said drawings, specifications, or other data.		CAD FILE I:\SMA\901-10128	CODE ID 74868	DWG SIZE B	DRAWING NO. 901-10128
					SCALE: 8.0:1
					REV D