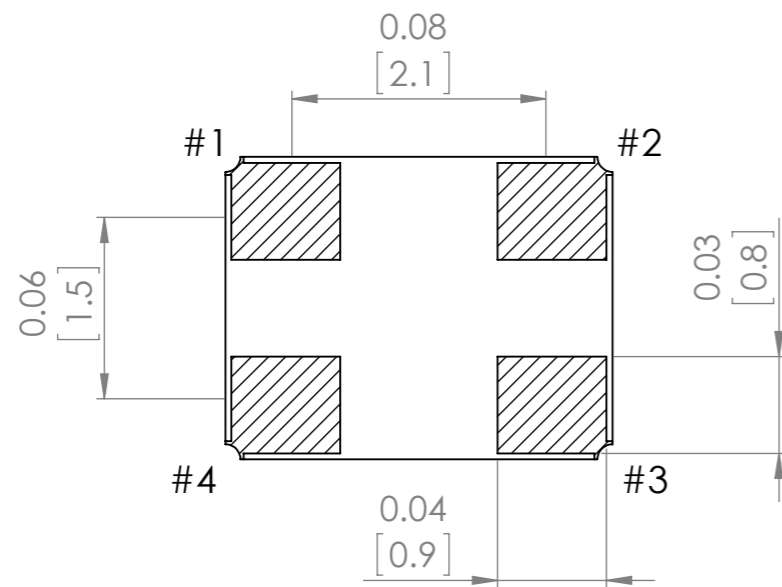
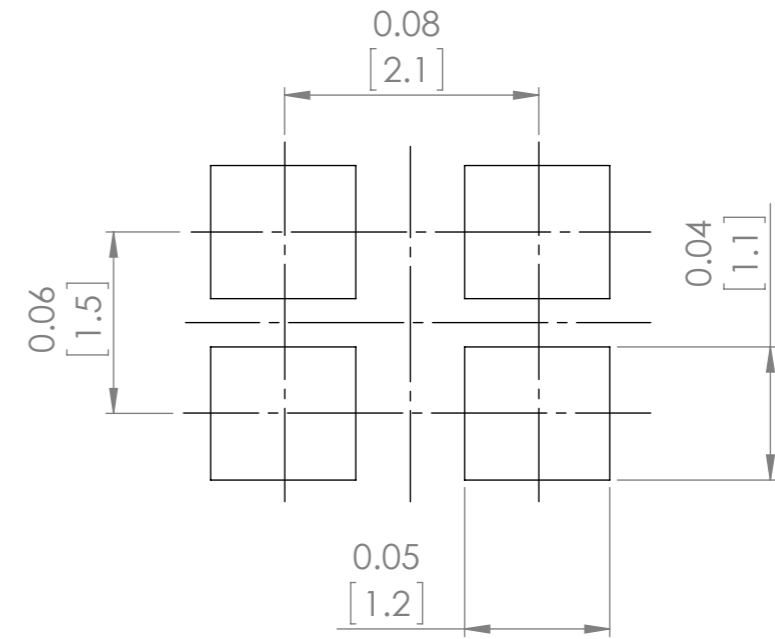
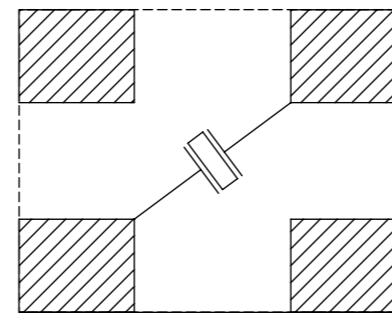


Example of Solder Pattern

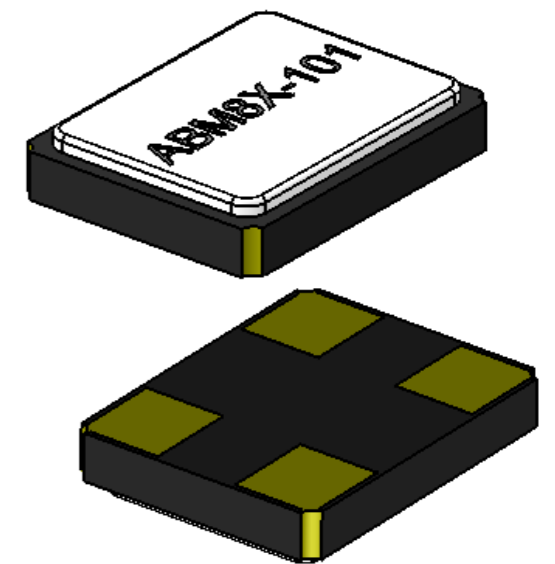


Top View



Pad #2 & #4 connected with the metal cap


Do not design any conductive path between the pattern



Pin Function

- #1 Crystal connection
- #2 GND
- #3 Crystal connection
- #4 GND

TOP PACKAGE MARKING IS FOR ILLUSTRATION PURPOSES ONLY

UNLESS OTHERWISE SPECIFIED: DIMENSIONS ARE IN MM SURFACE FINISH: TOLERANCES: LINEAR: ANGULAR:				FINISH:		DEBUR AND BREAK SHARP EDGES		DO NOT SCALE DRAWING		REVISION -	
DRAWN		NAME		SIGNATURE		DATE		 <p>30332 Esperanza, Rancho Santa margarita, California 92688</p> <p>TITLE: Crystal</p> <p>DWG NO. ABM8X-101</p> <p>SCALE:16:1</p> <p>SHEET 1 OF 1</p>			
CHK'D		SAAZVAT									
APPV'D		XXXXXX									
MFG											
Q.A											
						MATERIAL:		A3			
						WEIGHT:					