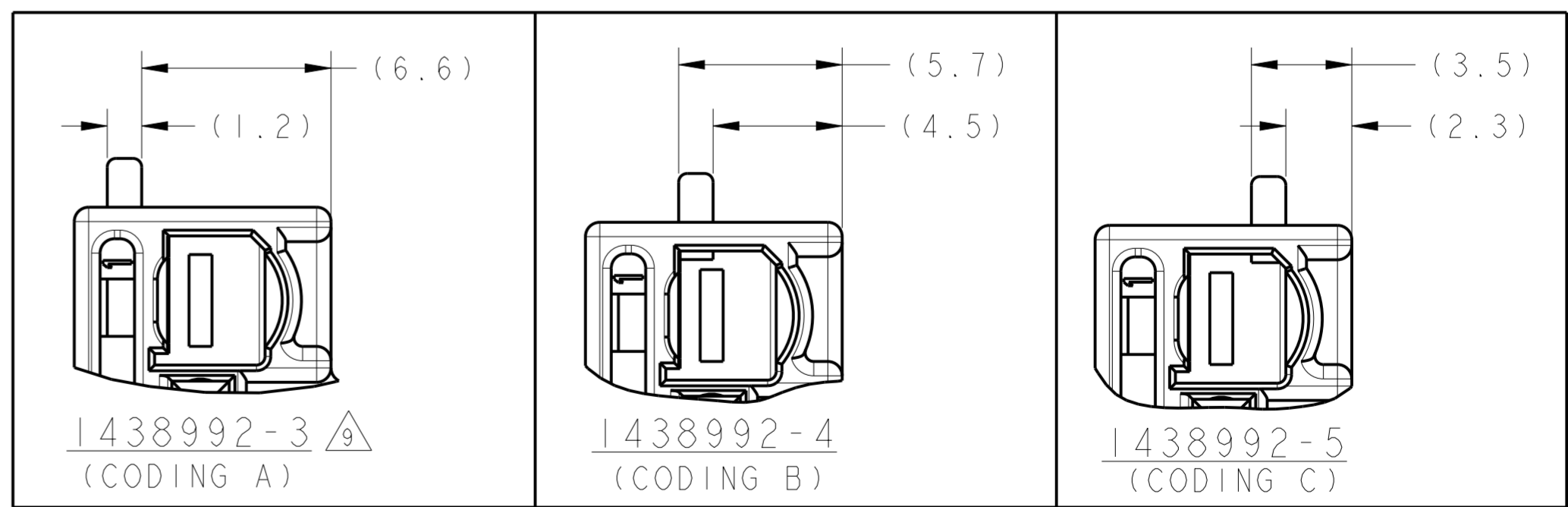
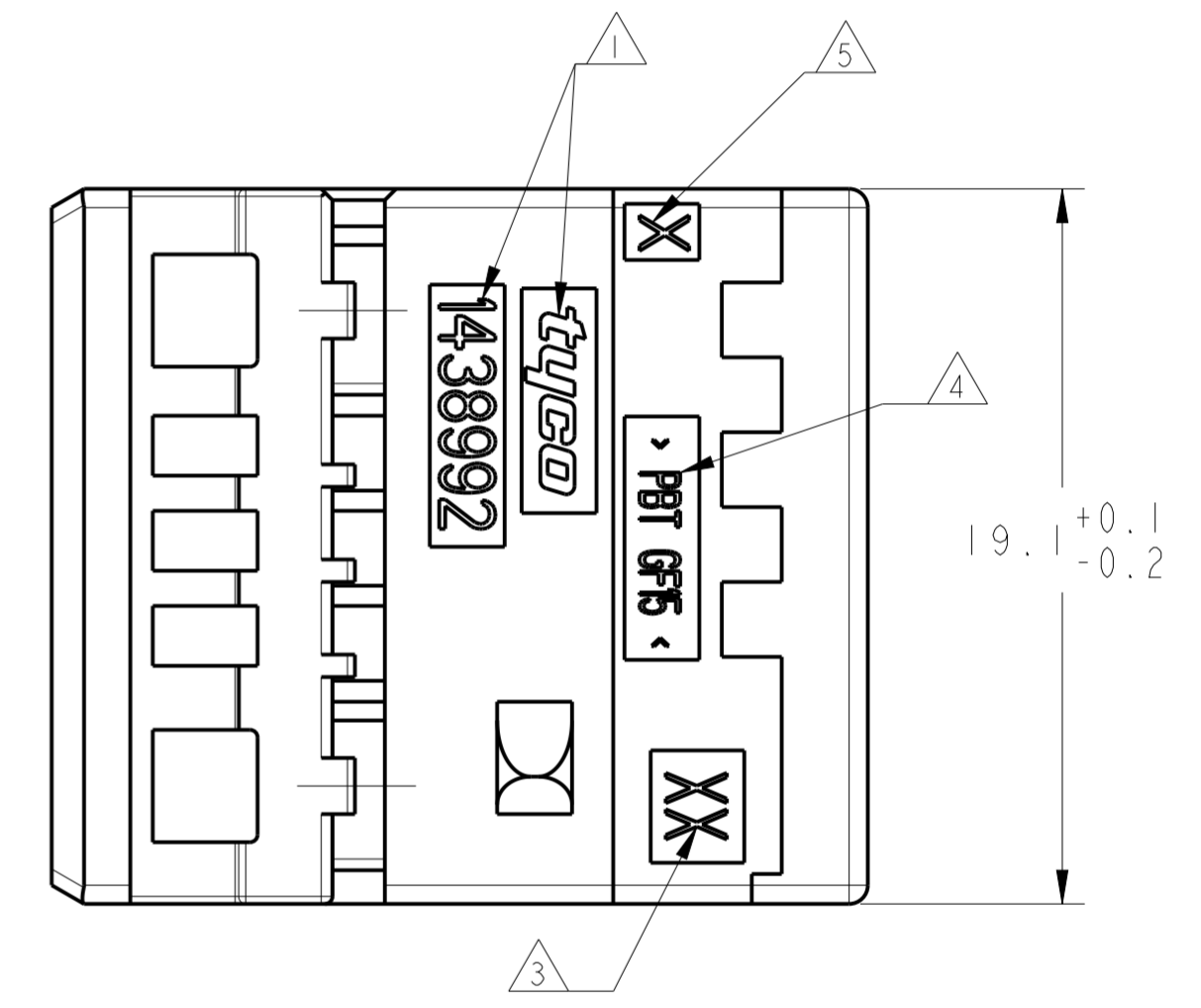
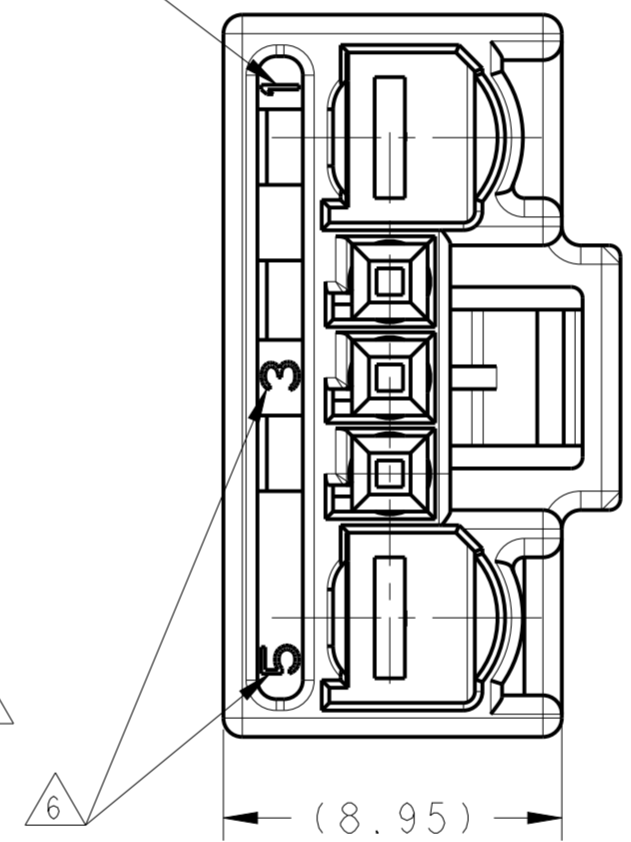
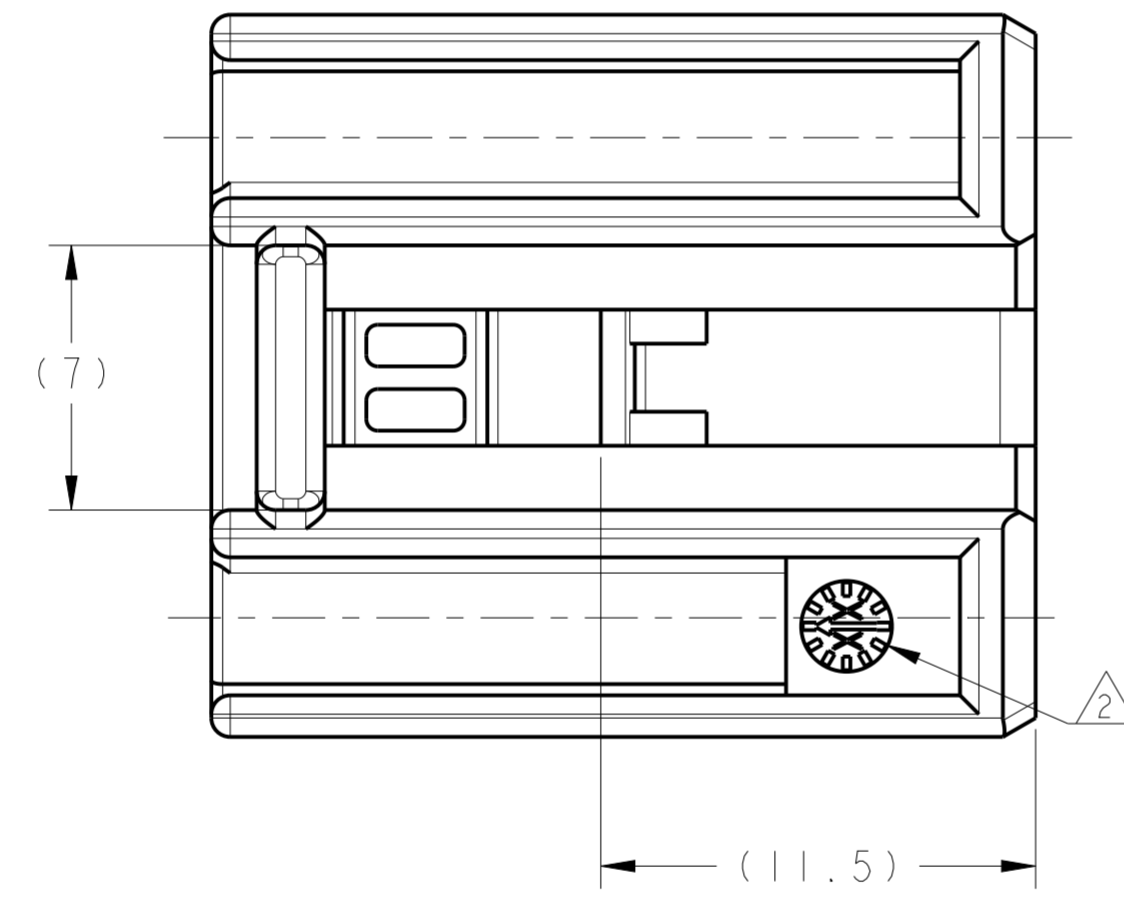
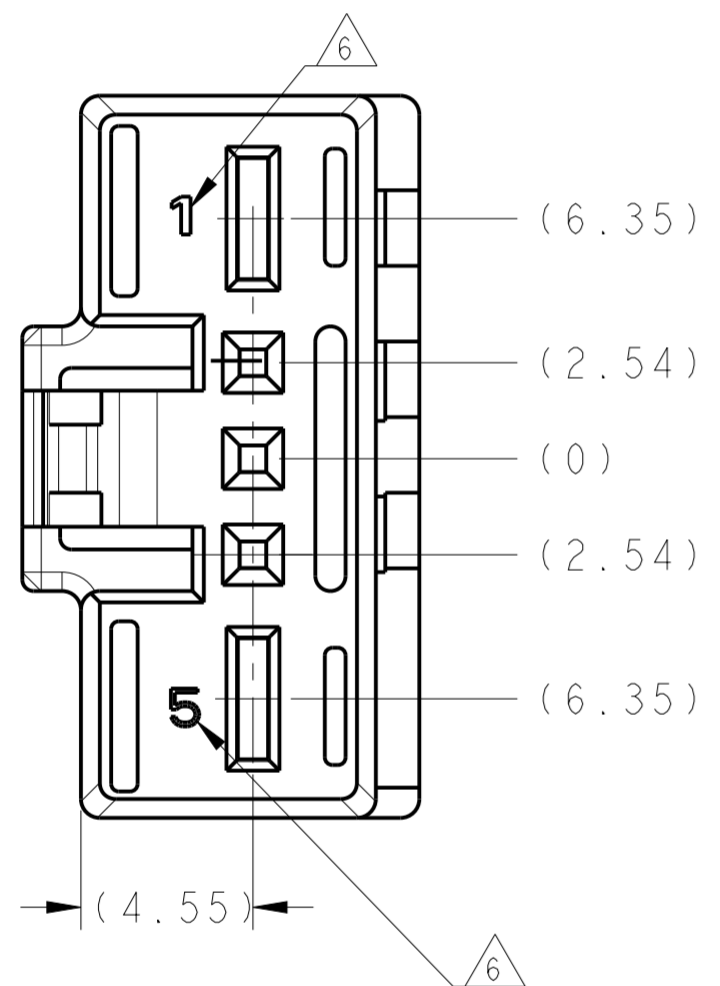
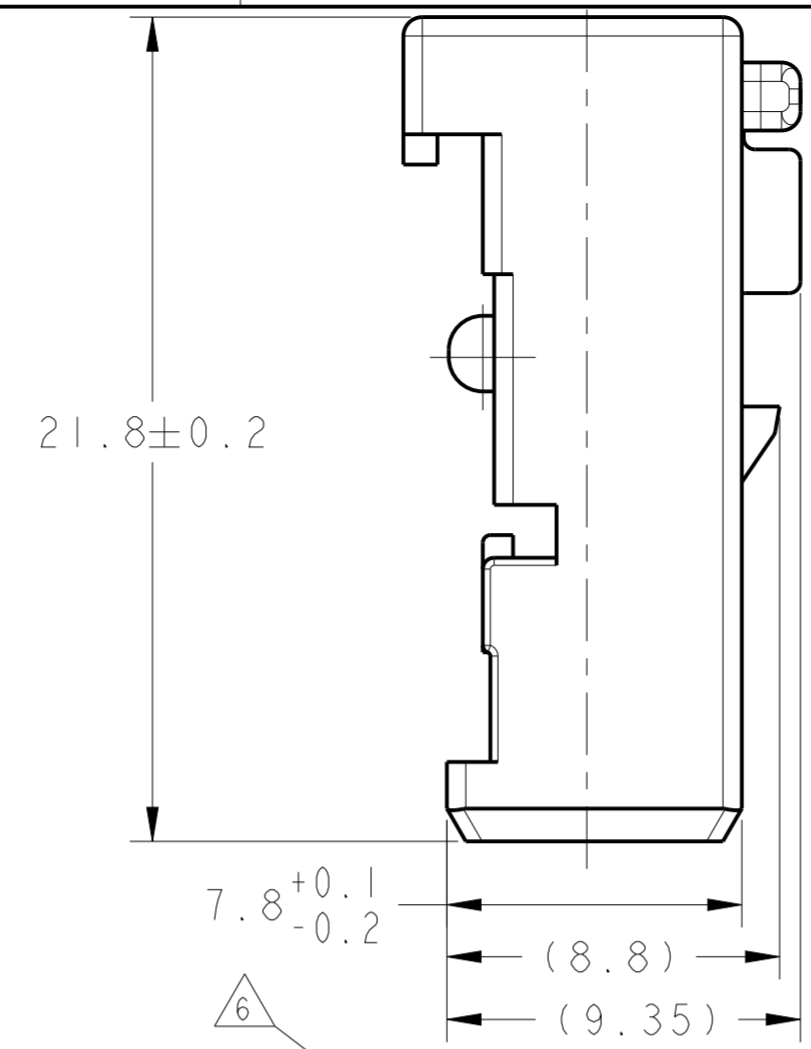


THIS DRAWING IS UNPUBLISHED. RELEASED FOR PUBLICATION 20
 © COPYRIGHT 20 BY - ALL RIGHTS RESERVED.

REVISIONS					
P	LTR	DESCRIPTION	DATE	DWN	APVD
A		REV PER ECR-07-004077, RELEASE -4,-5	22FEB2007	ML	JS
AI		REVISED PER ECO-14-005501	10APR2014	DD	JS

- NOTE(S):
- ① COMPANY LOGO & TE P/N 1438992
 - ② DATE CODE
 - ③ REVISION STATUS OF THE MOLD.
 - ④ MATERIAL IDENTIFICATION
 - ⑤ CAVITY NUMBER
 - ⑥ CIRCUIT IDENTIFICATION
 - 7. FOR THE CONNECTOR INTERFACE, SEE DRAWING 208-15621.
 - 8. CODING Z SHOWN
 - ⑨ PRELIMINARY, NOT RELEASED FOR PRODUCTION.
 - 10. COVER P/N 1379218-2 REQUIRED TO BE USED WITH THIS PART.



C	1438992-5	BLUE	
B	1438992-4	WHITE	
A	1438992-3	BLACK	⑨
NEUTRAL (Z)	1438992-2	WHITE	⑨
	1438992-1	BLACK	
KEY	TE P/N (REF. TE)	COLOR	

THIS DRAWING IS A CONTROLLED DOCUMENT.

DIMENSIONS: mm	TOLERANCES UNLESS OTHERWISE SPECIFIED:	DWN: M. HITCHCOCK 21FEB2005	 TE Connectivity
		CHK: B. BUCHTER 21FEB2005	
		APVD: R. ADAMS 21FEB2005	
		NAME: 5-WAY (MOS 3W + MPQ 2W) SOCKET HOUSING	
MATERIAL: PBT-GF10	FINISH: -	PRODUCT SPEC: 108-15315	RESTRICTED TO: -
		APPLICATION SPEC: -	SCALE: 5:1 SHEET OF 1 REV: AI
		WEIGHT: 1.80g	
		CUSTOMER DRAWING	