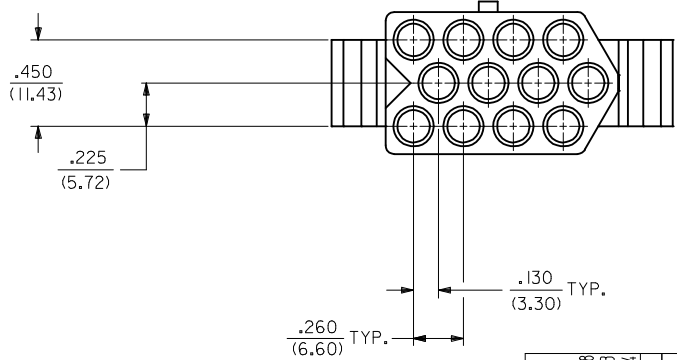


RECEPTACLE 220 I-R

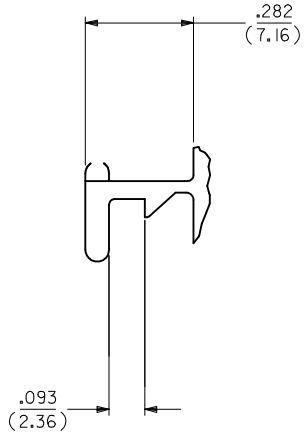


REV	DESCRIPTION	DATE
J	REVISE TOLERANCE	2009/07/08
	EC NO: UCP2010-0015	2009/07/13
	DRWN:ALHAG	2009/07/13
	CHKD:JBELL	2009/07/13
	APPR:FSMITH	2009/07/14

QUALITY SYMBOLS	GENERAL TOLERANCES (UNLESS SPECIFIED)
▽=0	
▽=0	
	ANGULAR ±1/2°
	DRAFT WHERE APPLICABLE MUST REMAIN WITHIN DIMENSIONS

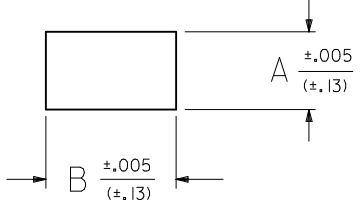
DIMENSION STYLE		SCALE	DESIGN UNITS	THIRD ANGLE PROJECTION
IN/MM		1:1	INCH	
DRAWN BY	DATE	TITLE		
GEP	7/23/87	12 CIRCUIT HOUSING, PLUG AND RECEPTACLE, .125 DIA.		
CHECKED BY	DATE	MOLEX INCORPORATED		
RW	7/23/87	SD-2201-*		
APPROVED BY	DATE	SHEET NO.		
RAS	7/23/87	2 OF 3		
MATERIAL NO.	DOCUMENT NO.	THIS DRAWING CONTAINS INFORMATION THAT IS PROPRIETARY TO MOLEX INCORPORATED AND SHOULD NOT BE USED WITHOUT WRITTEN PERMISSION		
SEE CHART	SD-2201-*			

PLUG			RECEPTACLE		
PART NO.	ENG. NO.	DESCRIPTION	PART NO.	ENG. NO.	DESCRIPTION
03-12-2121	2201-P	PLUG WITH STANDARD EARS (DETAIL 1)	03-12-1121	2201-R	RECEPTACLE WITH STANDARD EARS (DETAIL 1)



DETAIL 1
STANDARD MOUNTING EAR
SCALE 4:1

MOUNTING PANEL OPENING		
HOUSING	DIM. "A"	DIM. "B"
PLUG	.855/(21.72)	1.460/(37.08)
RECEPTACLE	.810/(20.57)	1.360/(34.54)



NOTES:

- 1) MATERIAL: NYLON TYPE 6/6, 94V-2, NATURAL.
- 2) FINISH: N/A
- 3) PRODUCT SPECS: NONE.
- 4) PACKAGING SPECS: BULK PACK PER PK-2201-001.
- 5) FOR USE WITH .125/(3.18) DIA. SERIES TERMINALS.
- 6) MAXIMUM PANEL THICKNESS .090/(2.29).

ADD NOTES 2, 3&4 EC NO: UCP2007-0022 DRW: NAE/HAG 2006/07/21 CHK: DLS/SCHMIDT 2006/07/21 APPR: FSM/LTH 2006/07/21	DESCRIPTION REV:	QUALITY SYMBOLS ▽=0 ▽=0	GENERAL TOLERANCES (UNLESS SPECIFIED)		DIMENSION STYLE IN/MM	SCALE 1:1	DESIGN UNITS INCH	THIRD ANGLE PROJECTION		
		4 PLACES ± --- ± --- 3 PLACES ± --- ± .010 2 PLACES ± 0.25 ± .014 1 PLACE ± 0.35 ± ---	mm INCH ± --- ± --- ± .010 ± .014 ± ---	DRAWN BY GEP	DATE 7/23/87	TITLE 12 CIRCUIT HOUSINGS, PLUG AND RECEPTACLE, .125 DIA.				
		ANGULAR ± 1/2°		CHECKED BY RW	DATE 7/23/87	MOLEX INCORPORATED				
		DRAFT WHERE APPLICABLE MUST REMAIN WITHIN DIMENSIONS		APPROVED BY RAS	DATE 7/23/87	MATERIAL NO. SEE CHART	DOCUMENT NO. SD-2201-*	SHEET NO. 3 OF 3		