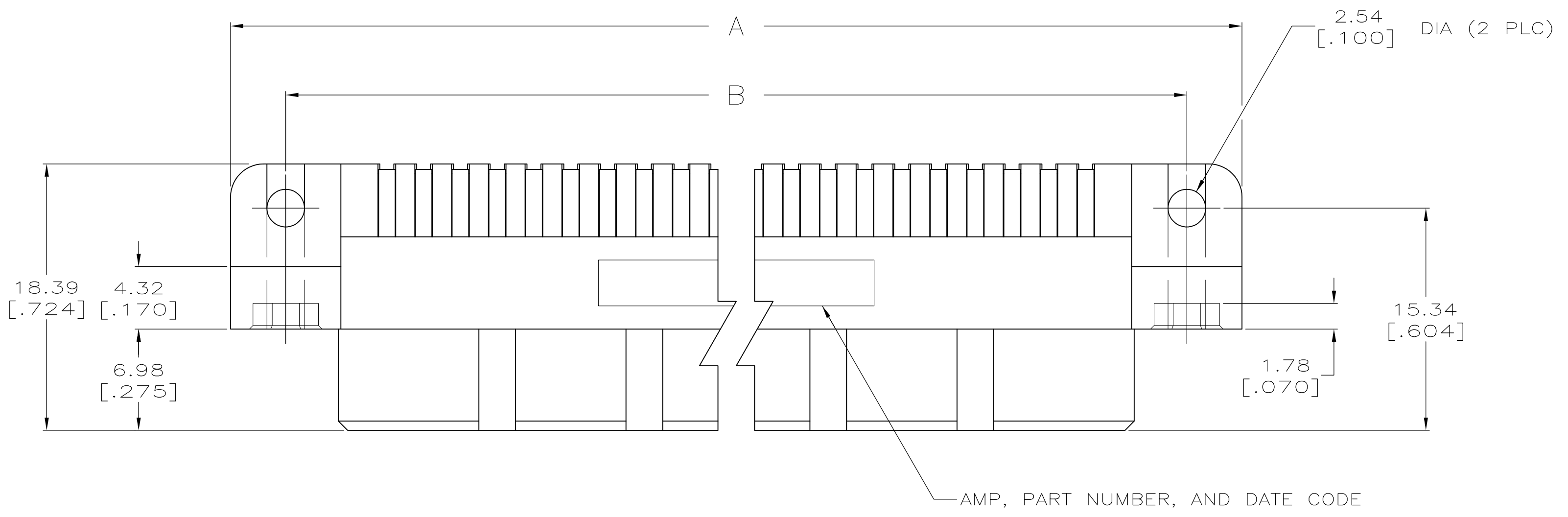
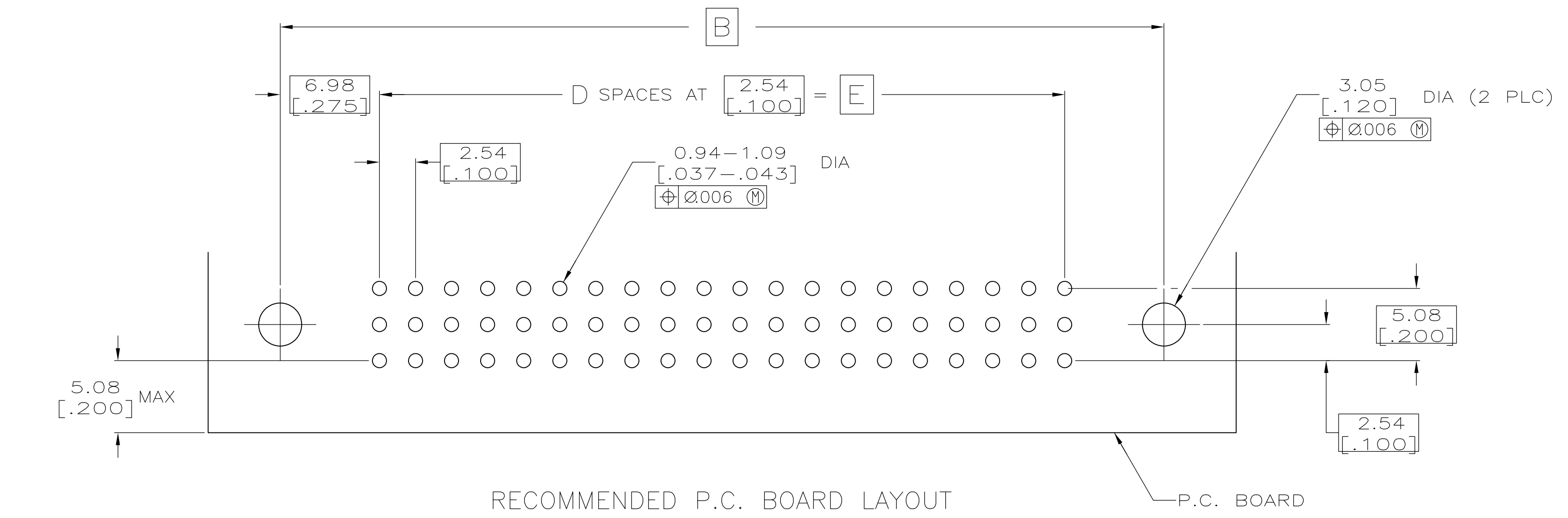
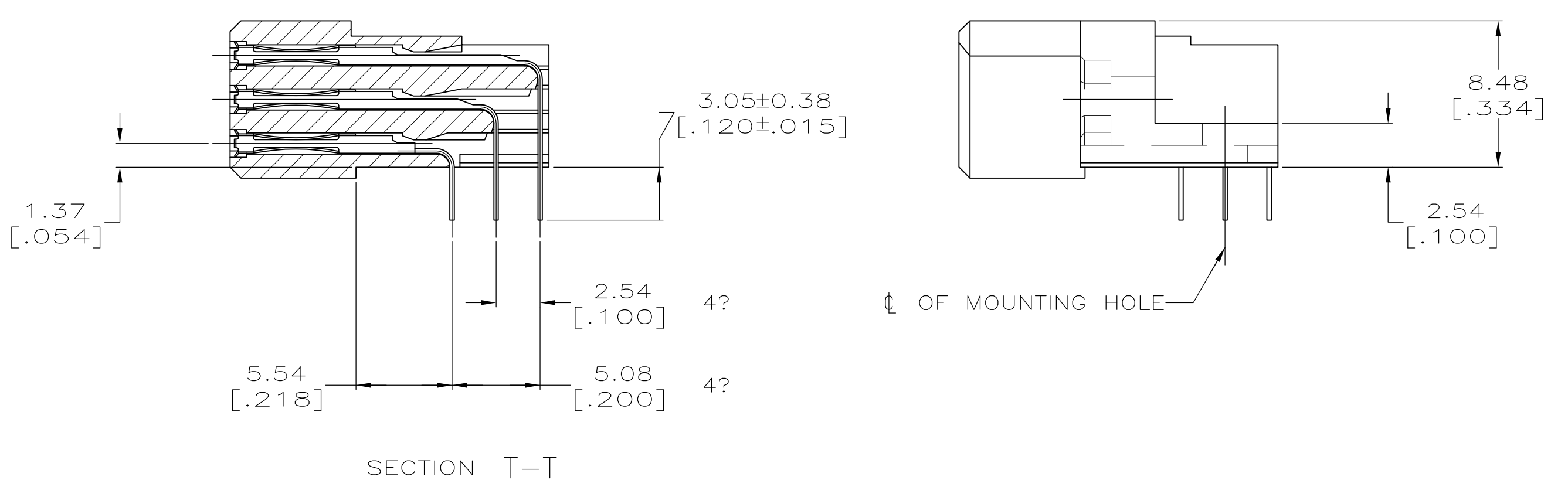
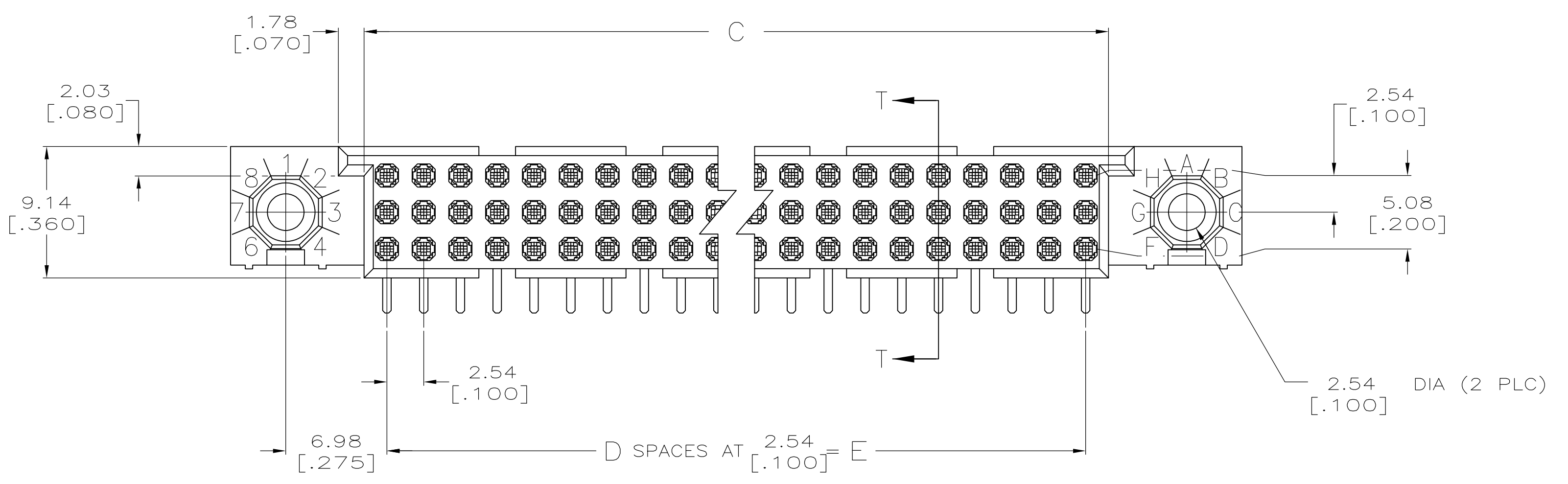


REVISIONS					
P	LTR	DESCRIPTION	DATE	OWN	APVD
C		REVISED PER ECO-15-015252	13NOV15	BJ	FY



- ① HOUSING MATERIAL: THERMOPLASTIC, COLOR-NATURAL.
- ② CONTACT MATERIAL: COPPER ALLOY.
- ③ FINISH:  
MATING AREA: MEETS THE PERFORMANCE REQUIREMENTS OF PRODUCT SPECIFICATION 108-9063; BASED ON TELCORDIA DR-1217-CORE APPLICATIONS IN UNCONTROLLED ENVIRONMENTS.  
SOLDER TAILS AREA: TIN-LEAD PLATED.
- ④ SOLDER TAILS MUST FIT HOLE PATTERN AS SHOWN ON THE RECOMMENDED P.C. BOARD LAYOUT.
- 5. DIMENSIONS IN BRACKETS ARE IN INCHES.
- ⑥ HOUSINGS WITH CENTER MOUNTING IS RECOMMENDED FOR ASSEMBLIES HAVING 75 CONTACTS PER ROW OR MORE.



OBSOLETE	175.26 [6.900]	69	178.41 [7.024]	189.23 [7.450]	196.85 [7.750]	210	650809-3
	149.86 [5.900]	59	153.01 [6.024]	163.83 [6.450]	171.45 [6.750]	180	650809-2
OBSOLETE	60.96 [2.400]	24	64.11 [2.524]	74.93 [2.950]	82.55 [3.250]	75	650809-1
	E	D	C	B	A	POSN	

THIS DRAWING IS A CONTROLLED DOCUMENT. DIN R. LEE 08-12-92  
CHK: G. SKIPPER 10/23/92

TE Connectivity

NAME: HDI, 3 ROW, RECEPTACLE ASSEMBLY, 3.05 [.120] LONG SOLDER TAILS

SIZE: A1 CAGE CODE: 00779 DRAWING NO: 650809

SCALE: 4:1 SHEET: 1 OF 1 REV: C