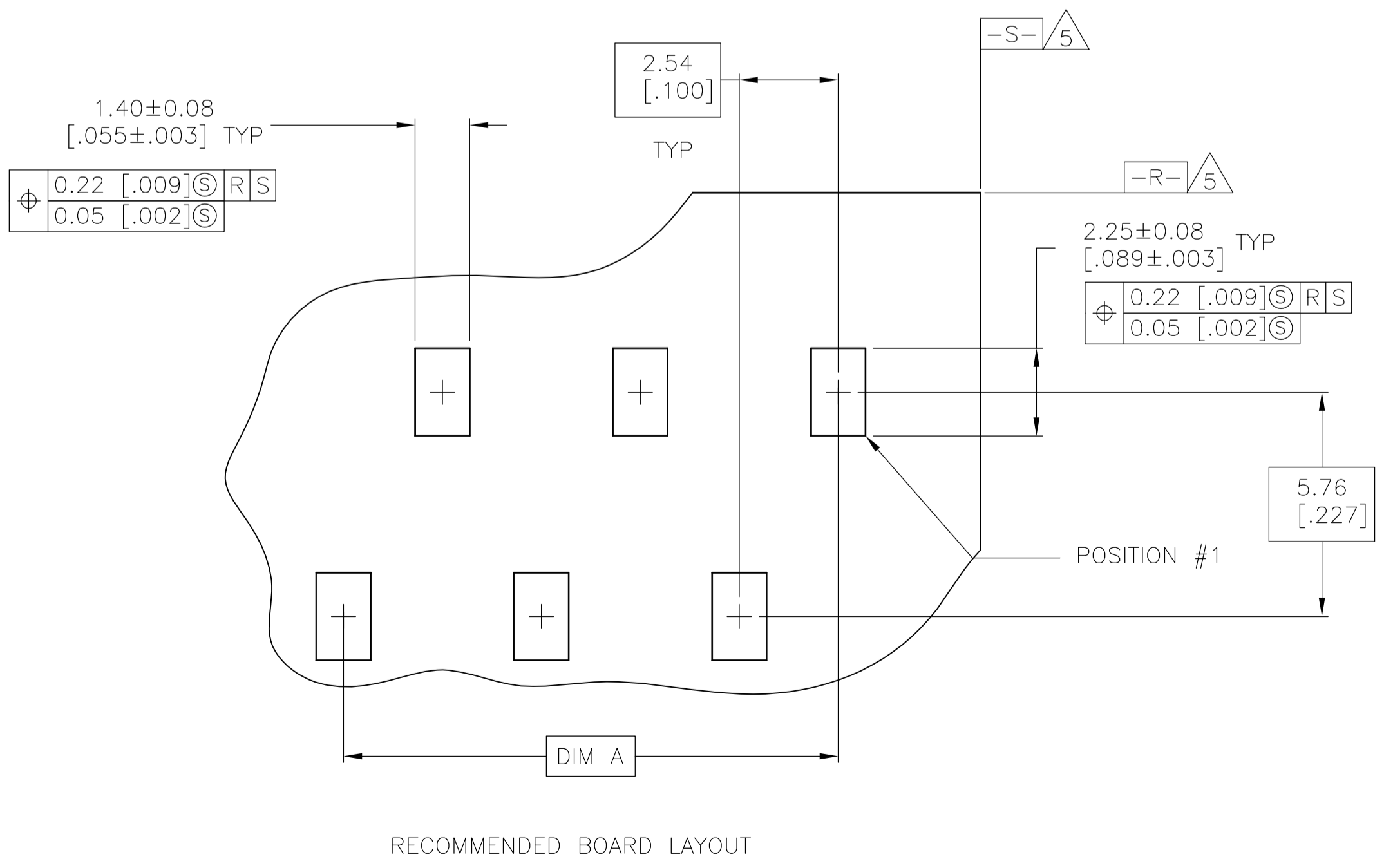
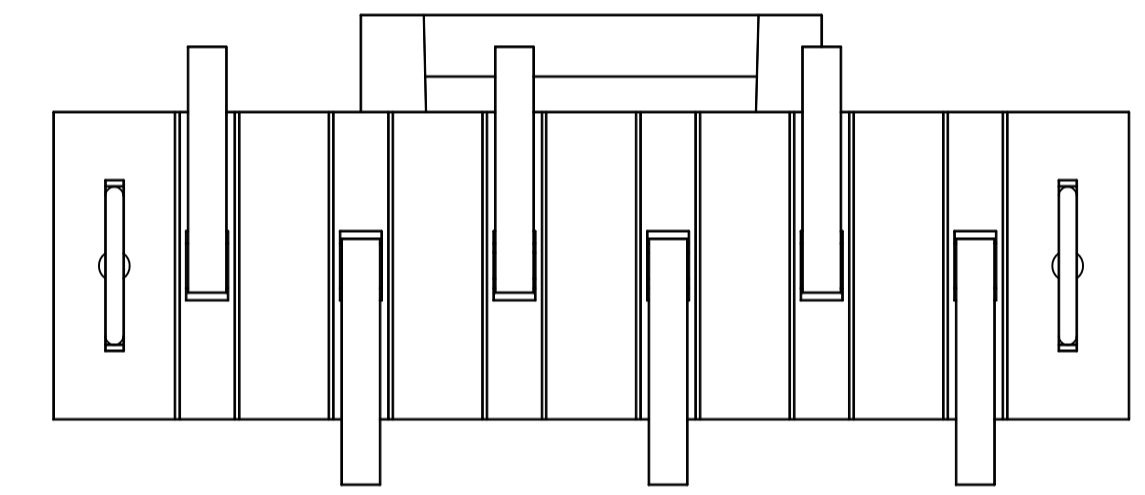
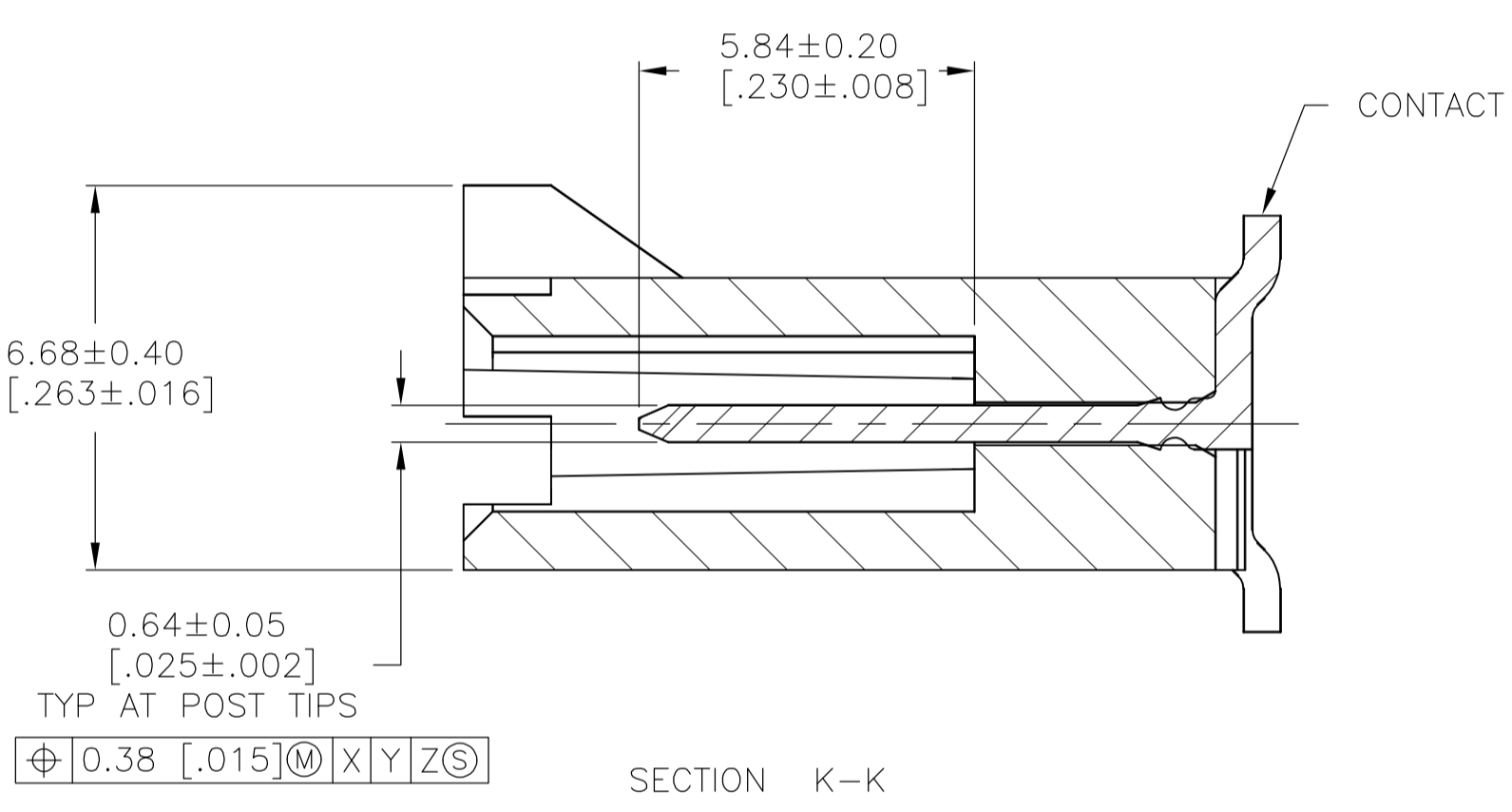
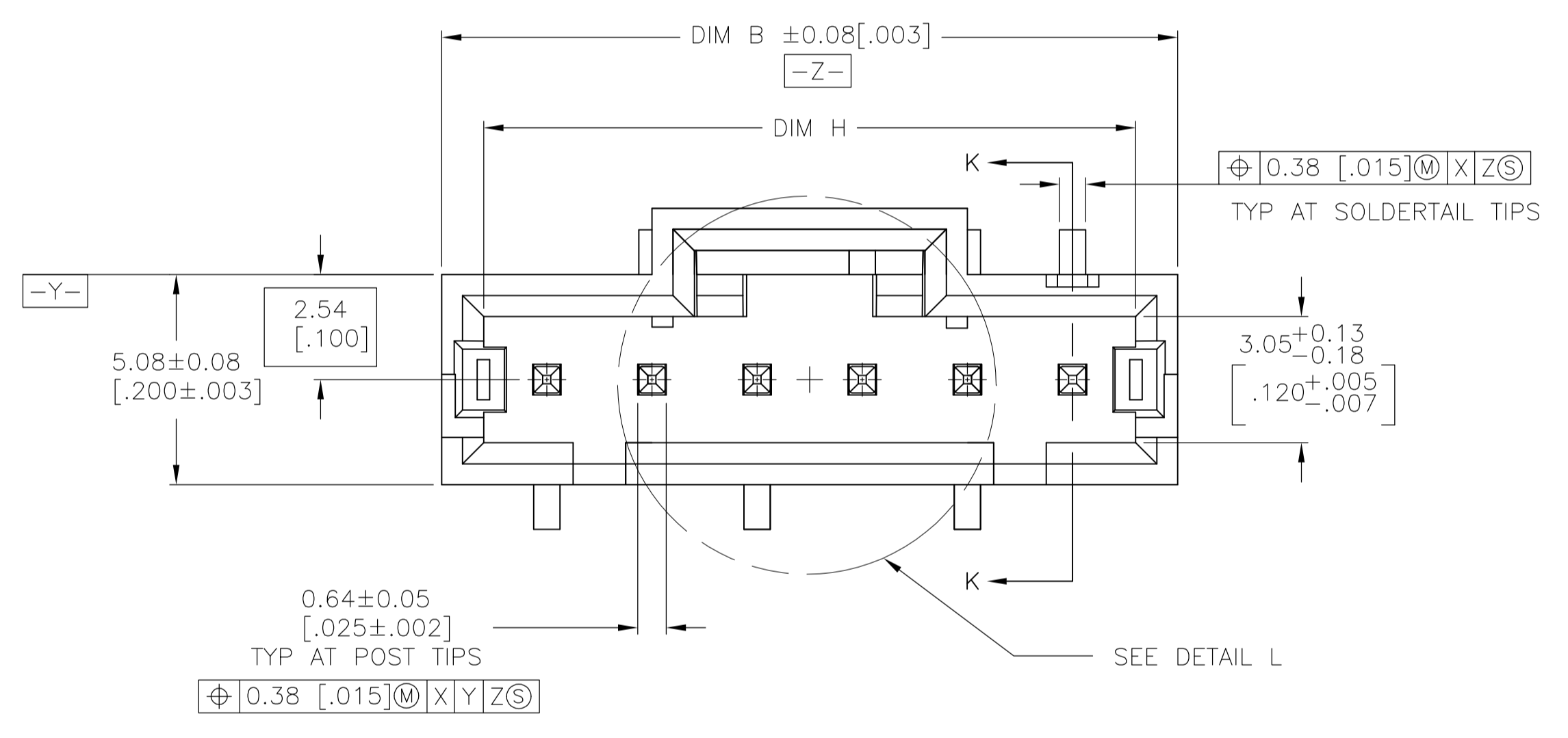


1. PACKAGE: TUBES
2. MATERIAL: HOUSING- HIGH TEMPERATURE THERMOPLASTIC, COLOR - BLACK, CONTACTS- BRASS
3. FINISH: CONTACTS: 0.00254[.0001] BRIGHT TIN-LEAD OVER 0.00127[.00005] NICKEL
4. CIRCUIT POSITION #1 IDENTIFICATION MARK
5. DATUMS ARE ESTABLISHED BY CUSTOMER
6. FINISH: CONTACTS: 0.00254[.0001] MATTE TIN OVER 0.00127[.00005] NICKEL
7. PRELIMINARY PART - NOT RELEASED FOR PRODUCTION



6	19	51.31 [2.020]	53.34 [2.100]	48.26 [1.900]	20	5-1825573-3
6	17	48.77 [1.920]	50.80 [2.000]	45.72 [1.800]	19	5-1825573-2
3	19	51.31 [2.020]	53.34 [2.100]	48.26 [1.900]	20	1825573-3
3	17	48.77 [1.920]	50.80 [2.000]	45.72 [1.800]	19	1825573-2
3	10	28.45 [1.120]	30.48 [1.200]	24.50 [1.000]	11	1825573-1
	FINISH	POST NO. OMITTED	H	B	A	NO. OF POSN PART NUMBER

THIS DRAWING IS A CONTROLLED DOCUMENT.

DIMENSIONS: mm [INCHES]	TOLERANCES UNLESS OTHERWISE SPECIFIED:	DIN R BROWN 06MAR2006	APVD J GEFSEFORD 06MAR2006	NAME AMPMODU MTE SURFACE MOUNT, VERTICAL HEADER ASSEMBLY
0. PLC ± -	1. PLC ± -	2. PLC ± 0.13 [0.005]	3. PLC ± -	4. PLC ± -
MATERIAL: SEE TABLE		FINISH: SEE TABLE	WEIGHT: -	SIZE: A1
CUSTOMER DRAWING		SCALE: 8:1	SHEET: 1 OF 1	REV: A