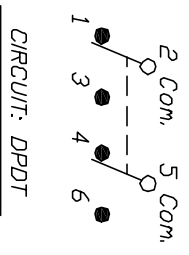


RECOMMENDED PANEL MOUNTING



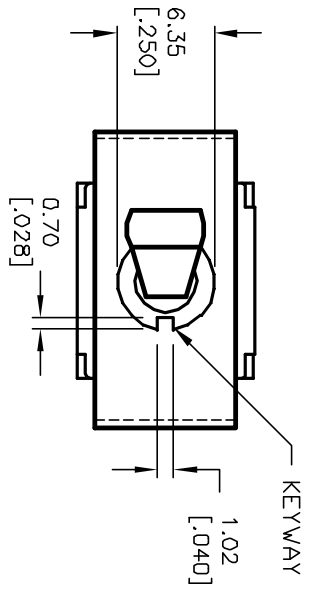
CIRCUIT: DPDT

SWITCH FUNCTION			
PDS. 1	PDS. 2	PDS. 3	
<DN>	DFF	<DN>	
2-3,5-6	2-3,5-4	2-1,5-4	

()=Momentary

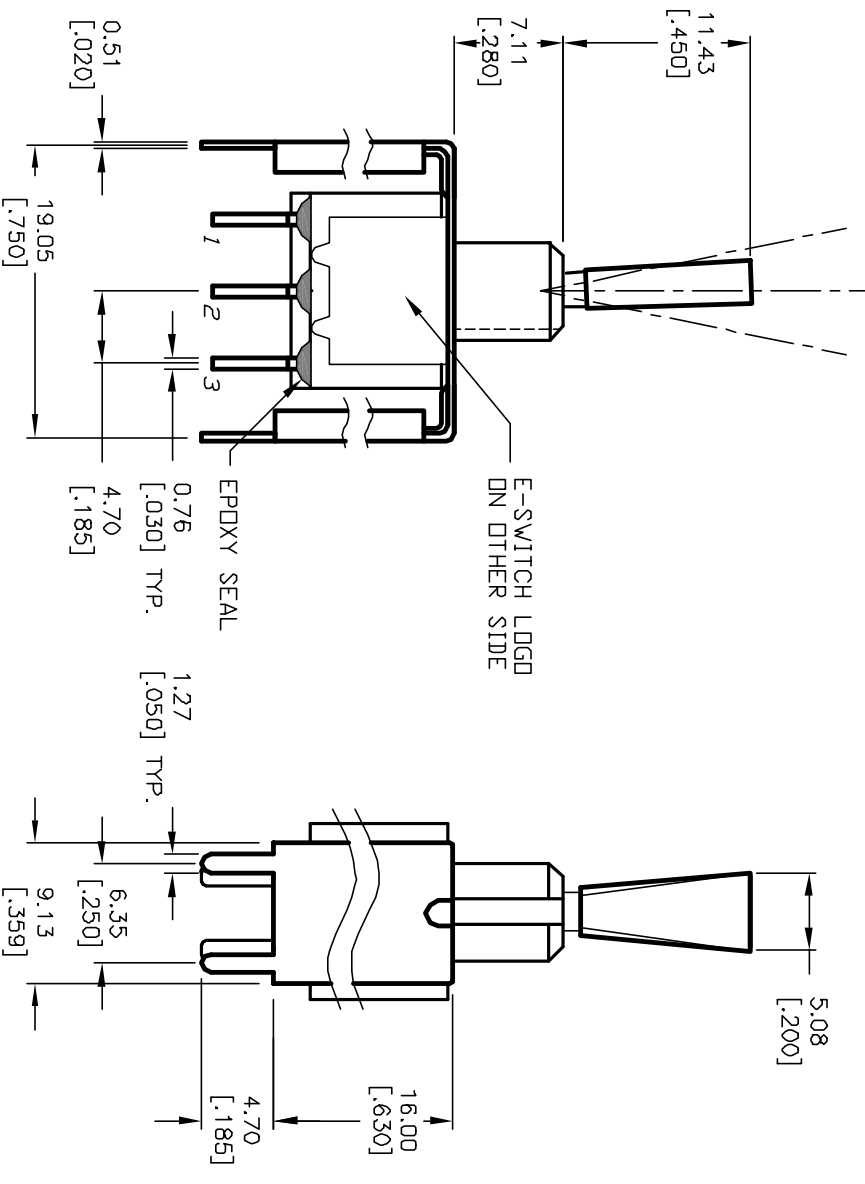
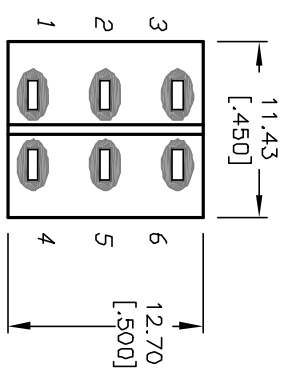
NOTES:

1. ALL DIMENSIONS IN MM [INCH]
2. GENERAL TOLERANCE: X.X=±0.4
X.XX=±0.25
3. TERM. NDS. FOR REF. ONLY
4. RATING: 5A @120VAC OR 28VDC;
2A @250VAC
5. FIXED TERM. & MOVING CONTACT:
Copper Alloy w/Silver Platte.
6. ELECTRICAL LIFE: 50,000 make-and-break
cycles at full load.
7. INSULATION RESISTANCE: 1,000M ohm min.
8. DIELECTRIC STRENGTH: 1000V RMS @sea level
9. OPERATING TEMP.: -30°C to 85°C



PDS. 1
PDS. 2
PDS. 3

BOTTOM VIEW
CROPPED FOR
CLARITY



E-SWITCH®

100 DP-4 T6 B12 VSS Q E

REV.	ECN No.	DESCRIPTION	DATE	CHKD
A	12364	RELEASED FOR PRODUCTION	6/19/02	CJB

TITLE	SCALE	DATE	DR	DWG	REV
100 DP-4 T6 B12 VSS Q E	2:1	6/19/02	CJB	T124029	A

THE INFORMATION CONTAINED IN THIS DOCUMENT IS PROPRIETARY TO E-SWITCH AND IS NOT TO BE COPIED OR TRANSFERRED