

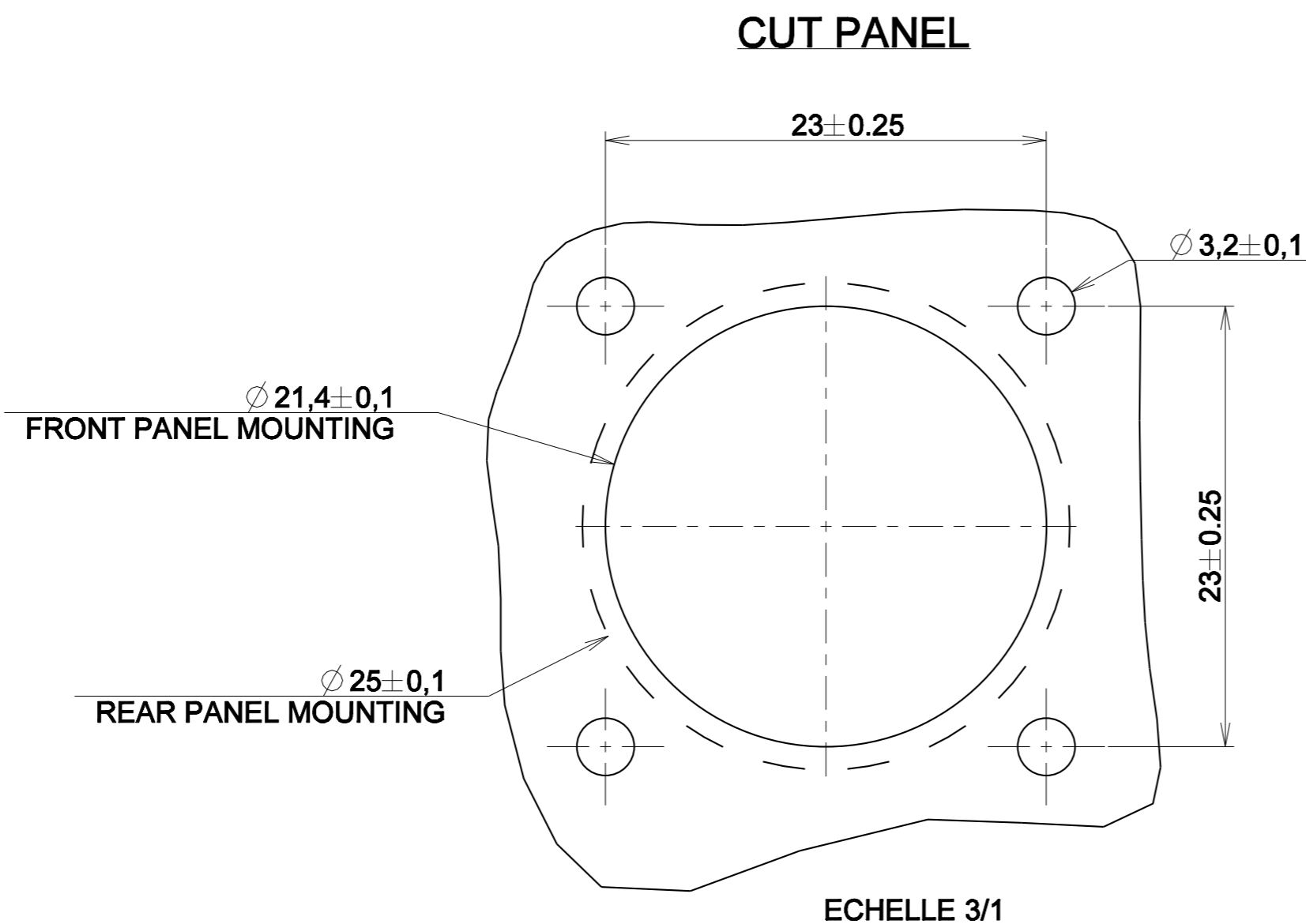
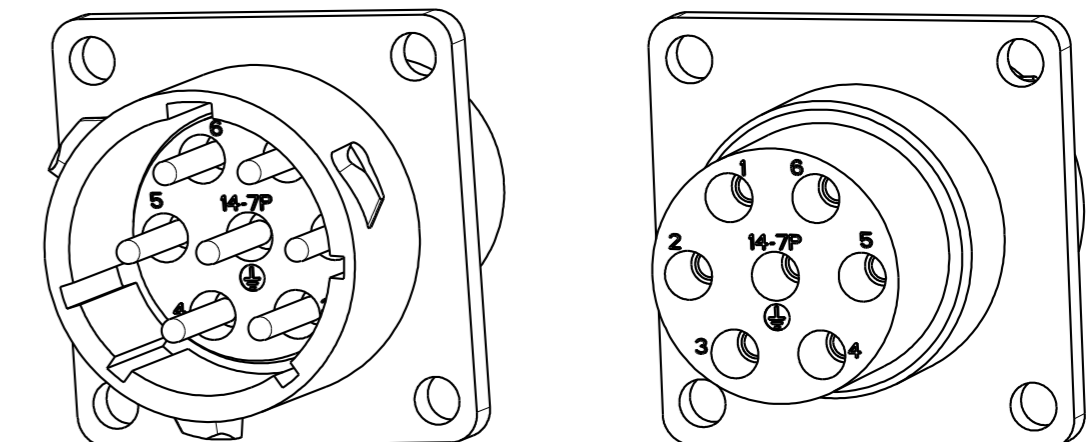
MATERIAL :
Shell: Polyamid UL94 V-0
Seal gasket : FPM

PERFORMANCE CHARACTERISTICS :

Operating temperature: -40° C up to 105° C
Insulation resistance: 5000 MΩ min
Test potential: 2000 Vrms for #16 layout
Corrosion salt spray: 500 hours
Durability: 250 matings and unmatings
Sealing in mated conditions:
-IP68 1 bar during 1 week : immersion under 10 m of water. (IEC 60529)
-IP69K : exposure to high pressure water of cleaning equipment (DIN 40050)

NOTES :

- 1-Contact #16 must be ordered separately : refer to TRIM TRIO catalog
- 2-Earth contact is a first mate last break contact



P/N : UTS0147P

C		17/12/2010		TOLERANCES UPDATE			
ISS	DATE	Latest modification - by:		RAGAINÉ M.		MOD N°	
Designed by:		RAGAINÉ M.		Date: 07/05/10		CUSTOMER DRAWING	
TITLE		RECEPTACLE TYPE 0 SIZE 14 LAYOUT 7 CTS					
		UTS CONNECTOR					
Scale	2/1	General linear Tolerances: ± 0,2		NPRDS / PROJECT IC101602A			
SOURIAU Connection Technology		WWW.SOURIAU.COM				This document is the property of SOURIAU. It must not be reproduced or communicated without permission.	
FORMAT	A2	SOURIAU DRG N° C119-UTS1-A				SHEET 1 / 1	
						NOT EXPORT CONTROLLED	