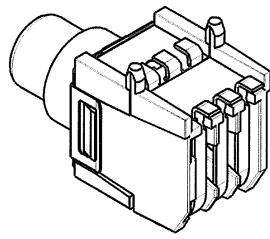
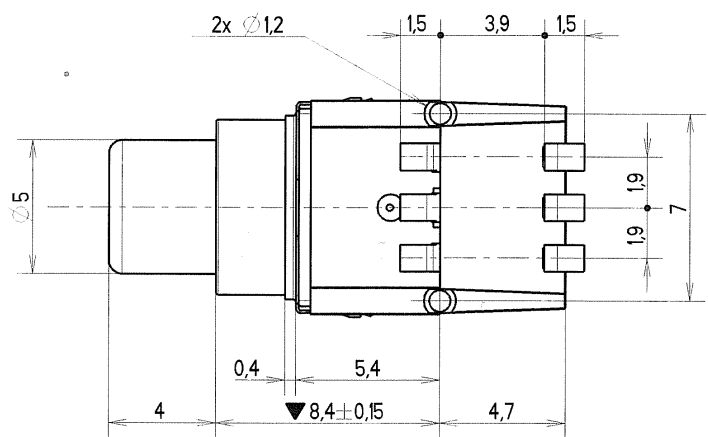
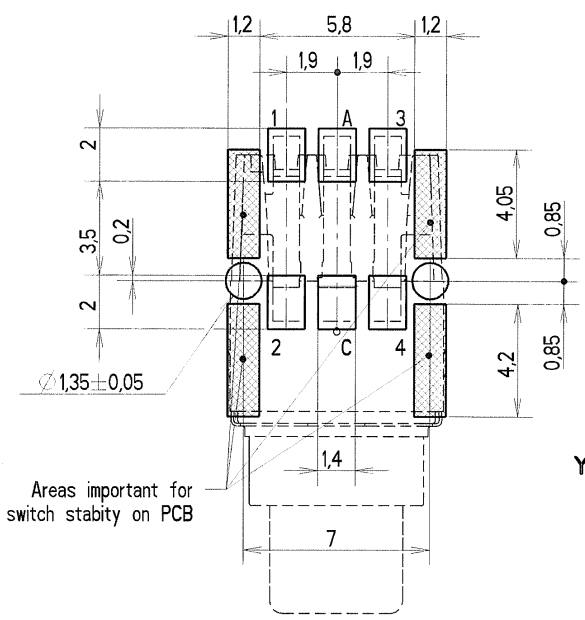


1  
2  
3

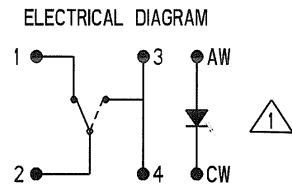


SCALE 3

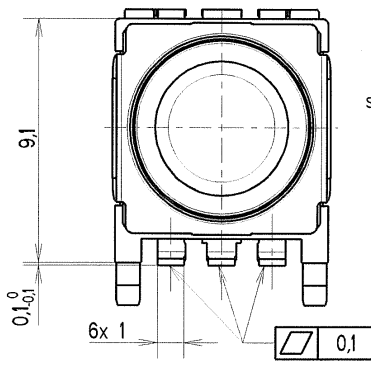
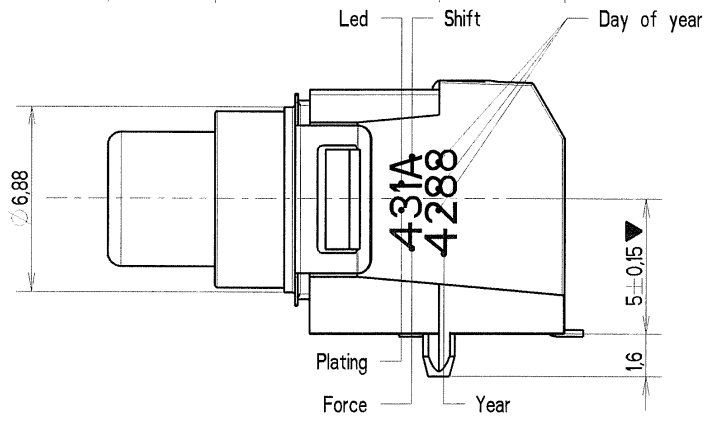
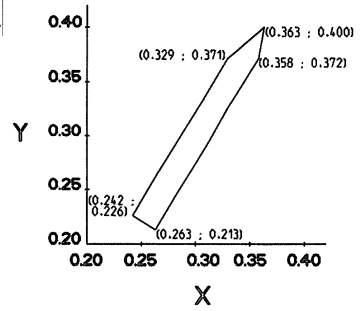
RECOMMENDED PCB LAYOUT ( WITH HOLES )  
TOP VIEW



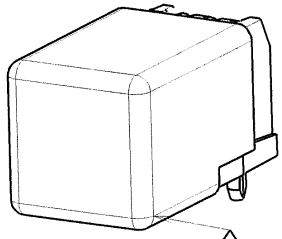
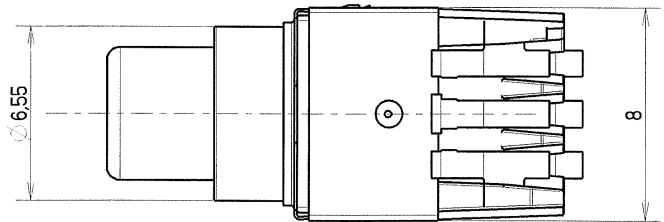
Areas important for switch stability on PCB



CHROMATICITY COORDINATES



NOTE :   
 1 Be careful for this version : static electricity can damage the LED.  
 2 For product characteristics , see product specification PS-K5V-033.  
 3 Delivered with a protector for Lead Free reflow sheet processes.



SCALE 3

PART NUMBER	DESIGNATION	CODE	LED COLOR	TEST CONDITIONS (mA)	LUMINOUS INTENSITY ( mcd ) Min. / Typ. / Max. I <sub>f</sub> : 20 mA	MAX VOLTAGE (V)	MAX CURRENT (mA)	INTERNAL CONTACTS PLATING	SMT TERMINAL PLATING
71 243 191 FP	K5V1WS43G	439	WHITE	20	110 / 220 / 320	4	30	Au	Au

MATIERE	TRAITEMENT	PROTECTION
SAUF INDIQUE : -COTES DONNEES AVANT PROTECTION -BAVURES ET ARETES VIVES SUPPRIMEES	TOL. LINEAIRE ± 0,1 TOL. ANGULAIRE ± 1° ETAT DE SURFACE Ra	DIMENSIONS CRITIQUES ▼ 2 DIMENSIONS SPC ▼ 0
DESSINE MONNET J. DATE 06/07/2009	ANALYSE N TAB. FAM N PRO/E 0	LANGAGE E
VERIFIE DATE	APPROUVE KUBAT L. DATE 07/07/2009	REPLACE
 C&K Components		DESIGNATION K5V 1WS 43G
PROJECTION 1ER DIEDRE	ECHELLE 5,000	NUMERO 71 243 191 FP
TAILLE A3	FEUILLE 1 / 1	REV

SYSTEM CONFIDENTIAL

BP 359 - 39105 Dole - FRANCE -

CE PLAN EST LA PROPRIETE DE C&K. COMPOSANTS SAS ET NE PEUT ETRE REPRODUIT OU COMMUNIQUE SANS SON AUTORISATION.