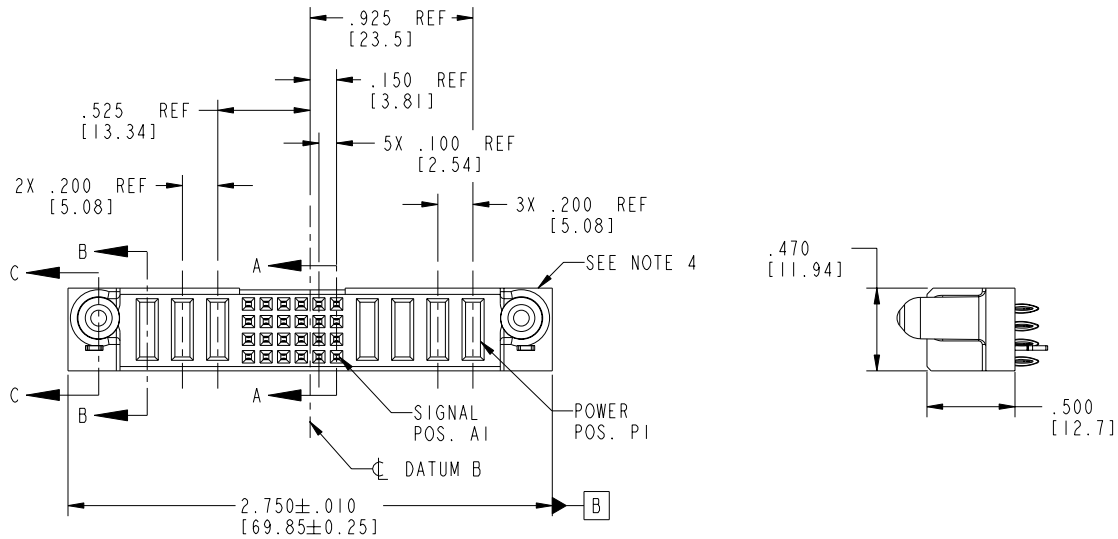


Tous droits strictement réservés. Reproduction ou communication à des tiers interdite sous quelque forme que ce soit sans autorisation écrite du propriétaire. Propriété de FCI. Droits de reproduction FCI.

All rights strictly reserved. Reproduction or issue to third parties in any form whatever is not permitted without written authority from the proprietor. Property of FCI. Copyright FCI.

PRODUCT NO.	ROWS	POWER				SIGNAL					POWER				E1	
		E2	P7	P6	P5	6	5	4	3	2	1	P4	P3	P2		P1
51940-081-- NOTE:3	D C B A															
		PF	PF	PC	F	F	F	F	F	F	F	PC	PC	PF	PF	
					F	F	F	F	F	F	F					



CODE	DIM "M" MATING LENGTH	CONTACT TYPE
F	N/A [N/A]	SIGNAL
PC	.042 [1.07]	POWER
PF	.092 [2.34]	POWER
HA	N/A [N/A]	HOLD-DOWN

mat'l code				SEE NOTE 2		tolerances unless otherwise specified		CUSTOMER		 www.fciconnect.com	
ltr	ecn no.	dr	date	linear	.XX±.01/0.X±0.3	projection		COPY		title	
A	V04-0251	TAB	03/10/04		.XXX±.005/0.XX±0.13					4P + 24S + 3P	
B	V04-0519	TAB	05/18/04	angles	.XXX±.0020/0.XX±0.051			INCH/MM		VERTICAL PRESS-FIT RECEPT	
C	DG05-0500	CS	11/24/05	dr	0°±2°			scale		product family	
				enr	T. BRUNGARD 03/10/04	1:1				PwrBlade	
				chr	M. GRAY 03/10/04			size		code	
				appd	M. GRAY 03/10/04			A		213	
sheet index	revision	C	C	C	C			dwg no		sheet	
	sheet	1	2	3	4			51940-081		1 of 4	

cage code 22526 4

PDM: Rev:C

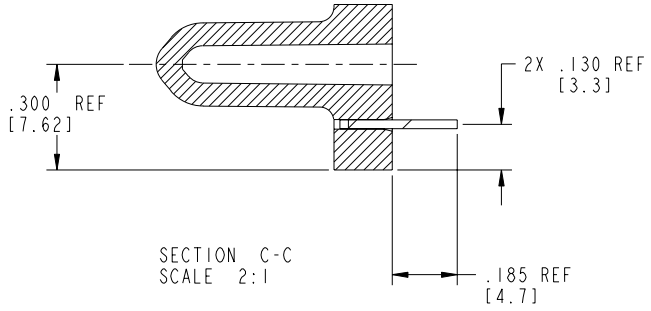
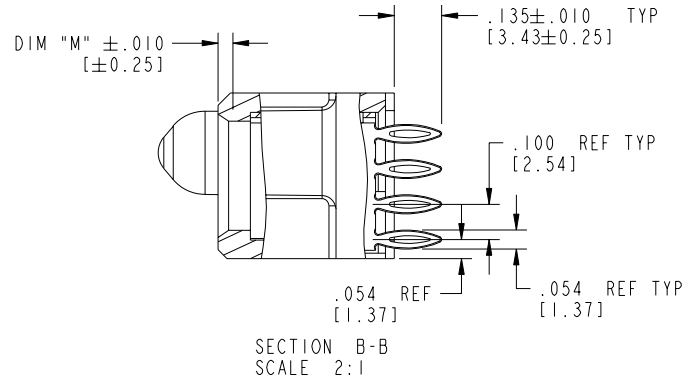
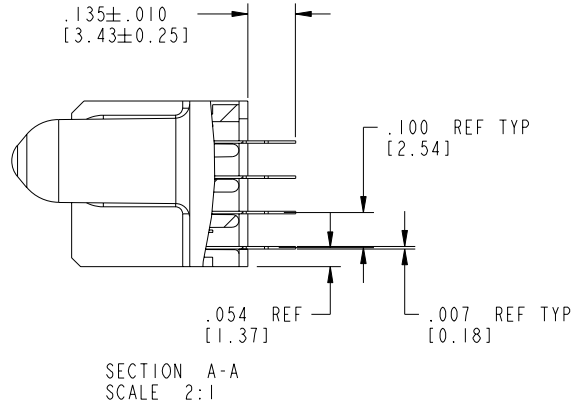
STATUS:Released

Printed: Dec 20, 2010

Tous droits strictement réservés. Reproduction ou communication a des tiers interdite sous quelque forme que ce soit sans autorisation écrite du propriétaire. Propriété de c FCI. Droits de reproduction FCI.

All rights strictly reserved. Reproduction or issue to third parties in any form whatever is not permitted without written authority from the proprietor. Property of FCI. Copyright FCI.

PRODUCT NUMBER
51940-081__
NOTE: 3



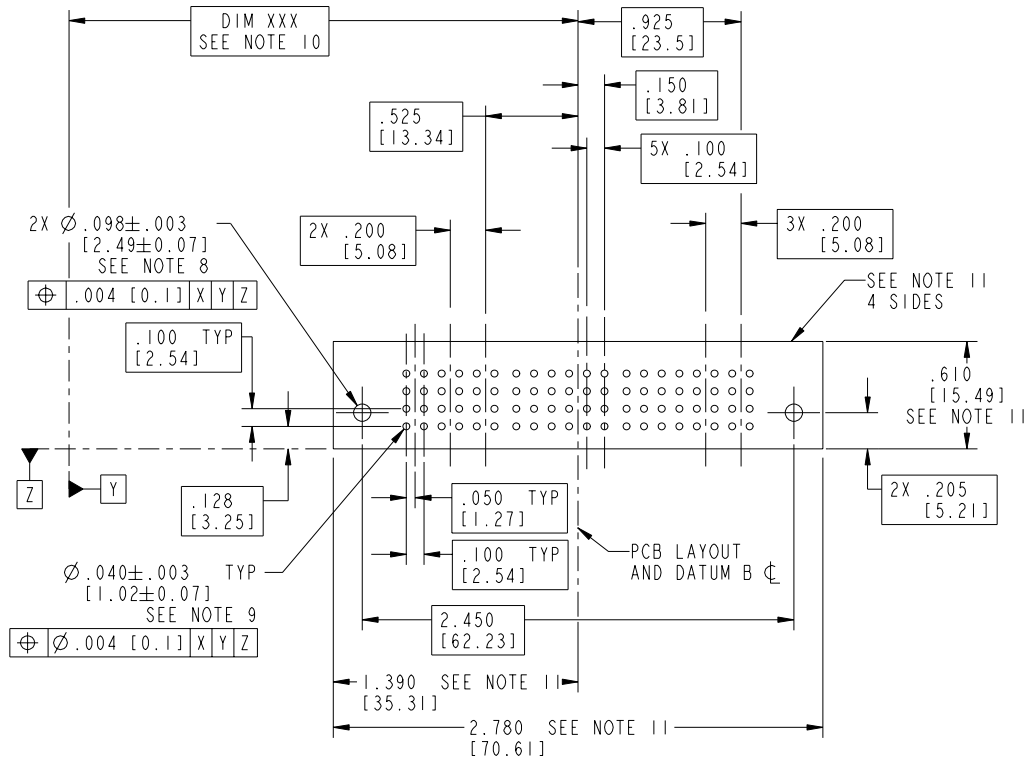
mat'l code		SEE NOTE 2		tolerances unless otherwise specified		CUSTOMER		 www.fciconnect.com	
ltr	ecn no.	dr	date	linear	.XX±.01/0.X±0.3	COPY		projection	title
C					.XXX±.005/0.XX±0.13	INCH/MM			4P + 24S + 3P VERTICAL PRESS-FIT RECEPT
				angles	.XXX±.0020/0.XXX±0.051	scale		product family	code
				dr	0°±2°	1:1		PwrBlade	213
				enr	T. BRUNGARD 03/10/04			size	2 of 4
				chr	M. GRAY 03/10/04			dwg no	
				appd	M. GRAY 03/10/04			51940-081	
sheet index	revision sheet								

cage code 22526 4

Tous droits strictement réservés. Reproduction ou communication à des tiers interdite sous quelque forme que ce soit sans autorisation écrite du propriétaire. Propriété de c FCI. Droits de reproduction FCI.

All rights strictly reserved. Reproduction or issue to third parties in any form whatever is not permitted without written authority from the proprietor. Property of FCI. Copyright FCI.

PRODUCT NUMBER
51940-081__
NOTE: 3



mat'l code		SEE NOTE 2		tolerances unless otherwise specified		CUSTOMER		 www.fciconnect.com	
ltr	ecn no.	dr	date	linear	.XX±.01/0.X±0.3	COPY		title 4P + 24S + 3P	
C				angles	.XXX±.005/0.XX±0.13	projection		VERTICAL PRESS-FIT RECEPT	
				dr	.XXX±.0020/0.XXX±0.051	 INCH/MM		product family PwrBlade code 213	
				enr	0°±2°	scale 1:1		size dwg no 51940-081 sheet 3 of 4	
				chr	T. BRUNGARD 03/10/04				
				appd	M. GRAY 03/10/04				
					M. GRAY 03/10/04				
sheet index	revision sheet								

cage code 22526 4

Tous droits strictement réservés. Reproduction ou communication a des tiers interdite sous quelque forme que ce soit sans autorisation écrite du propriétaire. Propriété de c FCI. Droits de reproduction FCI.

All rights strictly reserved. Reproduction or issue to third parties in any form whatever is not permitted without written authority from the proprietor. Property of FCI. Copyright FCI.

PRODUCT NUMBER
51940-081__
NOTE: 3

NOTES:

1. DIMENSIONS AND TOLERANCES ARE IN ACCORDANCE WITH ASME Y14.5M, 1994 UNLESS OTHERWISE SPECIFIED.

CONNECTOR NOTES:

2 HOUSING MATERIAL: UL 94 V-0 GLASS FILLED
HIGH-TEMP THERMOPLASTIC
POWER CONTACT MATERIAL: COPPER ALLOY
SIGNAL PIN MATERIAL: COPPER ALLOY

3. PLATING:
51940-081 Singal Pin:30u"/0.76um Au OVER 50u"/1.27um Ni ON THE CONTACT AREA
AND 100u"/2.54um SnPb PLATING OVER 50u"/1.27um Ni ON THE TERMINATION SECTION.
Power Pin:30u"/0.76um Au OVER 50u"/1.27um Ni ON THE CONTACT AREA,
AND 100u"/2.54um SnPb PLATING OVER 50u"/1.27um Ni ON THE TERMINATION SECTION.

51940-081LF Singal Pin:30u"/0.76um Au OVER 50u"/1.27um Ni ON THE CONTACT AREA
AND 78u"/2.00um Sn PLATING OVER 50u"/1.27um Ni ON THE TERMINATION SECTION.
Power Pin:30u"/0.76um Au OVER 50u"/1.27um Ni ON THE CONTACT AREA,
AND 78u"/2.00um Sn PLATING OVER 50u"/1.27um Ni ON THE TERMINATION SECTION.

PART NUMBER 51940-081LF MEETS EUROPEAN UNION DIRECTIVE AND OTHER COUNTRY REGULATIONS AS DESCRIBED IN GS-22-008.

THE HOUSING WILL WITHSTAND EXPOSURE TO 260° PEAK TEMPERATURE FOR 10 SECONDS IN A WAVE SOLDER APPLICATION WITH A CIRCUIT BOARD.

4 MANUFACTURER'S NAME, P/N, AND DATE CODE TO APPEAR ON THIS SURFACE.

5. PRODUCT SPECIFICATION GS-12-149.
APPLICATION SPECIFICATION BUS-20-067.

6. PACKAGED IN TRAYS.

PCB NOTES:


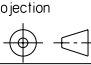

7. ALL HOLE DIAMETERS ARE FINISHED HOLE SIZE.

8 MOUNTING HOLES, WHERE APPLICABLE, ARE UNPLATED.

9 $\varnothing .0453 \pm .0010$ [1.151 \pm 0.025] DRILLED HOLES PLATED WITH
.0003 [0.008] MIN SnPb OVER .001 [0.03]
TO .003 [0.08] Cu PLATING TO ACHIEVE
 $\varnothing .040 \pm .003$ [1.02 \pm .07] HOLE.

10 "DIM XXX" TO BE DETERMINED BY THE CUSTOMER.

11 CONNECTOR KEEP-OUT ZONE.

mat'l code		SEE NOTE 2		tolerances unless otherwise specified		CUSTOMER		 www.fciconnect.com	
ltr	ecn no.	dr	date	linear	.XX±.01/0.X±0.3	COPY		projection	title
C					.XXX±.005/0.XX±0.13				4P + 24S + 3P
				angles	XXXX±.0020/0.XXX±0.051				VERTICAL PRESS-FIT RECEPT
				dr	0° ± 2°				product family
				enr	T. BRUNGARD 03/10/04	INCH/MM			PwrBlade
				chr	M. GRAY 03/10/04	scale		A	code
				appd	M. GRAY 03/10/04	1:1		size	213
sheet index	revision sheet							dwg no	4 of 4
								51940-081	

cage code 22526 4