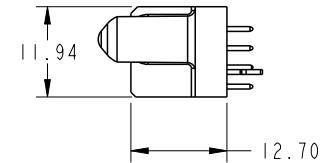
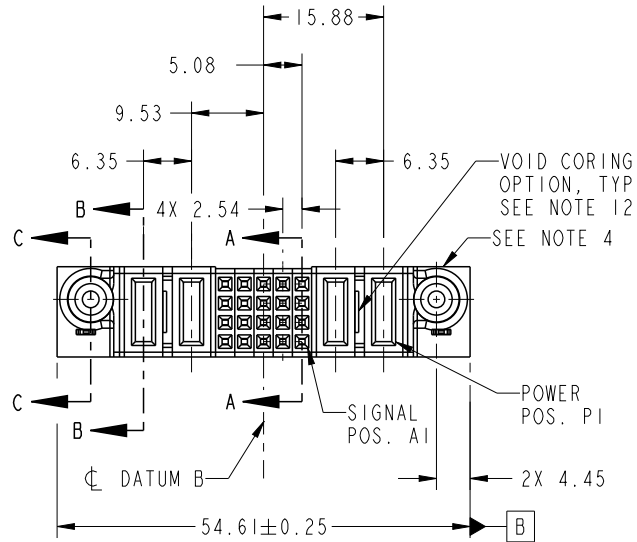


PRODUCT NO.	ROWS	POWER		SIGNAL					POWER			
		E2	P4	P3	5	4	3	2	1	P2	P1	E1
51750-122-- NOTE: 3	D C B A											

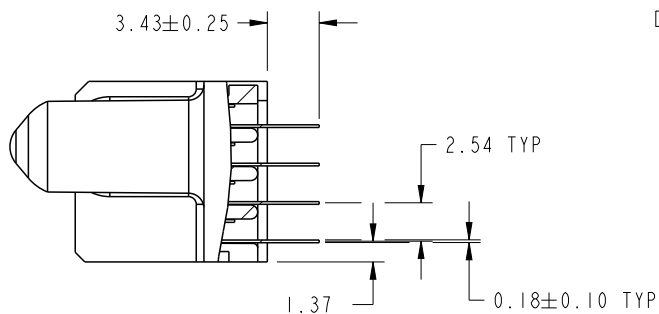


CODE	DIM "M" MATING LENGTH	CONTACT TYPE
E	[N/A]	SIGNAL
PD	[2.34]	POWER
PA	[1.07]	POWER
HA	[N/A]	HOLD-DOWN

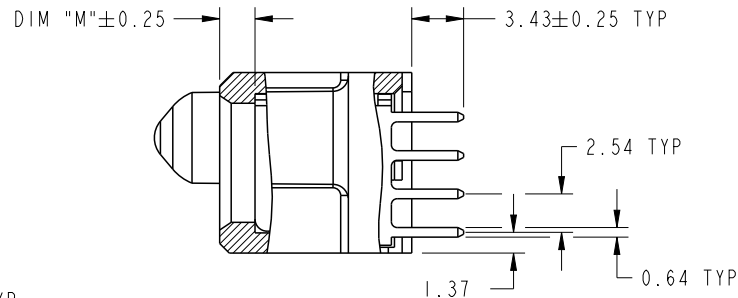
spec ref	*	dr	Guang, Shi	2012/05/25	projection	MM	size	A4	scale	1:1
tolerance std	TOLERANCES UNLESS OTHERWISE SPECIFIED	eng	Luo Weller	2012/09/11			ecn no	-		
SEE NOTE		chr	-	-						
surface	linear	appr	Pei-Ming Zheng	2012/09/12	product family	PwrBlade	rel level	Released		
	angular	0°	±2°		title	2P +20S +2P	dwg no	51750-122	rev	A
				www.fci.com	VERTICAL SOLDER RECEPT	cat. no.	*	Product - Customer Drw	sheet 1 of 4	

PRODUCT NUMBER

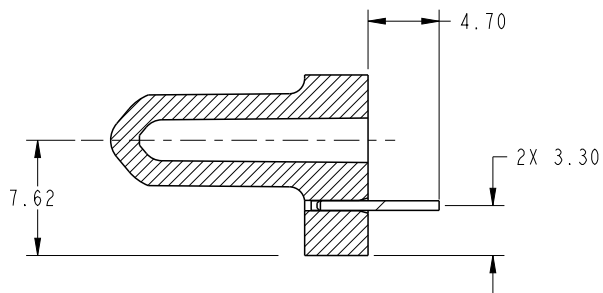
51750-122__
NOTE: 3



SECTION A-A
SCALE 2:1



SECTION B-B
SCALE 2:1

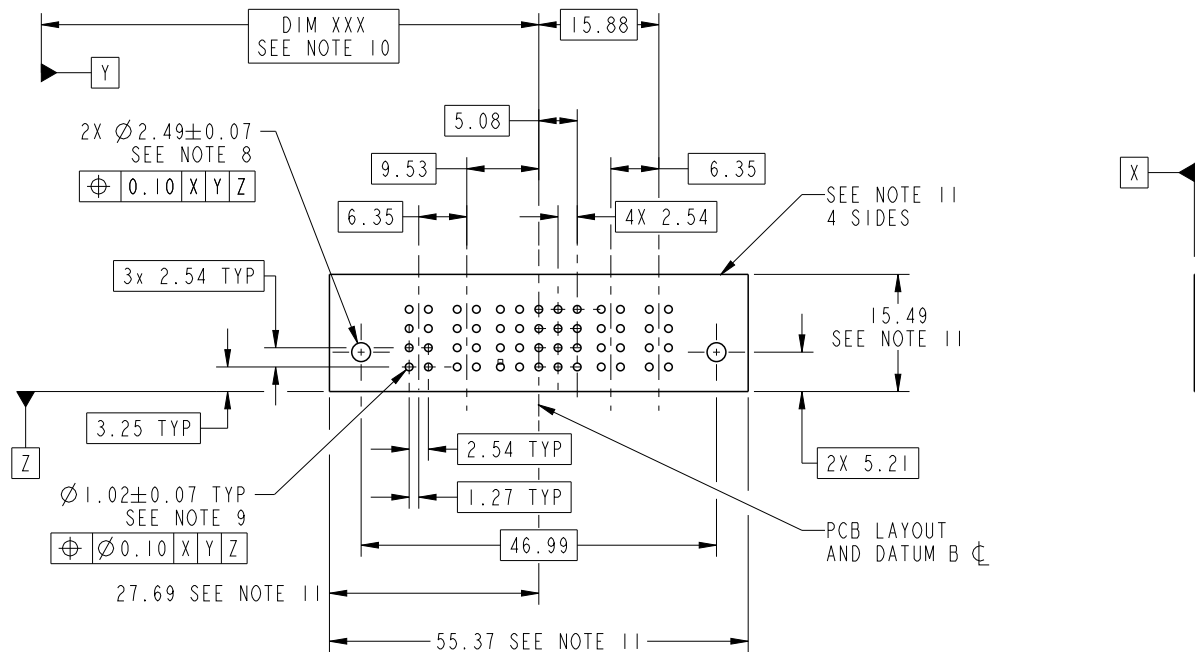


SECTION C-C
SCALE 2:1

dr	Guang, Shi	2012/05/25	projection 	MM 	size	A4	scale	1:1
eng	Luo Weller	2012/09/11			ecn no	-		
chr	-	-			rel level	Released		
appr	Pei-Ming Zheng	2012/09/12	product family	PwrBlade	rev	A		
		title 2P +20S +2P VERTICAL SOLDER RECEPT	dwg no 51750-122	www.fci.com	cat. no. *	Product - Customer Drw	sheet 2 of 4	

PRODUCT NUMBER

51750-122__
NOTE: 3



RECOMMENDED PCB LAYOUT

dr	Guang, Shi	2012/05/25	projection 	MM 	size	A4	scale	1:1	
eng	Luo Weller	2012/09/11			ecn no	-			
chr	-	-			rel level	Released			
appr	Pei-Ming Zheng	2012/09/12	product family	PwrBlade					
	title	2P +20S +2P VERTICAL SOLDER RECEPT			dwg no	51750-122		rev	A
www.fci.com	cat. no.	*	Product - Customer Drw			sheet 3 of 4			

PRODUCT NUMBER

51750-122__
NOTE: 3

NOTES:

1. DIMENSIONS AND TOLERANCES ARE IN ACCORDANCE WITH ASME Y14.5M, 1994 UNLESS OTHERWISE SPECIFIED.

CONNECTOR NOTES:

- ② HOUSING MATERIAL: UL 94 V-0 GLASS FILLED HIGH-TEMP THERMOPLASTIC
POWER CONTACT MATERIAL: COPPER ALLOY
SIGNAL PIN MATERIAL: COPPER ALLOY
- 3. SEE ITEM 5 & 6 IN PRINT 10064183 FOR PLATING SPEC OF 51750-122 AND 51750-122LF RESPECTIVELY.
- ④ MANUFACTURER'S NAME, DATE CODE AND OPTIONAL P/N TO APPEAR ON THIS SURFACE. THE P/N CAN BE OMITTED IF THERE IS NOT ENOUGH SPACE ON THIS SURFACE.
- 5. PRODUCT SPECIFICATION GS-12-149.
APPLICATION SPECIFICATION BUS-20-067.
- 6. PACKAGED IN TRAYS.
- PCB NOTES:
- 7. ALL HOLE DIAMETERS ARE FINISHED HOLE SIZE.
- ⑧ MOUNTING HOLES, WHERE APPLICABLE, ARE UNPLATED.
- ⑨ $\varnothing 1.151 \pm 0.025$ DRILLED HOLES PLATED WITH
0.008 MIN SnPb OR Sn OVER 0.03
TO 0.08 Cu PLATING TO ACHIEVE
 $\varnothing 1.02 \pm 0.07$ HOLE.
- ⑩ "DIM XXX" TO BE DETERMINED BY THE CUSTOMER.
- ⑪ CONNECTOR KEEP-OUT ZONE.
- 12. THE VOID CORING IN BETWEEN POWER MODULES, SIGNAL MODULES AND END MODULES ARE OPTIONAL AND THE SHAPE MAY BE DIFFERENT FOR OPTIMIZE THE MOLDING PROCESS. THE VOID CORING WILL NOT EFFECT TO PRODUCT FUNCTION.

dr	Guang, Shi	2012/05/25	projection 	MM 	size	A4	scale	1:1		
eng	Luo Weller	2012/09/11			ecn no	-				
chr	-	-			product family	PwrBlade	rel level	Released		
appr	Pei-Ming Zheng	2012/09/12			title	2P +20S +2P VERTICAL SOLDER RECEPT	dwg no	51750-122	rev	A
www.fci.com		cat. no.	*	Product - Customer Drw			sheet 4 of 4			