

1

2

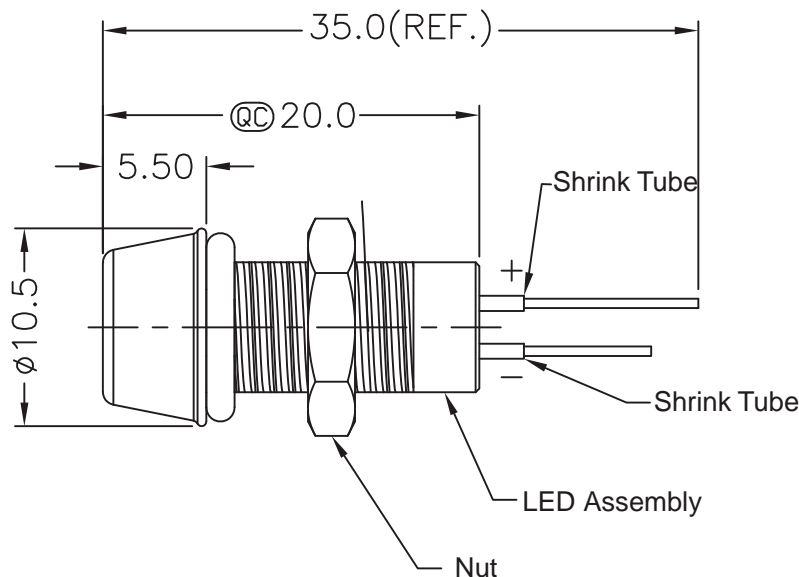
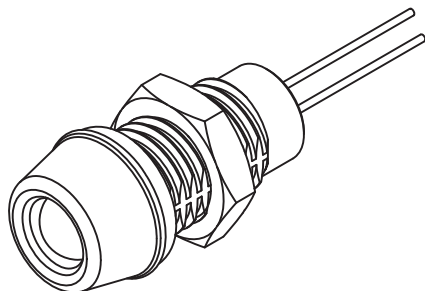
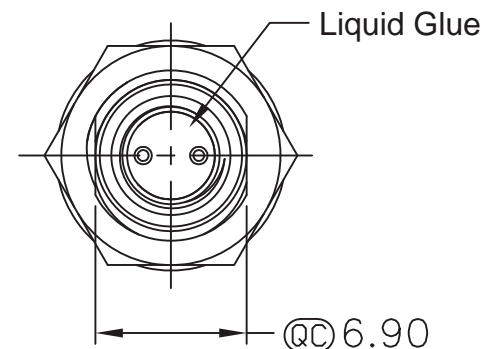
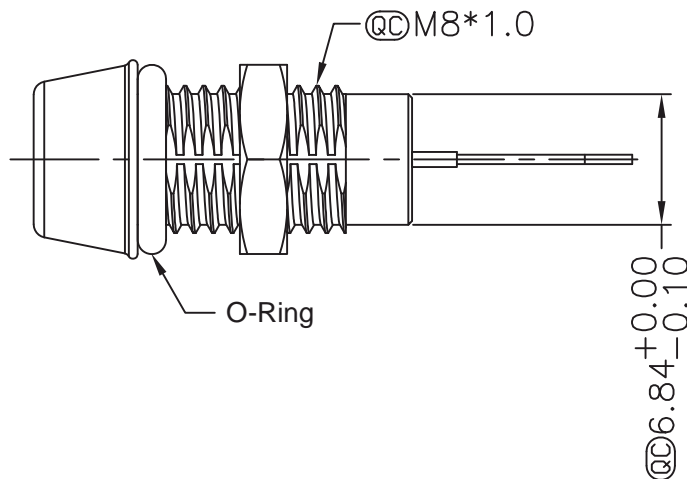
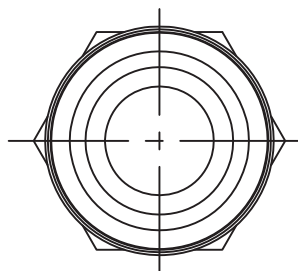
3

4

5

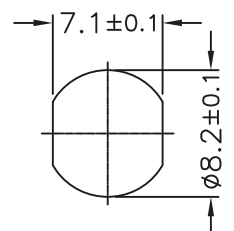
6

7



**Material:**

- Waterproof Rate: IP67
- LED Holder: Brass, Nickel plating
- LED: ø5mm, Blue
- Gasket: EPDM, Black
- Screw Nut: Brass, Nickel plating
- Operating voltage: 4V DC
- Operating Temperature: -40°C~+80°C
- For Panel Thickness 6.5mm Max.



Recommended Panel Cut-Out

QC Quality Control: Important Dimension to check

Unit: mm



Scale	Free						Date	Name	Title Waterproof LED Blue color, metal, Ø5.0mm
TOLERANCE						Drawn	05.03.14	Wilson	
X.	±0.3					Approved	05.03.14	Groll	ASSMANN WSW-No. A-LED8-1BBAS-MR7-1
X.X	±X								Drawing-No. ASS 6227 CO
X.XX	±X								rev00
DIM	TOL								Replace
X.°	±X°								Sheet
X.X°	±X°								1/1
Angle	TOL	Id.	Modification	Date	Name	 1840 W. Drake Drive, Suite 101 • Tempe, AZ 85283 Toll Free: 1-877-277-6266 • Email: info@assmann.us			

1

2

3

4

5

6

7