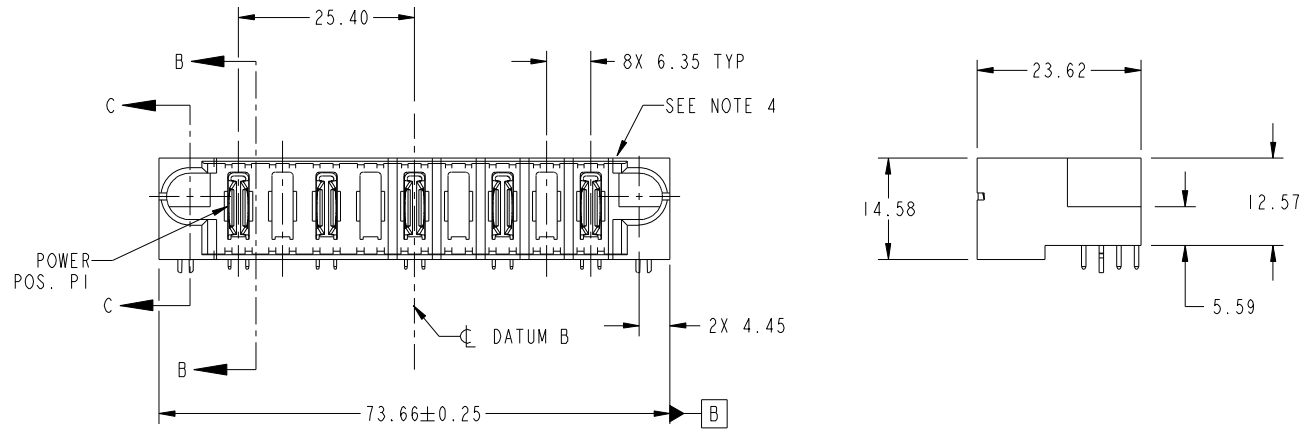


Tous droits strictement reserves. Reproduction ou communication a des tiers interdite sous quelque forme que ce soit sans autorisation écrite du propriétaire. Propriete de c FCI. Droits de reproduction FCI.

All rights strictly reserved. Reproduction or issue to third parties in any form whatever is not permitted without written authority from the proprietor. Property of FCI. Copyright FCI.



PRODUCT NO. 51733-013... NOTE 3	POWER									E2	
	E1	P1	P2	P3	P4	P5	P6	P7	P8		P9
	HA	PA	X	PA	X	PA	X	PA	X	PA	HA



CODE	DIM "M" MATING LENGTH	CONTACT TYPE
PA	[N/A]	POWER
HA	[N/A]	HOLD-DOWN
X	[N/A]	[N/A]

mat'l code				SEE NOTE		tolerances unless otherwise specified		CUSTOMER		FCI	
ltr	ecn no.	dr	date	linear	0.X ± 0.5	projection		COPY		www.fciconnect.com	
A	DG10-0363	XQ	10/25/10	angles	0.XX ± 0.25	MIM		title		9 P	
				dr	0.XXX ± 0.1	scale		product family		PwrBlade	
				enr	0° ± 2°	1:1		size		code	
				chr	XQ Wong 10/15/10			dwg no		213	
				appd	Jermoe Chen 10/25/10			51733-013		sheet	
					PM ZHENG 10/15/10			A		1 of 4	
					JOSEPH HSIA 10/15/10						
sheet index	revision sheet	A	A	A	A						
		1	2	3	4						

cage code 22526

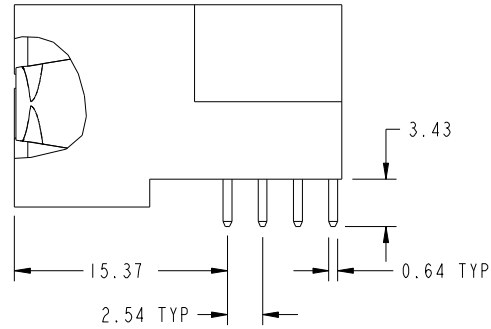
Pro/E

Tous droits strictement reserves. Reproduction ou communication a des tiers interdite sous quelque forme que ce soit sans autorisation écrite du propriétaire. Propriete de c FCI. Droits de reproduction FCI.

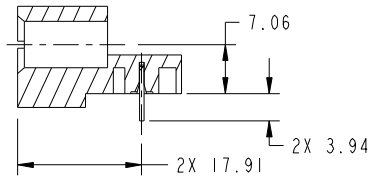
All rights strictly reserved. Reproduction or issue to third parties in any form whatever is not permitted without written authority from the proprietor. Property of FCI. Copyright FCI.



PRODUCT NUMBER
51733-013--
NOTE: 3



BROKEN-OUT SECTION B-B
SCALE 2:1



SECTION C-C

mat'l code				SEE NOTE		tolerances unless otherwise specified		CUSTOMER		FCI	
ltr	ecn no.	dr	date	linear	0.X ± 0.5	COPY		www.fciconnect.com		title	
A				linear	0.XX ± 0.25	projection		RIGHT ANGLE SOLDER HEADER		9 P	
				angles	0.XXX ± 0.1			product family		PwrBlade	
				dr	0° ± 2°			size		code	
				enr	X0 Wong 10/15/10	scale		dwg no		213	
				chr	Jermoe Chen 10/25/10	1:1		51733-013		sheet	
				appd	PM ZHENG 10/15/10			A		2 of 4	
					JOSEPH HSIA 10/15/10						
sheet index	revision sheet										

cage code 22526

Pro/E

Tous droits strictement reserves. Reproduction ou communication a des tiers interdite sous quelque forme que ce soit sans autorisation écrite du propriétaire. Propriete de c FCI. Droits de reproduction FCI.



All rights strictly reserved. Reproduction or issue to third parties in any form whatever is not permitted without written authority from the proprietor. Property of FCI. Copyright FCI.

PRODUCT NUMBER
51733-013--
NOTE: 3

NOTES:

1. DIMENSIONS AND TOLERANCES ARE IN ACCORDANCE WITH ASME Y14.5M, 1994 UNLESS OTHERWISE SPECIFIED.

CONNECTOR NOTES:

- 2. HOUSING MATERIAL: UL 94 V-0 GLASS FILLED HIGH-TEMP THERMOPLASTIC
POWER CONTACT MATERIAL: COPPER ALLOY
SIGNAL PIN MATERIAL: COPPER ALLOY
- 3. SEE ITEM 1 & 2 IN PRINT 10064183 FOR PLATING SPEC OF 51733-013 AND 51733-013LF RESPECTIVELY.
- 4. MANUFACTURER'S NAME, DATE CODE AND OPTIONAL P/N TO APPEAR ON THIS SURFACE. THE P/N CAN BE OMITTED IF THERE IS NOT ENOUGH SPACE ON THIS SURFACE.
- 5. PRODUCT SPECIFICATION GS-12-149.
APPLICATION SPECIFICATION BUS-20-067.
- 6. PACKAGED IN TRAYS.

PCB NOTES:

- 7. ALL HOLE DIAMETERS ARE FINISHED HOLE SIZE.
- 8. MOUNTING HOLES, WHERE APPLICABLE, ARE UNPLATED.
- 9. $\varnothing 1.151 \pm 0.025$ DRILLED HOLES PLATED WITH
0.008 MIN SnPb OR Sn OVER 0.03
TO 0.08 Cu PLATING TO ACHIEVE
 $\varnothing 1.02 \pm 0.07$ HOLE.
- 10. "DIM XXX" TO BE DETERMINED BY THE CUSTOMER.
- 11. CONNECTOR KEEP-OUT ZONE.

mat'l code				SEE NOTE	tolerances unless otherwise specified	CUSTOMER	FCI	
ltr	ecn no.	dr	date	linear	0.X ± 0.5	COPY	www.fciconnect.com	
A				linear	0.XX ± 0.25	projection	title 9 P	
				angles	0.XXX ± 0.1		RIGHT ANGLE SOLDER HEADER	
				dr	0° ± 2°	MIM	product family	PwrBlade
				enrg	X0 Wong 10/15/10	scale	size	code
				chr	Jermoe Chen 10/25/10	1:1	dwg no	213
				appd	PM ZHENG 10/15/10	A	51733-013	sheet
					JOSEPH HSIA 10/15/10			4 of 4
sheet index	revision sheet							

cage code 22526

Pro/E