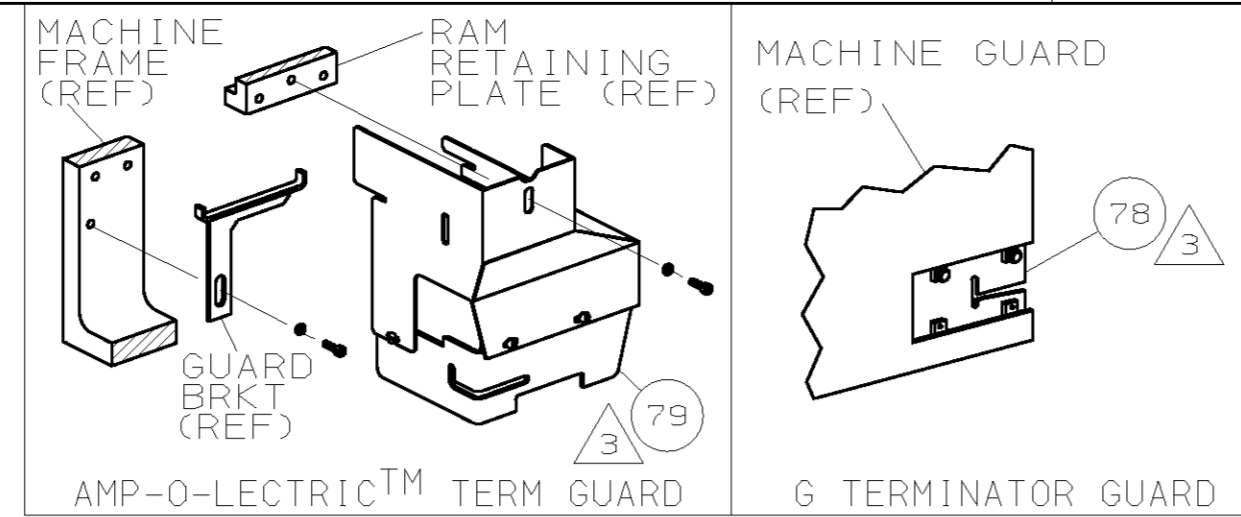
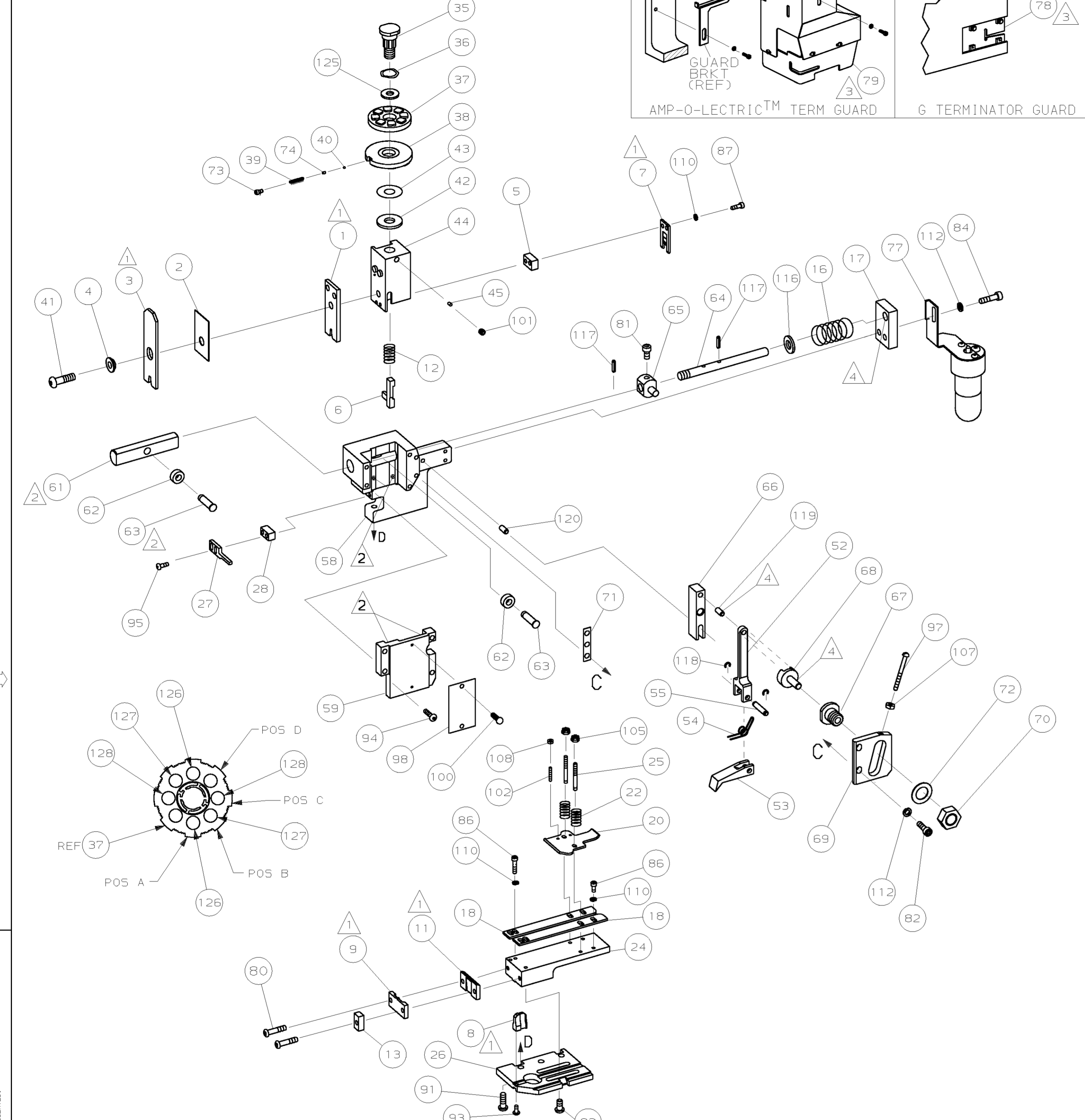


PART NUMBER	REV	FIRST USED
1852047-1	A	122500-1
1852047-2	A	565435-5



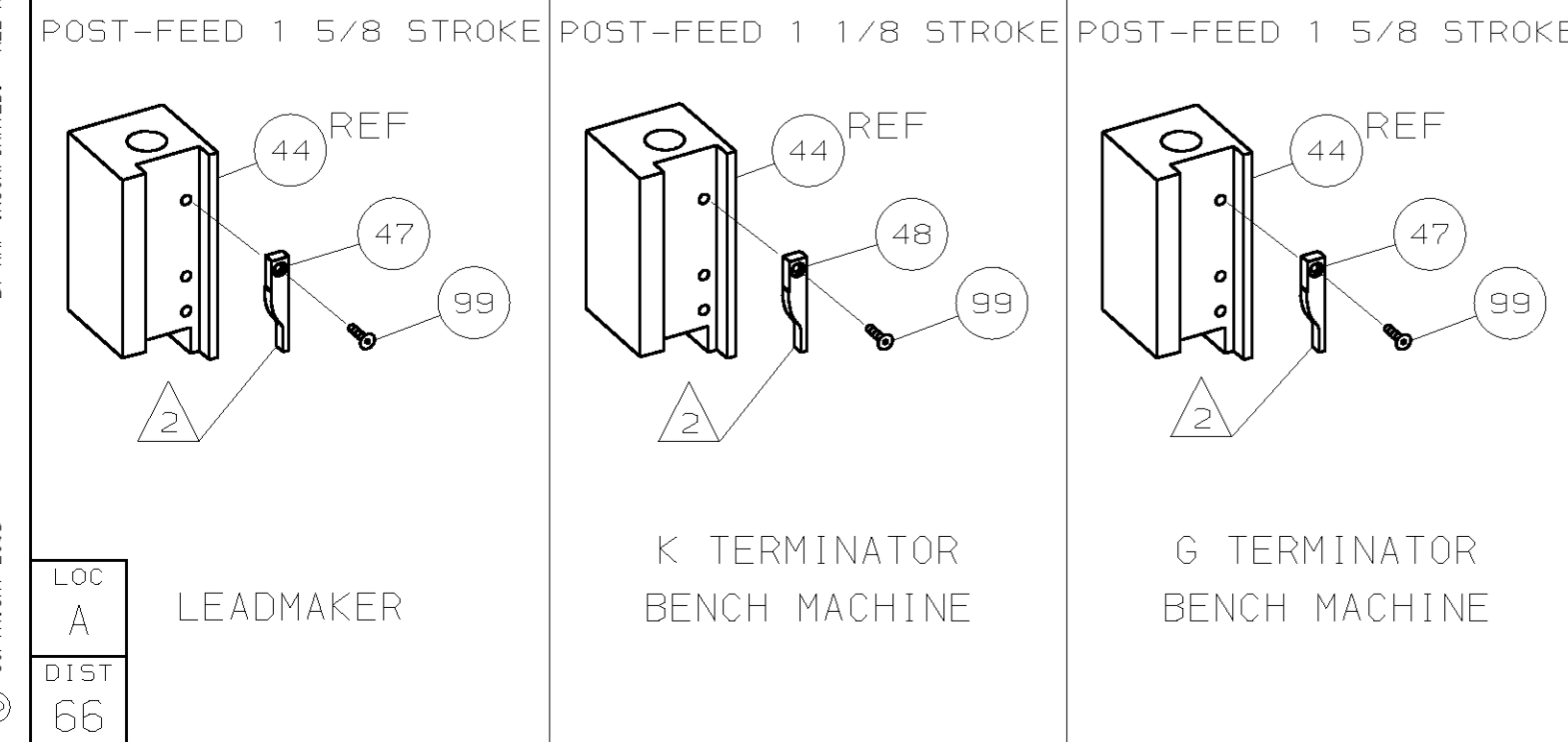
TERMINAL NAME: RECEPTACLE, FASTON, .250 SERIES			
1742197	PAD LTR	AMP CRIMP SPECS	AMP CRIMP SPECS
		CRIMP HEIGHT	WIRE SIZE
	A	.073 ±.002 [1.85 ±0.05mm]	14
	B	.064 ±.002 [1.63 ±0.05mm]	16
	C	.058 ±.002 [1.47 ±0.05mm]	18
	D	NOT USED	
CRIMP	SIZE	TYPE	RANGE
WIRE	.110 [2.79mm]	F	18-14
INSUL	.120 [3.05mm]	0	.060-.110
WIRE STRIP LENGTH	TERM APPL SPEC	FEED	APPL INSTRUCTION
.237-.267	114-2036	.843	408-8039
SET UP GAGE	LAYOUT		
458638-1	L1852047		

-1	LEADMAKER & BENCH MODEL G	MECH POST FEED	
-2	BENCH MODEL K	MECH POST FEED	
REF	REF	- A	22594-8 NUT, HEX 70
REF	REF	- B	240628-1 PLATE, ADJ 69
REF	REF	- B	240626-1 SHAFT, PIVOT 68
REF	REF	- B	240633-1 BUSHING 67
REF	REF	- A	455680-1 LEVER, INTERMEDIATE 66
REF	REF	- B	240629-1 BLOCK, PIVOT 65
REF	REF	- A	240632-2 SCR, ADJ 64
REF	REF	- B	240659-3 PIN, CAM ROLLER 63
REF	REF	- B	240658-1 CAM, ROLLER 62
REF	REF	- B	454398-1 ROD, FEED 61
REF	REF	- C	454220-1 CAP, RAM 60
REF	REF	- D	453736-1 HOUSING 59
			58
			57
			56
REF	REF	- B	240624-1 PIN, FEED FINGER 55
REF	REF	- B	691499-1 SPRING, FEED FINGER 54
REF	REF	- B	240635-1 FINGER, FEED 53
REF	REF	- B	240634-3 LEVER, TERMINAL 52
			51
			50
			49
1	-	- B	690501-3 CAM, POST FEED 1 1/8 ST 48
-	1	- B	690501-4 CAM, POST-FEED 1 5/8 ST 47
			46
1	1	- A	690191-1 PLUG, NYLON 45
1	1	- C	455674-1 RAM 44
1	1	- A	690125-1 WASHER, LAMINATED 43
1	1	- A	690124-9 WASHER, RAM 42
1	1	- A	7-21002-9 BOLT, CRIMPER (5/16-24x1.00) 41
1	1	- A	23241-6 BALL, STEEL 40
1	1	- A	690170-1 SPRING, COMPRESSION 39
1	1	- C	690142-1 DISC, INSULATION 38
1	1	- D	354777-1 DISC, WIRE 37
1	1	- A	22480-5 WASHER, SPRING 36
1	1	- B	690212-1 POST, RAM 35
			34
			33
1	1	- D	458980-2 APPLICATOR, BASIC (SUB ASSY) 32
			31
			30
			29
1	1	- B	3-690451-2 SPACER, STRIPPER 28
1	1	- A	240639-1 STRIPPER 27
REF	REF	- C	455676-1 PLATE, BASE 26
2	2	- A	22354-8 DRAG, STUD 25
1	1	- B	455678-1 PLATE, STRIP GUIDE 24
			23
2	2	- A	4-22281-1 SPRING, DRAG 22
			21
1	1	- A	454177-1 DRAG, STOCK 20
			19
2	2	- C	454204-3 GUIDE, STRIP (FRONT) 18
REF	REF	- A	454178-1 GUIDE, FEED ROD 17
REF	REF	- A	6-22284-4 SPRING, FEED RETURN 16
			15
			14
1	1	- C	690481-2 SPACER, HOLD DOWN 13
1	1	- A	23846-1 SPRING, HOLD DOWN 12
1	1	- B	240644-1 PLATE, REAR SHEAR 11
			10
1	1	- B	690482-3 PLATE, FRONT SHEAR 9
1	1	- D	8-356038-0 ANVIL 8
1	1	- B	690474-3 BLADE, SLUG 7
1	1	- D	4-455892-4 HOLD DOWN, TERMINAL 6
1	1	- C	1-240641-0 SPACER, SLUG BLADE 5
1	1	- B	2-238009-9 SPACER, BLOCK CRIMPER 4
1	1	- C	1-683454-6 CRIMPER, INSULATION 3
1	1	- B	455888-1 SPACER, CRIMPER 2
1	1	- C	456422-2 CRIMPER, WIRE 1



QTY	REF	REV	U/M	DWG SIZE	PART NO	DESCRIPTION	ITEM NO
2	2	-	C		354779-8	PIN, WIRE DISC (.3030)C	129
2	2	-	C		9-354778-3	PIN, WIRE DISC (.2960)B	127
2	2	-	C		7-354778-1	PIN, WIRE DISC (.2850)A	126
1	1	-	A		986950-1	WASHER, FLAT PRECISION	125
1	1	-	A		217238-1	GENERAL INSTRUCTION PACKAGE	124
1	1	-	-		4088039	EF APPL INST 408-8039	123
							122
							121
REF	REF	-	A		1-21030-6	PIN, DOWEL (Ø.187x1.25)H5G	120
REF	REF	-	A		1-21030-1	PIN, DOWEL (Ø.187x.50)LEVER	119
REF	REF	-	A		21045-3	RING, RET "C" (Ø.187)FD PIN	118
REF	REF	-	A		5-21028-1	PIN, STD SPRING (Ø.12)FD ADJ ROD	117
REF	REF	-	A		21899-4	WASHER, FLAT (Ø5/16) SCR ADJ	116
							115
							114
							113
REF	REF	-	A		21024-5	WASHER, LOCK (NO.10)FD ROD GDE	112
6	6	-	A		21024-4	WASHER, LOCK (NO.8)SHEAR BL	110
							109
2	2	-	A		21018-4	NUT, HEX (4-40)DRAG	108
REF	REF	-	A		21018-5	NUT, HEX (6-32)FD ADJ PL	107
							106
2	2	-	A		21022-2	NUT, HEX SL (8-32)DRAG STUD	105
							104
							103
2	2	-	A		2-21006-6	SCR, SKT SET (4-40x.62)DRAG	102
1	1	-	A		21009-2	SCR, SKT SET (1/4-20x.25)RAM	101
2	2	-	A		21017-2	SCR, DRIVE (#2x.19)ID PLATE	100
1	1	-	A		1-21002-7	SCR, BHC (6-32x.38)CAM	99
1	1	-	B		461264-1	PLATE, IDENTIFICATION	98
REF	REF	-	A		6-23715-5	SCR, PAN HD (6-32x1.50)FEED ADJ	97
							96
2	2	-	A		2-21002-2	SCR, BHC (8-32x.50)STRIPPER	95
REF	REF	-	A		2-21002-9	SCR, BHC (10-32x.75)H5G CAP	94
1	1	-	A		22733-8	SCR, BHC (8-32x.38 LW)ANVIL	93
4	4	-	A		3-21002-3	SCR, BHC (1/4-20x.50)ST 6D PL	92
REF	REF	-	A		2-22733-8	SCR, BHC (1/4-20x.62)BASE PL	91
							90
							89
							88
2	2	-	A		2-21000-7	SCR, 5HC (8-32x.50)SLUG BLADE	87
4	4	-	A		7-21000-4	SCR, 5HC (8-32x.31)STRIP GUIDE	86
							85
REF	REF	-	A		3-21000-7	SCR, 5HC (10-32x.75)FEED ROD GDE	84
							83
REF	REF	-	A		3-21000-6	SCR, 5HC (10-32x.62)FEED ADJ PL	82
REF	REF	-	A		3-21000-4	SCR, 5HC (10-32x.38)PIVOT BLOCK	81
2	2	-	A		3-21002-0	SCR, BHC (10-32x.88)SHEAR PL	80
REF	-	-	A		455745-1	GUARD, WINDOW	79
-	REF	-	A		679532-1	INSERT, GUARD	78
1	-	-	C		465184-9	LUBRICATOR ASSY	77
							76
							75
1	1	-	A		690603-1	SPRING, ASSIST	74
1	1	-	A		23030-1	SCR, SKT CAP (6-32x.25)CP DSC	73
REF	REF	-	A		458109-1	WASHER, FLAT (SPECIAL)	72
REF	REF	-	A		690517-1	SPACER	71

- 1 RECOMMENDED SPARE PARTS.
- 2 GREASE LIGHTLY.
- 3 GUARD MUST BE IN PLACE WHEN OPERATING APPLICATOR IN A BENCH MACHINE.
- 4 LUBRICATE DAILY USING NO. 20 MACHINE OIL.
- 5. ITEMS WITH QTY OF REF SPECIFIED (EXCEPT ITEMS 78 AND 79) ARE USED ON ITEM 32.
- 6 ITEM 78 USED WITH G TERMINATOR ONLY.



QTY	REF	REV	U/M	DWG SIZE	PART NO	DESCRIPTION	ITEM NO
-2	-1	-	U/M				