

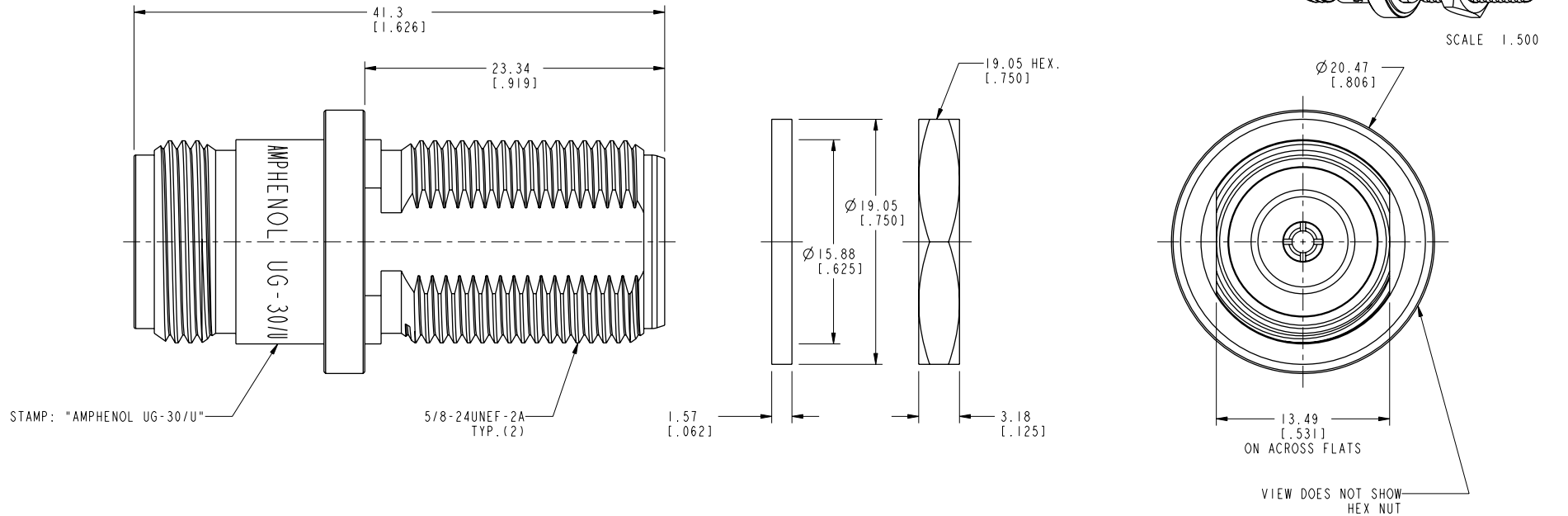
NOTES:

1. MATERIALS AND FINISHES:  
 BODY, HEX NUT & BUSHING - BRASS, NICKEL PLATED  
 CONTACT - BERYLLIUM COPPER, SILVER PLATED  
 INSULATORS - CO-POLYMER OF STYRENE  
 GASKET - SILICONE RUBBER, COLOR RED & WHITE
2. ELECTRICAL:  
 A. IMPEDANCE: 50 OHM  
 B. DIELECTRIC WITHSTANDING VOLTAGE: 2500 VRMS, MIN.
3. MECHANICAL:  
 A. DURABILITY: 500 CYCLES MIN.  
 B. TEMPERATURE RANGE: -65°C to +165°C
4. PACKAGING:  
 A. QUANTITY: SINGLE PACK  
 B. MARKING: BAG TO BE MARKED  
 "AMPHENOL RF, 82-66, AND DATE CODE"

THIRD ANGLE PROJ.

REVISIONS

REV	DESCRIPTION	DATE	ECO	APPR
--	RELEASE TO MFG.	-----	-----	-----
P	ADDED SHEET 2	2/18/00	43266	CPM
R	BODY AND BUSHING WERE CHANGED	03-Jun-11	48613	SH
T	STAMPING WAS CHANGED\RD-DMI10628011	02-Jul-11	48663	SH
U	ADDED NOTE 4. 5/8-24UNEF-2A WAS 5/8-24UNEF	12-May-14	49957	SH
V	INNER GASKET CHANGE TO WHITE\RD-DMI4052101M3	16-Jun-14	50031	SH



**CUSTOMER OUTLINE DRAWING**

ALL OTHER SHEETS ARE FOR INTERNAL USE ONLY

UNLESS OTHERWISE SPECIFIED, DIMENSIONS ARE IN METRIC AND TOLERANCES ARE: <0.5mm ±0.05mm    0.5 - 6mm ±0.1mm    6 - 30mm ±0.2mm    30 - 120mm ±0.3mm    ANGLES ±1°	MATERIAL	DRAWN M. DONG	DATE 16-Jun-14	TITLE 'N' JACK/JACK, ADAPTER WATER TIGHT	Amphenol RF <a href="http://www.amphenolrf.com">www.amphenolrf.com</a>
	REFERENCE GEN# ASSY3-N CONFIGURATION LEVEL:	ENGINEER D. ROYCE	DATE 10/19/92		
NOTICE - These drawings, specifications, or other data (1) are, and remain the property of Amphenol corp. (2) must be returned upon request; and (3) are confidential and not to be disclosed to any person other than those to whom they are given by Amphenol Corp. the furnishing of these drawings, specifications, or other data by Amphenol Corp., or to any other person to anyone for any purpose is not to be regarded by implication or otherwise in any manner licensing, granting rights to permitting such holder or any other person to manufacture, use or sell any product, process or design, patented or otherwise, that may in any way be related to or disclosed by said drawings, specifications, or other data.	FINISH	APPROVED S. HSIEH	DATE 16-Jun-14	DWG SIZE B	REV V
					ITEM NO. 82-66 PART NO. 82-66