

# SPECIFICATIONS

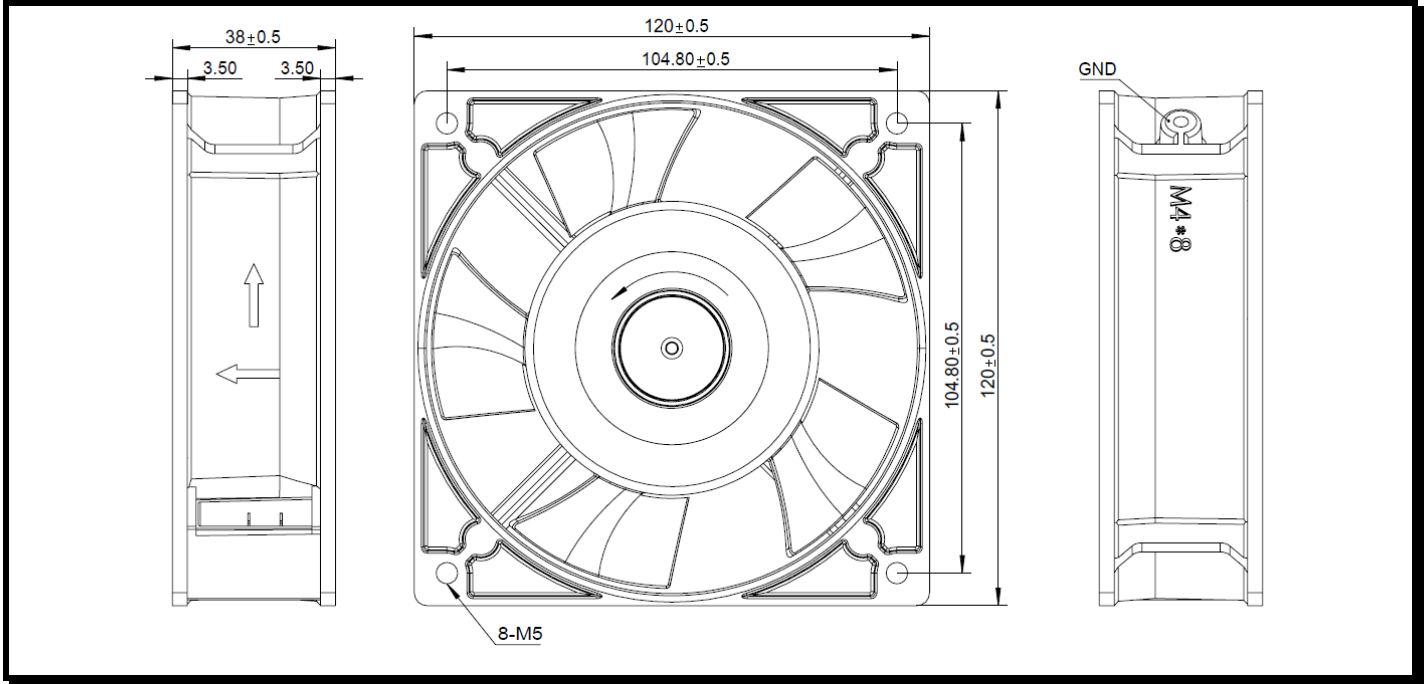
RoHS

Version: 02  
Dec 18, 2017



Model Number:MX3A3  
Part Number: 19028324A

## Mechanical Drawing:



### Motor:

Normal Voltage	= 230 VAC
Operating Voltage Range	= 207~253VAC
Operating Frequency	= 50/60Hz
Rated Current	= 0.17/0.14A
Input Power	= 23/20Watt
Average Speed	= 2500/2850RPM
Bearings	= Ball
Airflow	= 90/100CFM (Measuring at zero static pressure)
Static Pressure	= 0.20"/0.25" H <sub>2</sub> O (Measuring at zero air flow)
Noise Level	= 50/52 dB(A)
Net Weight	= 460 gram.

### Construction:

Venturi: High quality magnesium alloy die-casting Frame with ED coating and powder coating, Black.  
Propeller: Plastic, Black, UL 94V-0

### Life Expectancy:

This fan is designed for continuous duty life of 83,000 hours at 40 °C.

### Additional Features:

Insulation Resistance: 100MΩ or more at 500 V megger.  
Dielectric strength: 2 seconds at 1800 VAC/ 50-60 Hz.  
Thermal Shock: Test per MIL-STD-202F, method 107G, condition D.  
Operating Temperature: -10°C to 70°C  
Storage Temperature: -40°C to 85°C

### Termination:

0.120" Wide Terminals

### Agency Approvals:

UL, CUL, CE

# PQ Curve:

