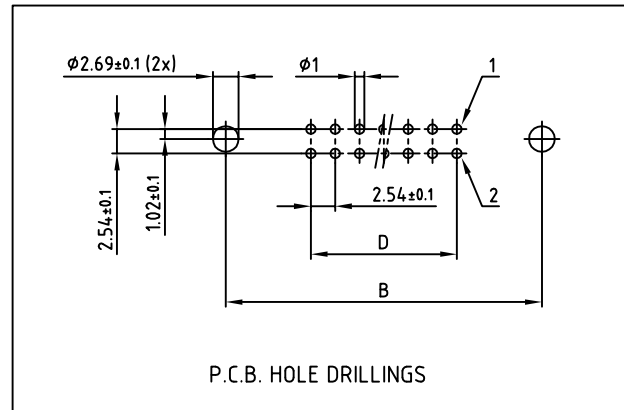
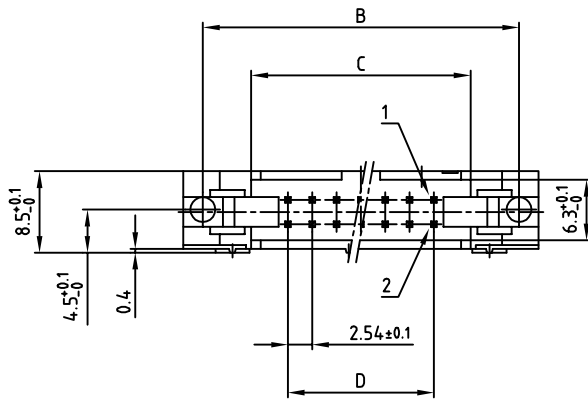
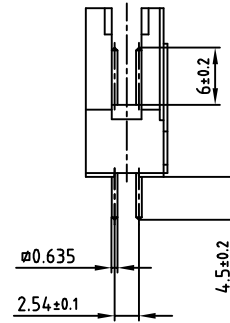
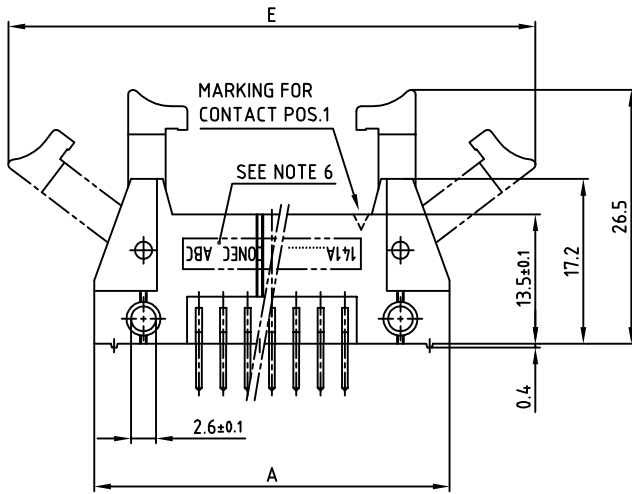


used for: DIN 41651



P.C.B. HOLE DRILLINGS

No. of pos.	A ±0.2	B ±0.1	C ±0.2	D ±0.1	E	Part-NO.
10	32.00	27.94	17.82	4x2.54=10.16	50.00	141A10469X
14	37.08	33.02	22.90	6x2.54=15.24	55.00	141A10479X
16	39.62	35.56	25.44	7x2.54=17.78	57.60	
20	44.70	40.64	30.52	9x2.54=22.86	62.50	141A10499X
26	52.32	48.26	38.14	12x2.54=30.48	70.10	141A10509X
34	62.48	58.42	48.30	16x2.54=40.64	80.30	141A10519X
40	70.10	66.04	55.92	19x2.54=48.26	87.90	141A10529X
50	82.80	78.74	68.62	24x2.54=60.96	100.70	141A10539X
60	95.50	91.44	81.32	29x2.54=73.66	113.40	141A10549X
64	100.58	96.52	86.40	31x2.54=78.74	118.52	141A12349X

NOTES:

- INSULATORS: PBTP, V0 UL 94, GREY
- CONTACTS: COPPER ALLOY  
PLATING: GOLD FLASH OVER NICKEL  
50 MATING CYCLES
- OPERATING TEMPERATURE RANGE: -40°C TO +105°C
- CURRENT CARRYING CAPACITY: 1A
- TEST VOLTAGE: 1000 Veff.
- CONNECTOR IS PART MARKED: [PART-NO. CONEC ABC]

Directive 2002/95/EC RoHS compliant

THIS DRAWING MAY NOT BE COPIED OR REPRODUCED IN ANY WAY, AND MAY NOT BE PASSED ON TO A THIRD PARTY WITHOUT WRITTEN PERMISSION. OWNERSHIP AND COPYRIGHT OF CONEC GMBH DO NOT ALTER CAD DRAWING BY HAND

rev.	description	date	name	tolerance	dim. in mm	scale:	material:
				2011		2:1	SEE NOTES
				drawn	02.03.	title:	
				appd.	02.03.	HEADER	
				norm	DIN 41651	10-64pos. STRAIGHT SOLDER PINS 4,5mm with long latch	
				d-old		dwg no:	DIN-A
						14K2A015	3
						part no:	sh: 1/1
						SEE TABLE	

