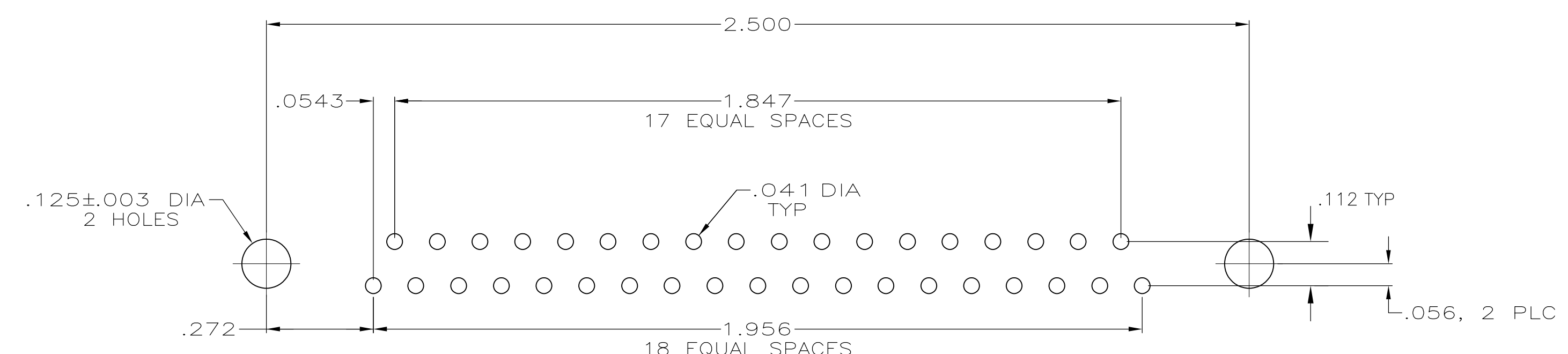
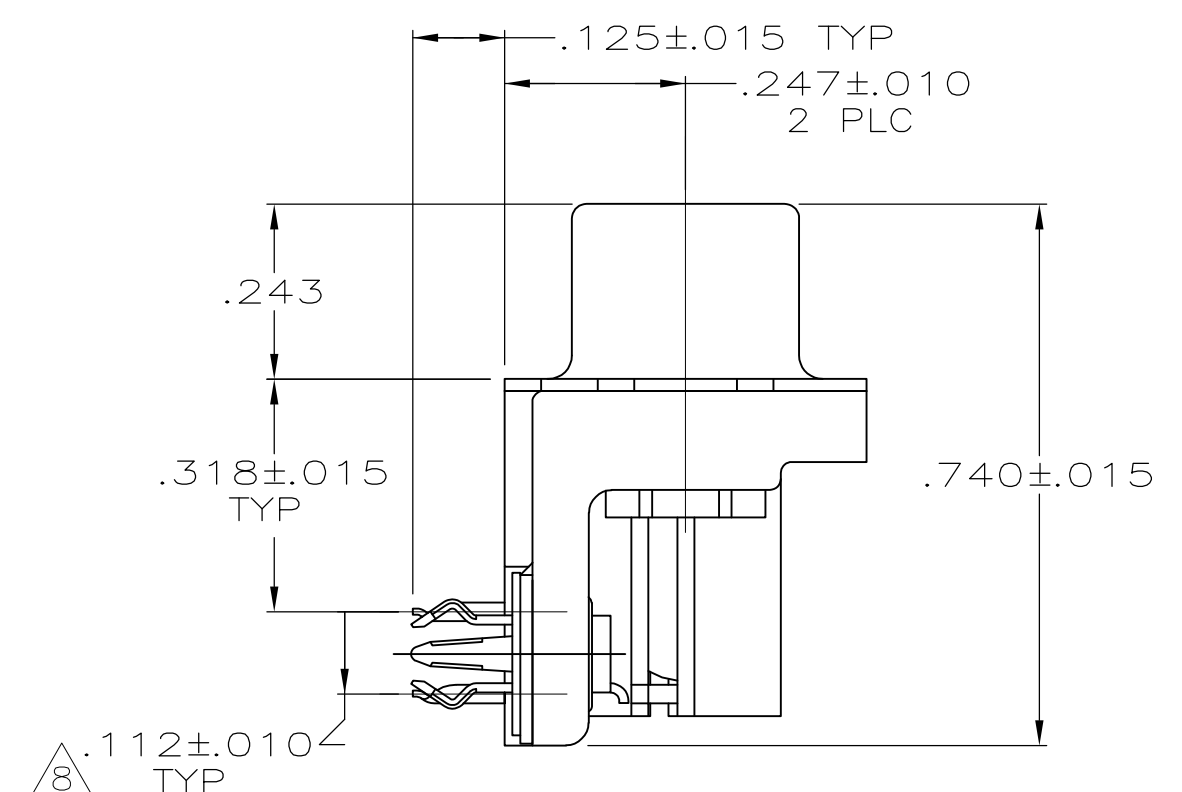
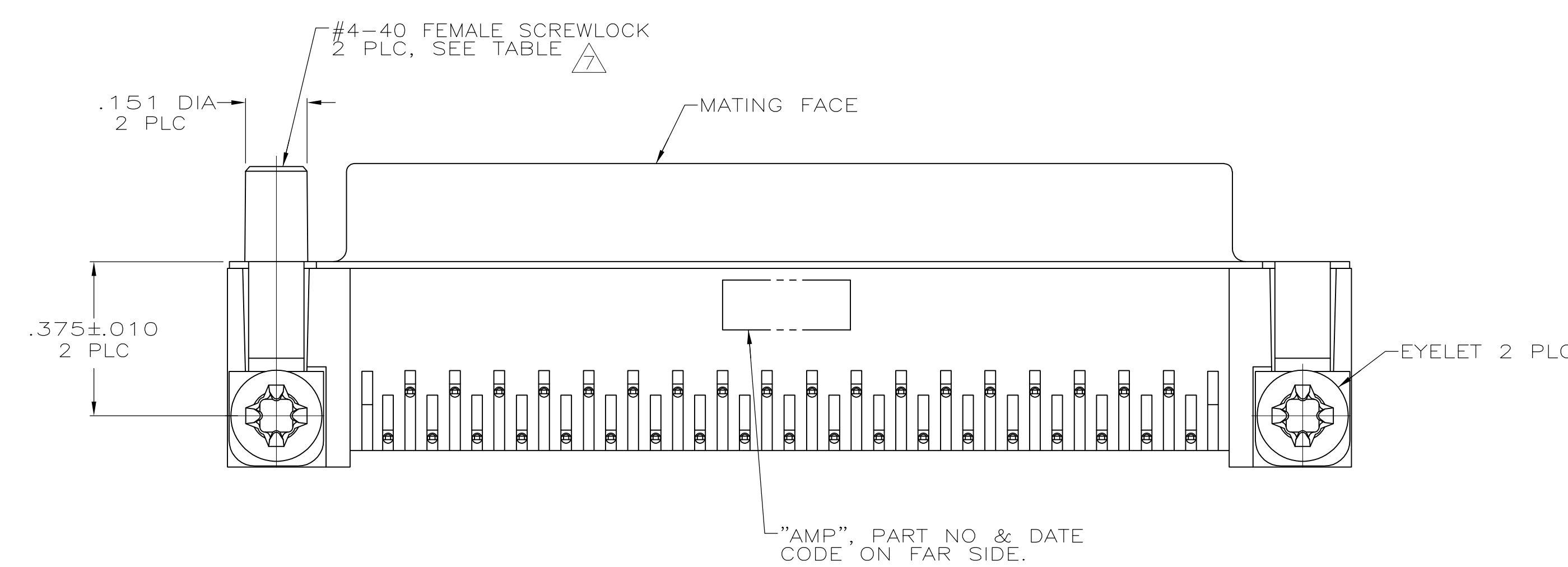
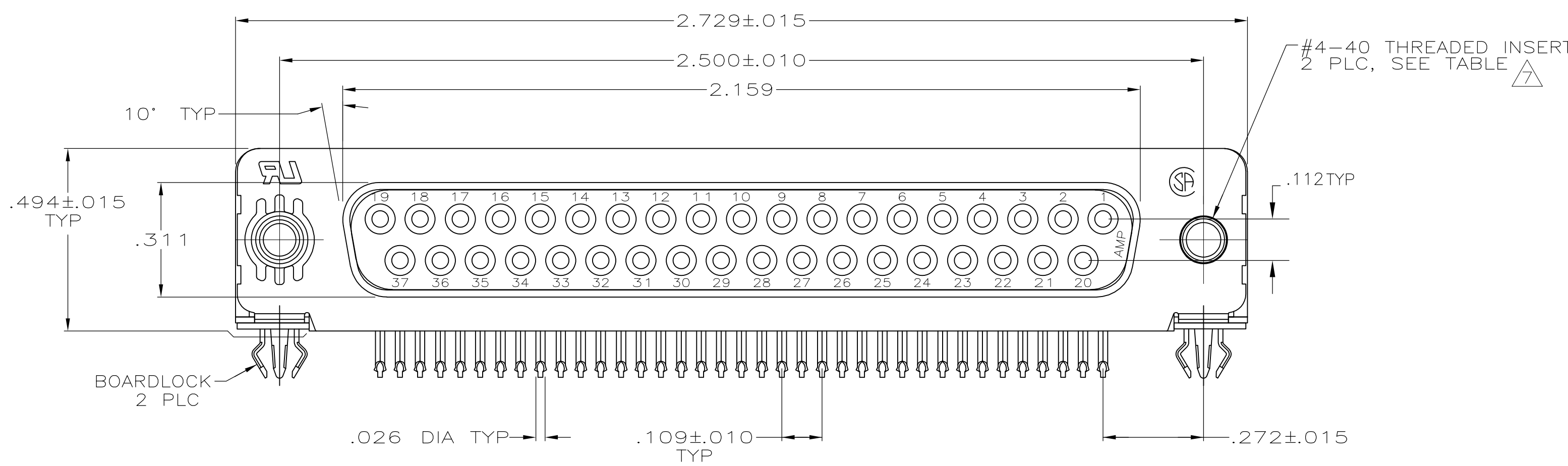


LOC	DIST	REVISIONS			
P	LTN	DESCRIPTION	DATE	DWN	APVD
V		REVISED PER EC 0513-0176-03	28MAY03	JG	CC
V1		REVISED PER ECO-09-021826	05JAN10	KK	AEG

- CONNECTOR MATES WITH ANY 37 POSN PLUG IN AMPLIMITE™ SERIES.
- MOLDED PARTS: FLAME RETARDANT 94V-0 RATED THERMOPLASTIC, BLACK.  
SHELL: STEEL PER ASTM A109  
CONTACTS: PHOSPHOR BRONZE PER QQ-B-750  
EYELETS: BRASS  
INSERTS AND SCREWLOCKS: ZINC  
BOARDLOCKS: COPPER ALLOY
- SHELL: .000100 MIN TIN OR TIN-LEAD  
CONTACTS: SEE TABLE  
EYELETS: TIN  
BOARDLOCKS: SEE TABLE  
INSERTS AND SCREWLOCKS: CLEAR CHROMATE
- GOLD PLATING PER MIL-G-45204, NICKEL PLATING PER QQ-N-290, TIN PLATING PER MIL-T-10727.
- GOLD FLASH FOR A DISTANCE OF .100 MIN FROM MATING END, .000100-.000200 BRIGHT TIN OR BRIGHT TIN-LEAD ON TERMINATION END, ALL OVER .000050 NICKEL ON ENTIRE CONTACT.
- .000030 GOLD FOR A DISTANCE OF .100 MIN FROM MATING END, .000100-.000200 BRIGHT TIN OR BRIGHT TIN-LEAD ON TERMINATION END, ALL OVER .000050 NICKEL ON ENTIRE CONTACT.
- SCREWLOCKS & INSERTS WILL WITHSTAND 4 IN-LBS TORQUE & 20 LBS PULL OUT FORCE FROM MATING FACE SIDE.
- DIMENSION APPLIES FROM CENTER OF CONTACTS.
- OBsolete PARTS: OBsolete CIS STREAMLINING PER D.RENAUD/D.SINISI



RECOMMENDED P.C. BOARD MOUNTING DIMENSIONS

OBSOLETE	FEMALE SCREWLOCKS	TIN	6	<del>6-747847-8</del>
	THREADED INSERTS	TIN	6	6-747847-7
SUPSD BY 747847-6	FEMALE SCREWLOCKS	TIN-LEAD	6	747847-6
	FEMALE SCREWLOCKS	TIN-LEAD	5	747847-5
SUPSD BY 747847-4	THREADED INSERTS	TIN-LEAD	6	747847-4
	THREADED INSERTS	TIN-LEAD	5	747847-3
SUPSD BY 747847-4	.125 DIA HOLES	TIN-LEAD	6	747847-2
	.125 DIA HOLES	TIN-LEAD	5	747847-1
OBSOLETE	MOUNTING HARDWARE	BOARDLOCK FINISH	CONTACT FINISH	PART NUMBER

THIS DRAWING IS A CONTROLLED DOCUMENT.

DIMENSIONS: INCHES	TOLERANCES UNLESS OTHERWISE SPECIFIED:	DWN: J. GALLUCCI/BG 28-JAN-01	CHK: W.G. LENKER 15-APR-01	AMP INCORPORATED Harrisburg, PA 17105-3608
0 PLC ±	1 PLC ±	APVD: J. YOUNG 15-APR-01	NAME: RECEPTACLE ASSEMBLY, SIZE 4, 37 POSITION, RIGHT ANGLE, FRONT METAL SHELL, .318 SERIES, .026 DIA POSTS, BOARDLOCKS, AMPLIMITE™ HD-20	RESTRICTED TO
2 PLC ±	3 PLC ±	PRODUCT SPEC: 108-40025	APPLICATION SPEC: 114-40010	SIZE: A100779
4 PLC ±.005	5 PLC ±	WEIGHT: -	CUSTOMER DRAWING	SCALE: 4:1 SHEET 1 OF 1 REV V1