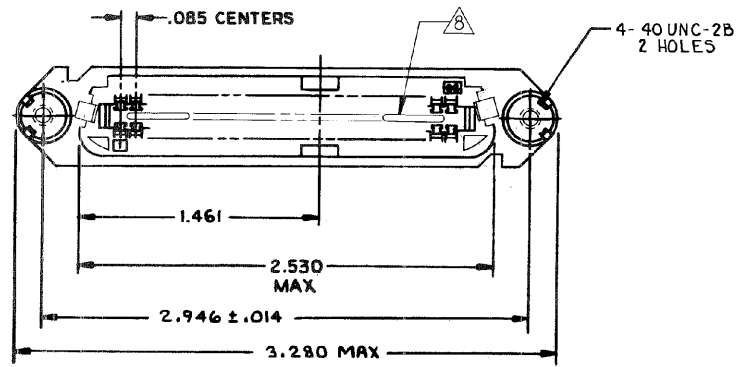
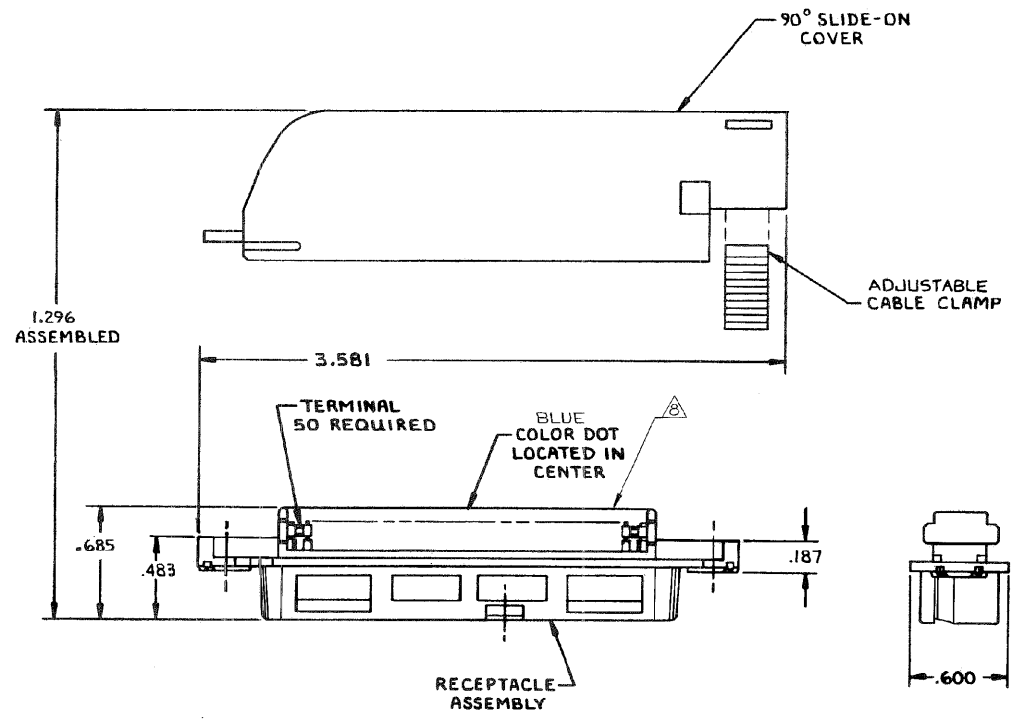


THIS DRAWING IS UNPUBLISHED. RELEASED FOR PUBLICATION
 © COPYRIGHT BY TYCO ELECTRONICS CORPORATION. ALL RIGHTS RESERVED.

LOC		DIST		REVISIONS			
P	LTR	DESCRIPTION	DATE	DWN	APVD		
GP	00	H	REVISED PER ECC-08-007327	27JAN2009	ZMR	WLM	



1. THE CONTACT SURFACES OF THE TERMINALS ARE COATED WITH LUBRICANT.
2. ALL DIMENSIONS ARE REFERENCE ONLY UNLESS OTHERWISE SPECIFIED.
3. MATERIAL:
HOUSING, COVER AND CABLE CLAMP - THERMOPLASTIC (BLACK)
TERMINALS - HIGH STRENGTH COPPER ALLOY PLATED WITH EITHER .000030 MIN GOLD OR GOLD FLASH OVER PALLADIUM NICKEL PLATE .000030 MIN TOTAL, ON MATING SURFACE. .000050 MIN NICKEL UNDERPLATE OVER ENTIRE TERMINAL.
4. COVER AND CABLE CLAMP SHIPPED UNASSEMBLED.
5. WIRE SIZE: 24 & 26 AWG SOLID OR 24 AWG 7 STRANDS OF COPPER CONDUCTOR. MAX INSULATION DIA OF .045 IS ACCEPTABLE FOR MOST APPLICATIONS.
6. CABLE RANGE: .425 MAX DIA
7. KIT SHIPPED IN POLYBAG FORM.
8. CORING MAY OR MAY NOT APPEAR AND IS AT THE DISCRETION OF TYCO ELECTRONICS.

AS SHOWN	553912-1
DESCRIPTION	PART NO

THIS DRAWING IS A CONTROLLED DOCUMENT.		DWN A. HOLT 9-13-82	Tyco Electronics Corporation Harrisburg, PA 17105-3608											
DIMENSIONS: INCHES		CHK M.D. FRIEL 9-14-82	NAME											
TOLERANCES UNLESS OTHERWISE SPECIFIED:		APVD C.F. MORGA 9-15-82	PRODUCT SPEC											
<table border="1"> <tr><td>0 PLC</td><td>± .005</td></tr> <tr><td>1 PLC</td><td>± .004</td></tr> <tr><td>2 PLC</td><td>± .003</td></tr> <tr><td>3 PLC</td><td>± .002</td></tr> <tr><td>4 PLC</td><td>± .001</td></tr> </table>		0 PLC	± .005	1 PLC	± .004	2 PLC	± .003	3 PLC	± .002	4 PLC	± .001	APPLICATION SPEC		RESTRICTED TO
0 PLC	± .005													
1 PLC	± .004													
2 PLC	± .003													
3 PLC	± .002													
4 PLC	± .001													
MATERIAL		WEIGHT	SIZE A2	CAGE CODE 00779										
FINISH		DRAWING NO 553912		REV H										
CUSTOMER DRAWING		SCALE NTS		SHEET 1 OF 1										

553912