

## Flush-type connector - SACC-CIP-M12MS-4P SMD R32 - 1411996

Please be informed that the data shown in this PDF Document is generated from our Online Catalog. Please find the complete data in the user's documentation. Our General Terms of Use for Downloads are valid (<http://phoenixcontact.com/download>)



Flush-type connector, 4-position, PlugLink:straightLink:M12, A - standard, PCB mounting, SMD

### Why buy this product

- Reduced mounting costs thanks to two-piece device connector
- Packaging available for automated pick and place assembly
- All common pin assignments and codings available
- Easy device integration thanks to mechanical port screw connections with threaded attachment, press-in contour or direct integration in the front plate
- Additional gasket for the device when not plugged in



### Key Commercial Data

Packing unit	1 STK
Minimum order quantity	100 STK
Weight per Piece (excluding packing)	6.8 g
Custom tariff number	85366990
Country of origin	Germany

### Technical data

#### Ambient conditions

Ambient temperature (operation)	-40 °C ... 105 °C (Plug / socket)
	-55 °C ... 105 °C (without mechanical actuation)
Degree of protection	IP67 (correctly plugged in and locked)
	IP65 (not plugged in, by means of additional O-ring seal with device)

#### General

# Flush-type connector - SACC-CIP-M12MS-4P SMD R32 - 1411996

## Technical data

### General

Note	The electrical and mechanical data specified assume that the connector pair is correctly locked and mounted. If the connector is unlocked and if there is a danger of contamination, the connector must be sealed using a protective cap > IP54. Influences arising from litz wires, cables or PCB assembly must also be taken into consideration.
Rated current at 40°C	4 A
Rated voltage	250 V
Rated surge voltage	2.5 kV
Number of positions	4
Insulation resistance	≥ 100 MΩ
Coding	A - standard
Standards/regulations	M12 connector IEC 61076-2-101 In line with
Overvoltage category	II
Degree of pollution	3
Connection method	SMD
Insertion/withdrawal cycles	> 100
Mounting type	PCB mounting
Type of packaging	Belt
Delivery state	with assembly pad

### Material

Flammability rating according to UL 94	V0
Contact material	CuZn
Contact surface material	Au
Contact carrier material	PA
Sealing material	FKM

### Cable

Standards/specifications	M12 connector IEC 61076-2-101 In line with
--------------------------	--

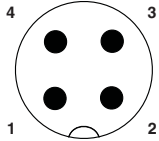
### Standards and Regulations

Standard designation	M12 connector
Standards/regulations	IEC 61076-2-101
Flammability rating according to UL 94	V0

## Drawings

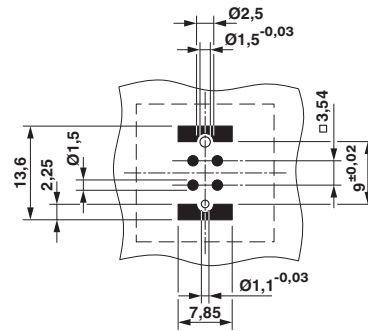
# Flush-type connector - SACC-CIP-M12MS-4P SMD R32 - 1411996

Schematic diagram



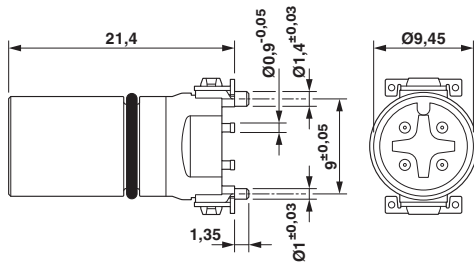
Pin assignment M12 plug, 4-pos., A-coded, view plug side

Drilling diagram



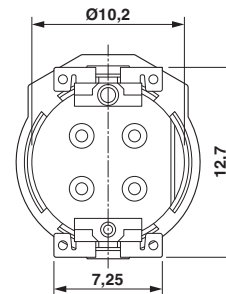
Soldering pad geometry

Dimensional drawing



M12 male connector contact carrier

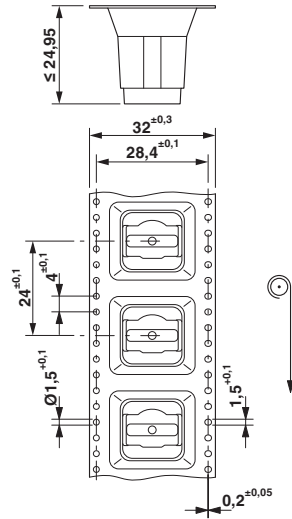
Dimensional drawing



View of solder side

# Flush-type connector - SACC-CIP-M12MS-4P SMD R32 - 1411996

Dimensional drawing



SMD tape-on-reel packing

## Classifications

eCl@ss

eCl@ss 5.1	27143423
eCl@ss 6.0	27143423
eCl@ss 8.0	27440103
eCl@ss 9.0	27440102

ETIM

ETIM 5.0	EC002061
----------	----------

## Approvals

Approvals

---

Approvals

EAC / cULus Recognized

---

Ex Approvals

---

Approvals submitted

# Flush-type connector - SACC-CIP-M12MS-4P SMD R32 - 1411996

## Approvals

### Approval details

EAC
-----

cULus Recognized	
Nominal current I <sub>N</sub>	4 A
Nominal voltage U <sub>N</sub>	250 V

## Accessories

### Accessories

#### Contact insert

Sample set - SACC-CIP-M12MS-4P SMD-SP - 1418643



Sample set, 4-position, PlugLink:straightLink:M12, A - standard, PCB mounting, SMD

### Panel mounting base

Housing screw connection - SACC-BP-M-M12/M15-6-SMD - 1414000



Housing screw connection, PlugLink:M12, Rear mounting, M15 x 1

Housing screw connection - SACC-BP-M-M12/M15-6-SMD SCO - 1414002



Housing screw connection, PlugLink:M12-SPEEDCON, Rear mounting, M15 x 1

## Flush-type connector - SACC-CIP-M12MS-4P SMD R32 - 1411996

### Accessories

Housing screw connection - SACC-FP-M-M12/M14 SMD - 1412078



Housing screw connection, PlugLink:M12, Front mounting, M14 x 1

---

Housing screw connection - SACC-FP-M-M12/PRESS SMD - 1412080



Housing screw connection, pin, for the two-part M12 SMD connector, for press-in mounting.

---

---