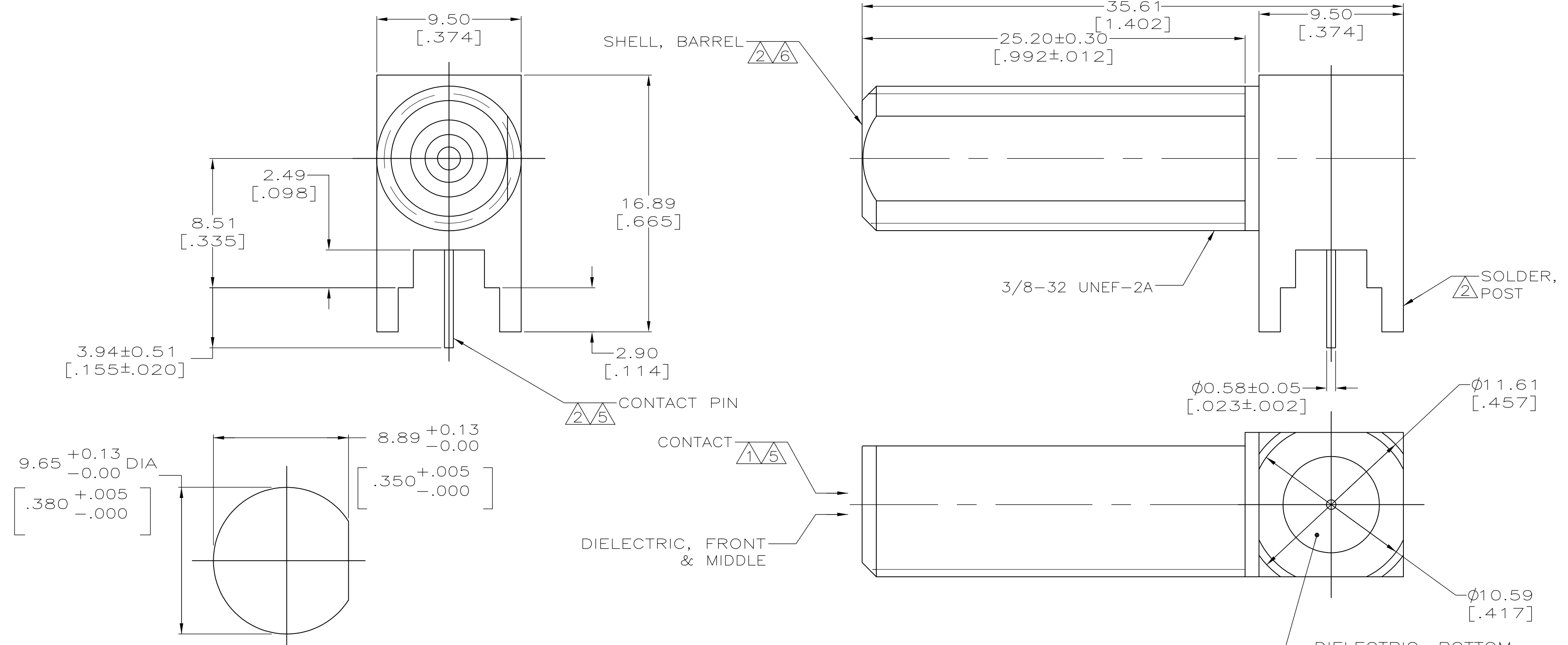
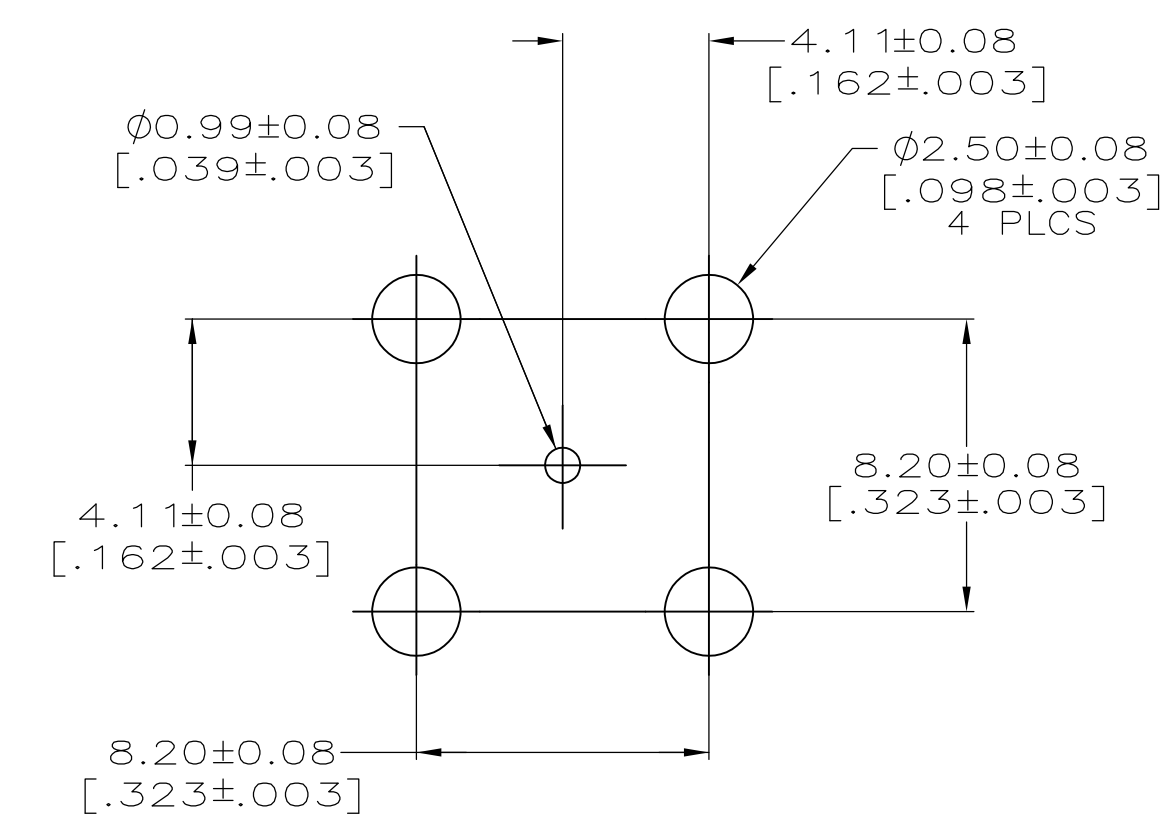


LOC	DIST	REVISIONS			
P	LTR	DESCRIPTION	DATE	DWN	APVD
AJ	00				
J		REVISED PER ECO 06-016786	1/22/2007	DW	KW
J1		REVISED PER ECO-09-020932	04SEP09	KK	AEG



SUGGESTED PANEL CUTOUT



PCB CONFIGURATION

- 1 PHOSPHOR BRONZE.
- 2 BRASS.
- 3 PTFE.
- 4 ACETAL, GENERAL PURPOSE
- 5 TIN PLATE 2.54 μm [.000100] MINIMUM THICK.
- 6 NICKEL PLATE 2.54 μm [.000100] MINIMUM THICK.
- 7 POLYPROPYLENE, GENERAL PURPOSE
- 8. CONNECTOR WILL ACCEPT CENTER CONDUCTOR DIAMETER RANGE OF .020-.047.
- 9 OBSOLETE PARTS: OBSOLETE CIS STREAMLINING PER D.RENAUD/D.SINISI

	1	2	3	4	5	6	7	8	9
SOLDER POST PLATING									
FRONT DIELECTRIC MATERIAL									
MIDDLE DIELECTRIC MATERIAL									
BOTTOM DIELECTRIC MATERIAL									
PART NUMBER									

THIS DRAWING IS A CONTROLLED DOCUMENT.

DWN: J. LIPPERT 08AUG96
 CHK: K. WEIDNER 10MAR97
 APVD: K. WEIDNER 10MAR97

tyco Tyco Electronics Corporation
 Harrisburg, PA 17105-3608

PRODUCT SPEC: 108-1755
 APPLICATION SPEC: -

SIZE: A2 CAGE CODE: 00779 DRAWING NO: 415024
 RESTRICTED TO: -

MATERIAL: SEE NOTES 1-4, 7 FINISH: SEE NOTE 5 & 6 WEIGHT: -

CUSTOMER DRAWING SCALE: 5:1 SHEET: 1 OF 1 REV: J1