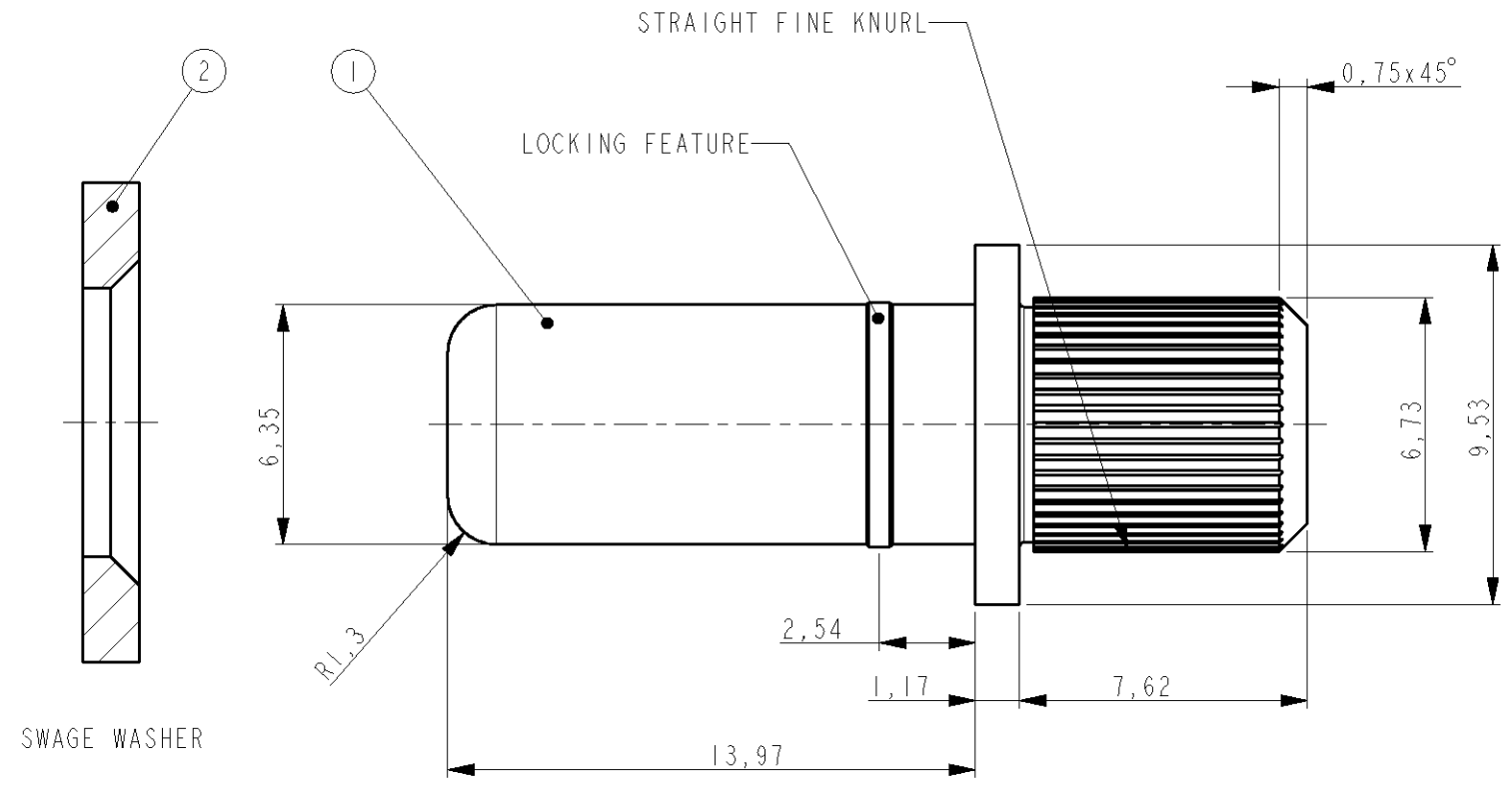
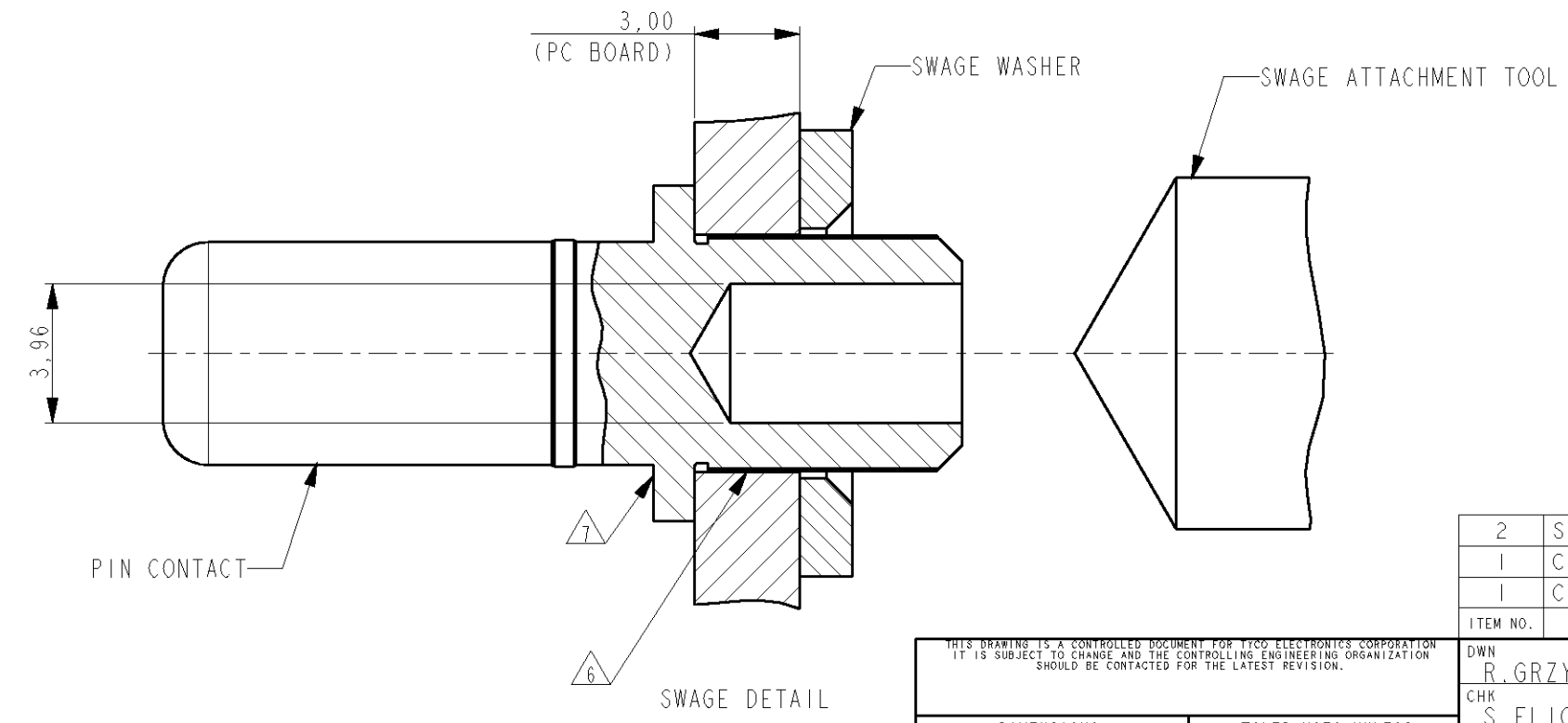


THIS DRAWING IS UNPUBLISHED. RELEASED FOR PUBLICATION
 © COPYRIGHT - BY TYCO ELECTRONICS CORPORATION. ALL RIGHTS RESERVED.

LOC	DIST	REVISIONS					
		P	LTR	DESCRIPTION	DATE	DWN	APVD
H	-		A	RELEASED	03APR06	RG	SF
			B	ECR-08-017970	21JUL2008	JvdH	RL



- NOTES:
- 1 PART NUMBER CHANGES AND/OR DESIGN CHANGES AFFECTING ITEM INTERCHANGEABILITY REQUIRE PRIOR TYCO ELECTRONICS APPROVAL AND AUTHORIZATION BY REVISION TO THIS DRAWING.
 - 2 ITEMS PROVIDED TO THIS SPECIFICATION SHALL BE IDENTIFIED ON THE CONTAINER. WITH THE FOLLOWING INFORMATION: PART NUMBER&DATE CODE OF MANUFACTURE.
 - 3 MATERIAL: - PIN CONTACT : COPPER ALLOY
- SWAGE WASHER : STEEL.
 - 4 FINISH; -PIN CONTACT: SILVER 5,0μ MIN THK. OVER NICKEL 1,0μ MIN. THK.
 - 5 FINISH; -PIN CONTACT: GOLD 0,5μ MIN THK. OVER NICKEL 1,0μ MIN. THK.
 - 6 RECOMMENDED HOLE DIAMETER AFTER PLATING: ø6,60 +0,07 / -0,03
 - 7 RETAIN PIN CONTACT WITH SUPPORT TOOL BEFORE SWAGE OPERATION.



ITEM NO.	DESCRIPTION	MATERIAL	FINISH	QUANTITY
2	SWAGE WASHER 1,5MM THICK	STEEL		1
1	CONTACT PIN SIZE #4	COPPER ALLOY	5	1
1	CONTACT PIN SIZE #4	COPPER ALLOY	4	1

THIS DRAWING IS A CONTROLLED DOCUMENT FOR TYCO ELECTRONICS CORPORATION IT IS SUBJECT TO CHANGE AND THE CONTROLLING ENGINEERING ORGANIZATION SHOULD BE CONTACTED FOR THE LATEST REVISION.

DIMENSIONS:	TOLERANCES UNLESS OTHERWISE SPECIFIED:
mm	0 PLC ±-
	1 PLC ±-
	2 PLC ±-
	3 PLC ±-
	4 PLC ±-
	ANGLES ±-
MATERIAL -	FINISH -

DWN 04APR2008 R.GRZYBOWSKI
 CHK 03APR06 S.FLICKINGER
 APVD 03APR06 S.FLICKINGER

Tyco Electronics Tyco Electronics Corporation
 's-Hertogenbosch, Nederland

NAME: PIN CONTACT, SIZE NO.4
 SWAGE MOUNT
 LOCKING STYLE, PRESS FIT

SIZE: A3 CAGE CODE: 00779 DRAWING NO: C=6648222 RESTRICTED TO: -

CUSTOMER DRAWING SCALE: SHEET OF REV B

6648222-1
 6648222-2