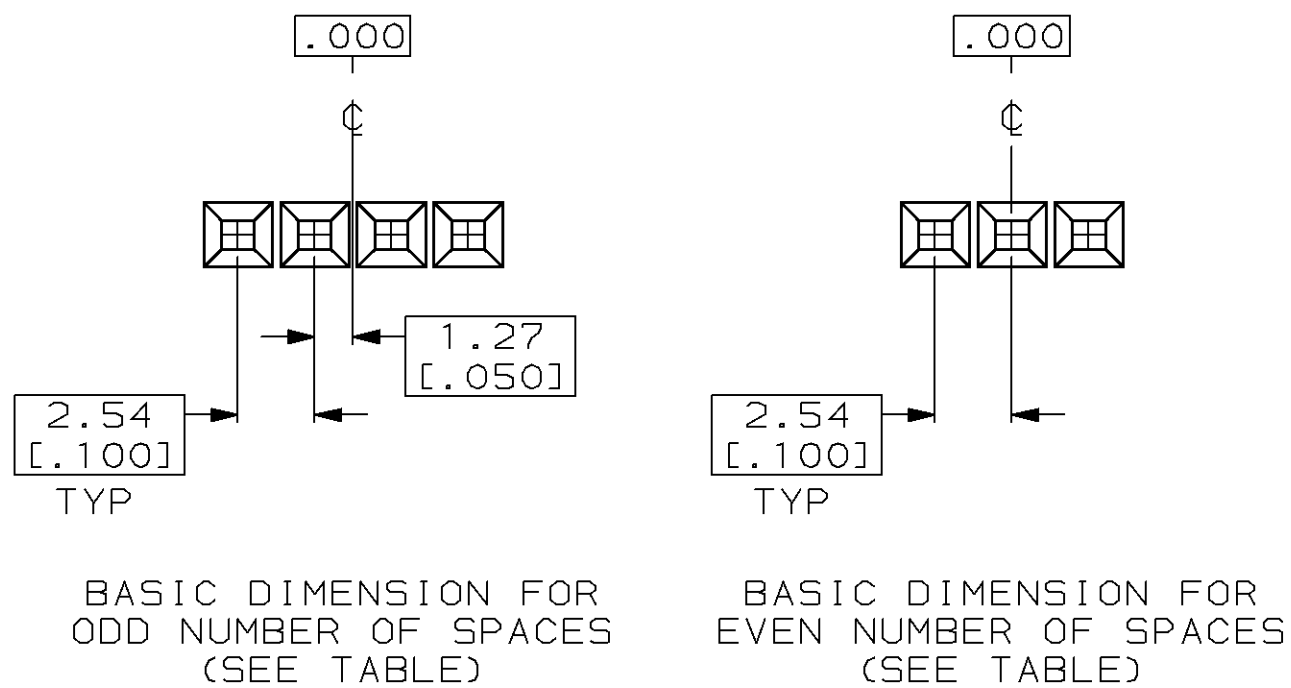


THIS DRAWING IS UNPUBLISHED. RELEASED FOR PUBLICATION
 © COPYRIGHT 19 BY AMP INCORPORATED. ALL INTERNATIONAL RIGHTS RESERVED.

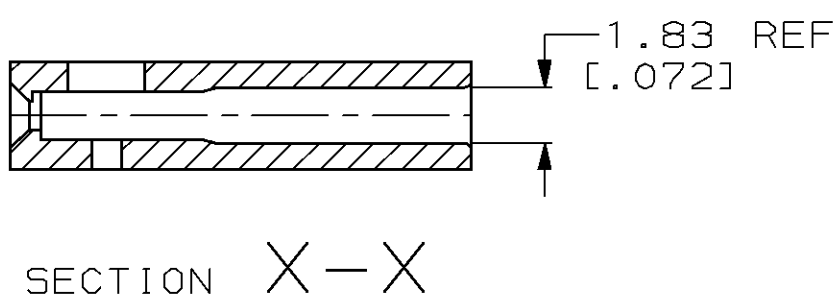
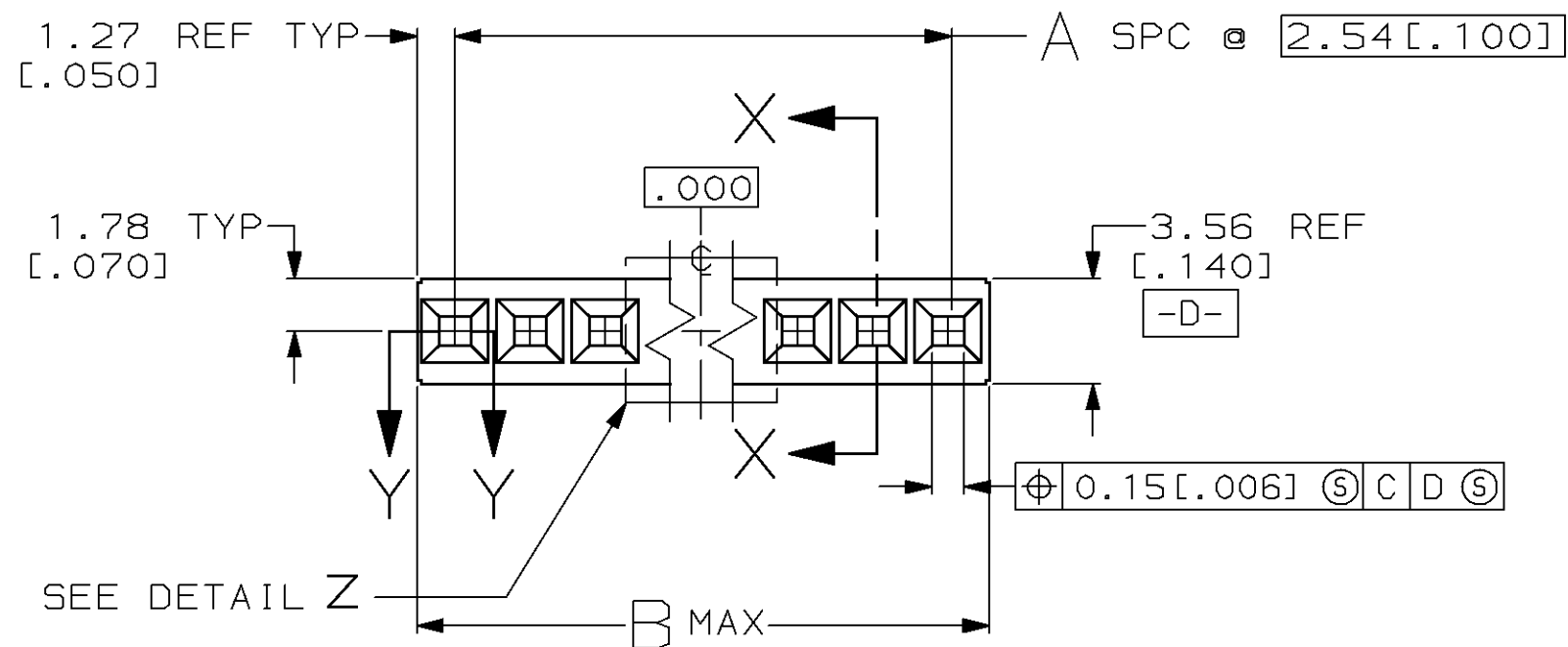
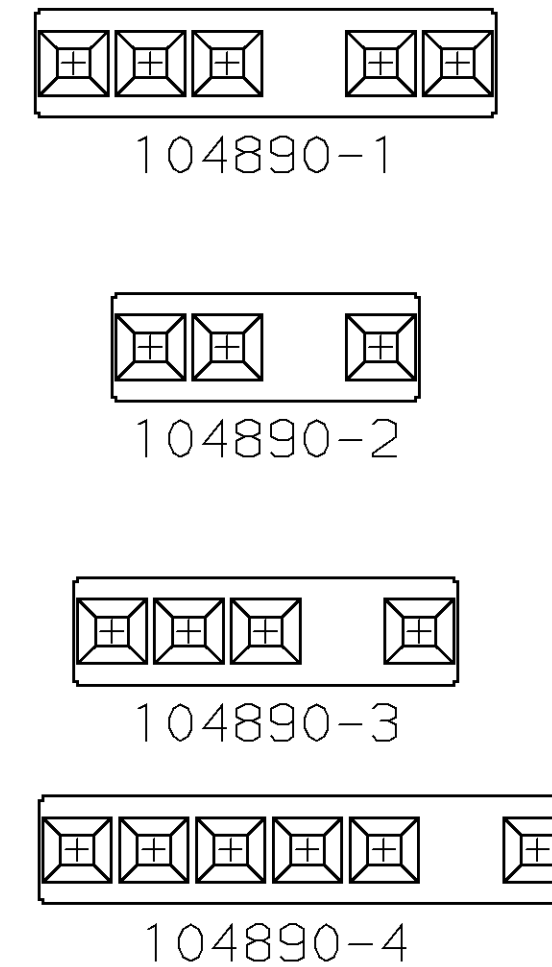
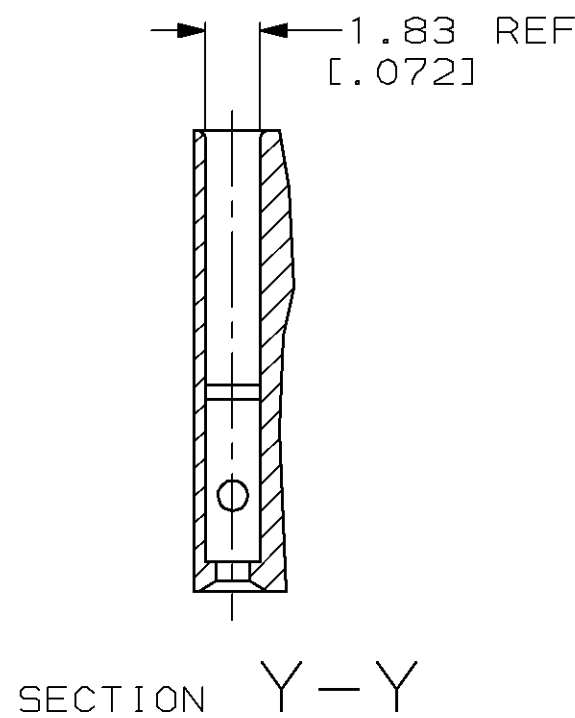
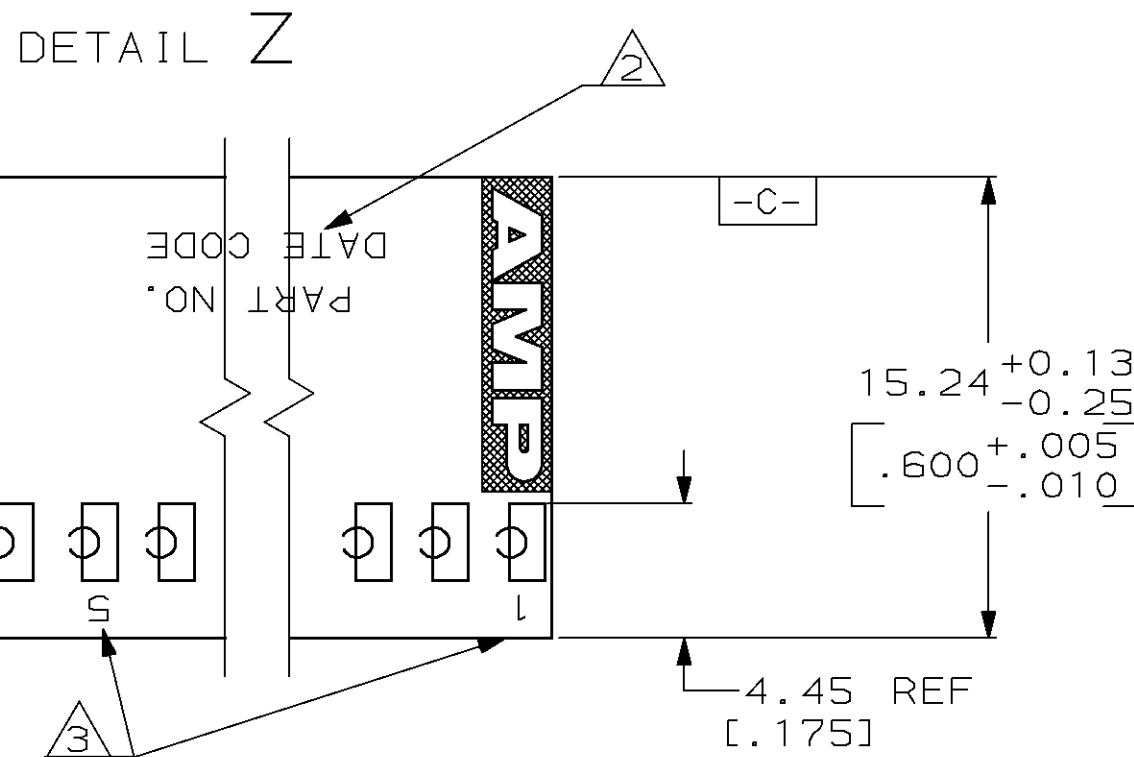
MOD	Loc	DIST	P	F	ZONE	LTR	REVISIONS	DATE	APPD
30	AD	39				F	REV. PER 0310-0040-98	07/29/98	GB



BASIC DIMENSION FOR
ODD NUMBER OF SPACES
(SEE TABLE)

BASIC DIMENSION FOR
EVEN NUMBER OF SPACES
(SEE TABLE)

- USE EXTRACTION TOOL 91052-1 TO REMOVE RECEPTACLE CONTACTS.
- INK MARK PART NO. AND DATE CODE .062±.015 HIGH CHARACTERS, IN APPROXIMATE AREA SHOWN.
- INK MARK CAVITY IDENTIFICATION .046±.015 HIGH CHARACTERS, FIRST AND EVERY FIFTH CAVITY, ONE SIDE ONLY AS SHOWN.



NO. OF POSN	PART NUMBER	MARKING	UNMARKED IN PROCESS P/N	UNMARKED IN PROCESS P/N
6	7	104890-4	17.91 [0.705]	2
4	5	104890-3	12.83 [0.505]	2
3	4	104890-2	10.29 [0.405]	2
5	6	104890-1	15.37 [0.605]	3

PART NO		NAME	
104890		HOUSING, MOD IV, SINGLE ROW, 2.54 [0.100] ϕ , CRIMP SNAP-IN	
SIZE	FSCM NO	DRAWING NO	
C	00779	104890	
SCALE	4:1	SHEET 1 OF 1	