

THIS DRAWING IS UNPUBLISHED.

RELEASED FOR PUBLICATION

LOC

DIST

REVISIONS

© COPYRIGHT - By -

ALL RIGHTS RESERVED.

GP

00

P

LTR

DESCRIPTION

DATE

DWN

APVD

D

REVISED PER ECO-14-000651

05FEB2014

AP

SB

1 FOR LOCAL DATA REFER TO YOUR LOCAL TE CONNECTIVITY SALES OFFICE.

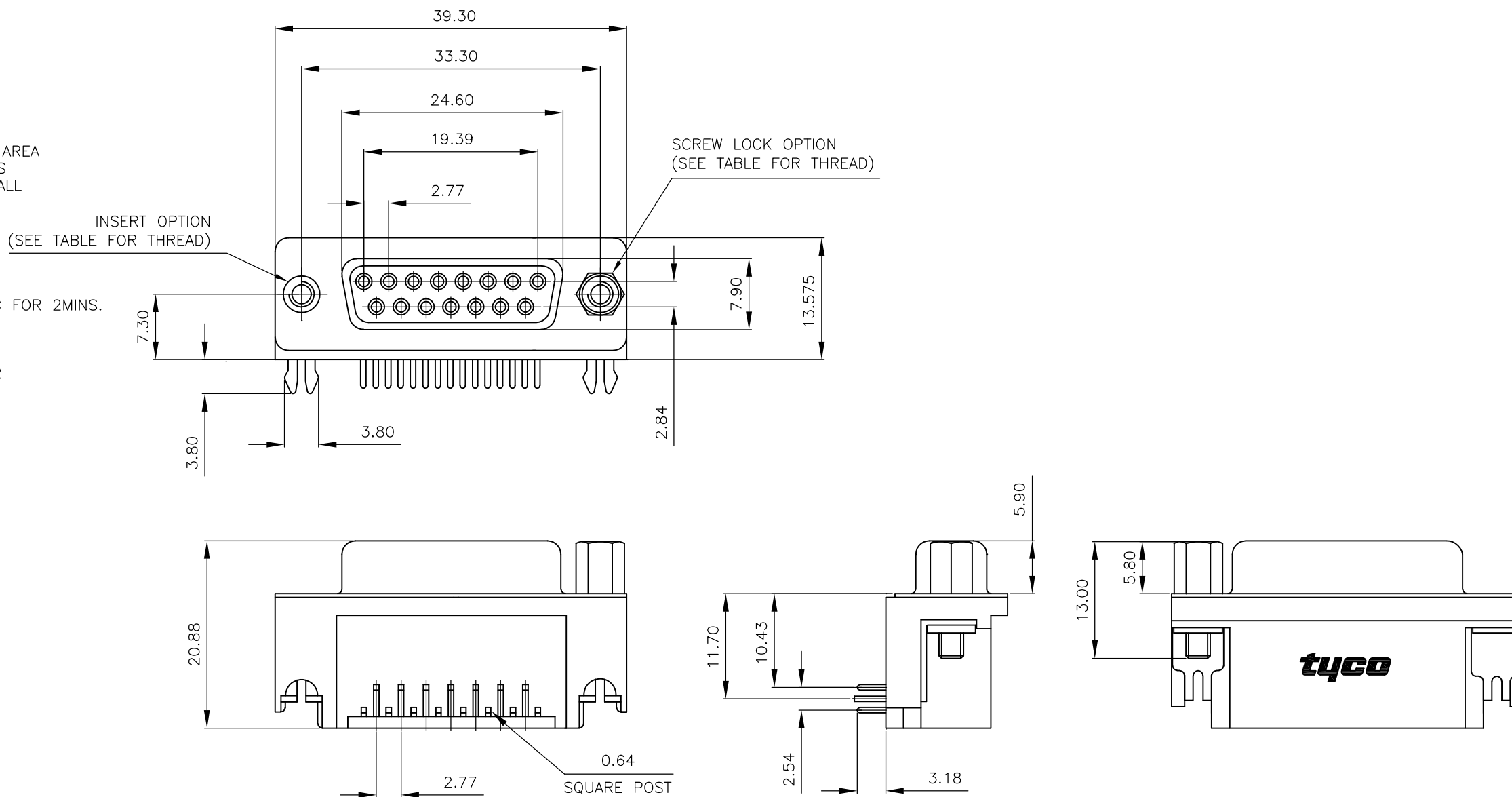
2 ALL DIMENSIONS ARE NOMINAL FOR REFERENCE ONLY UNLESS OTHERWISE STATED.

3 MATERIAL :
HOUSING : THERMOPLASTIC, UL94V-0
BLACK COLOR
CONTACTS : PHOSPHOR BRONZE
SHELL : STEEL
BOARDLOCK : BRASS
SCREW : BRASS

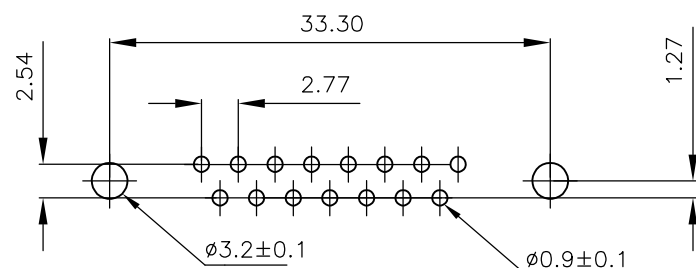
4 FINISH :
CONTACT : 0.38µm MIN.GOLD PLATED ON CONTACT AREA
2.54µm MIN. TIN PLATED ON SOLDER TAILS
1.27µm MIN. NICKEL UNDERPLATED OVERALL
SHELL : 2.54 µm MIN NICKEL PLATED.
BOARD LOCK : 1.52µm MIN. TIN PLATED
SCREW : 1.27µm MIN. NICKEL PLATED.

5 CHARACTERISTICS
CURRENT RATING : 5A
INSULATION RESISTANCE : 1000MOHMS MIN, 500VDC FOR 2MINS.
TEMPERATURE RATING : -55DEGC ~ +105DEGC
VOLTAGE RATING : 250VDC

6 OBSOLETE PARTS: OBSOLETE CIS STREAMLINING PER D.RENAUD/D.SINISI.



P.C.B. LAYOUT



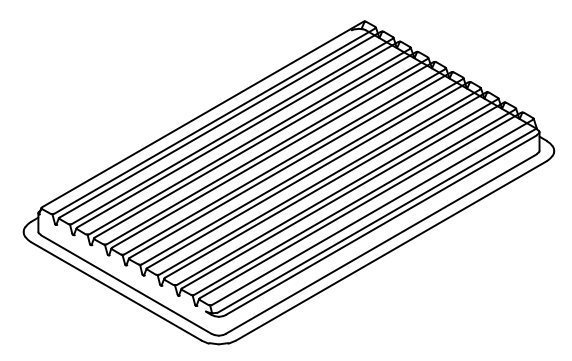
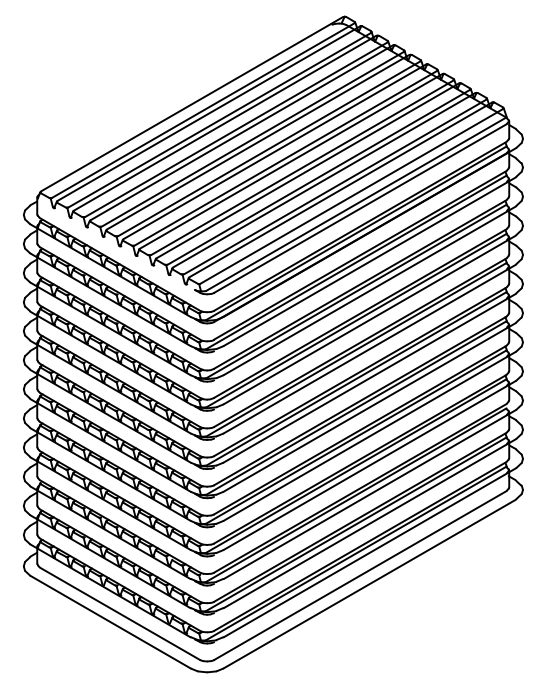
OBSOLETE	15 WAY D SOCKET WITH BOARD LOCKS & 2 x M3 SCREW LOCKS, 0.38µm GOLD, RIGHT ANGLE	4-1634585-2
	15 WAY D SOCKET WITH BOARD LOCKS & 2 x 4-40 SCREW LOCKS, 0.38µm GOLD, RIGHT ANGLE	3-1634585-2
6 OBSOLETE	15 WAY D SOCKET WITH BOARD LOCKS & 2 x M3 INSERTS, 0.38µm GOLD, RIGHT ANGLE	2-1634585-2
	15 WAY D SOCKET WITH BOARD LOCKS & 2 x 4-40 INSERTS, 0.38µm GOLD, RIGHT ANGLE	1-1634585-2
	DESCRIPTION	PART No.

THIS DRAWING IS A CONTROLLED DOCUMENT.		DWN	J.SANDWELL	15SEP2003	STE TE Connectivity		
DIMENSIONS: mm		CHK	S.EBBUTT	15SEP2003			
TOLERANCES UNLESS OTHERWISE SPECIFIED:		APVD	F.WHEELER-KING	15SEP2003	NAME		
0 PLC ± -		PRODUCT SPEC		15 WAY D-SUB SOCKET WITH BOARD LOCK			
1 PLC ± -		APPLICATION SPEC		-			
2 PLC ± -		SIZE	A3	CAGE CODE	00779	DRAWING NO	C-1634585
3 PLC ± -		RESTRICTED TO		-			
4 PLC ± -		WEIGHT		-			
ANGLES ± -		CUSTOMER DRAWING		SCALE	NTS	SHEET	1 OF 2
FINISH -		REV		D			

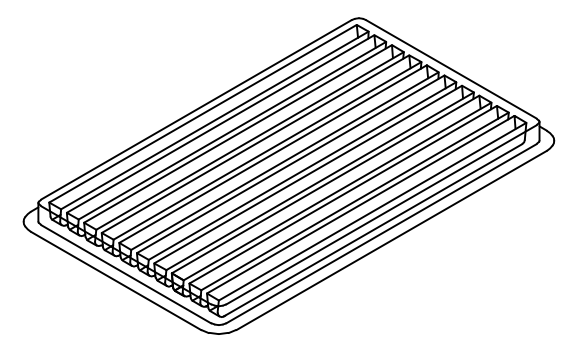
THIS DRAWING IS UNPUBLISHED. RELEASED FOR PUBLICATION
 © COPYRIGHT - By - ALL RIGHTS RESERVED.

LOC	DIST	REVISIONS			
P	LTR	DESCRIPTION	DATE	DWN	APVD
GP	00	-	SEE SHEET 1	-	-

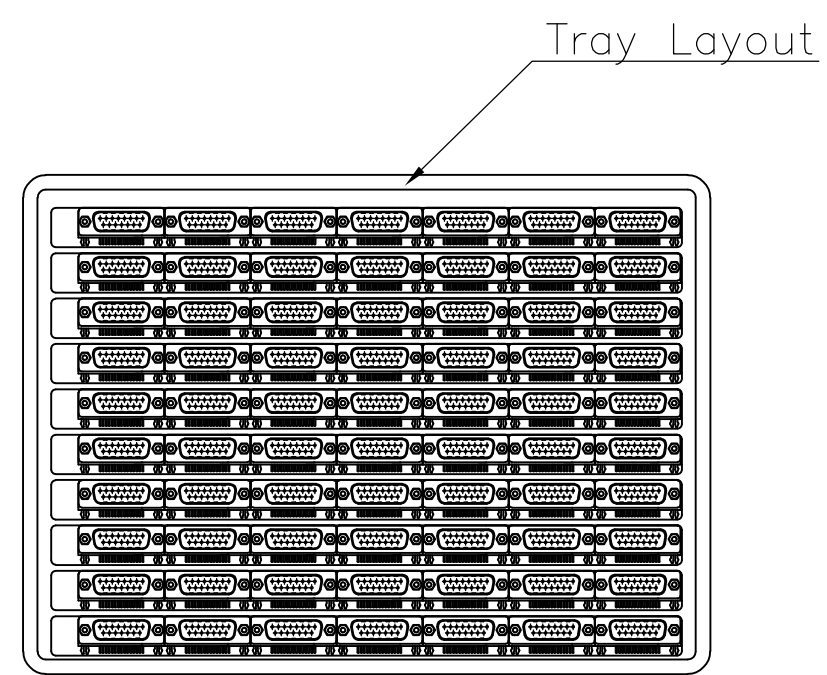
- 1 DIMENSION:
 TRAY:L=310,W=220,H=23
 SHIPPING BOX:L=335,W=230,H=320
- 2 QUANTITY:
 70 PCS/TRAY
 13 TRAY/SHIPPING BOX



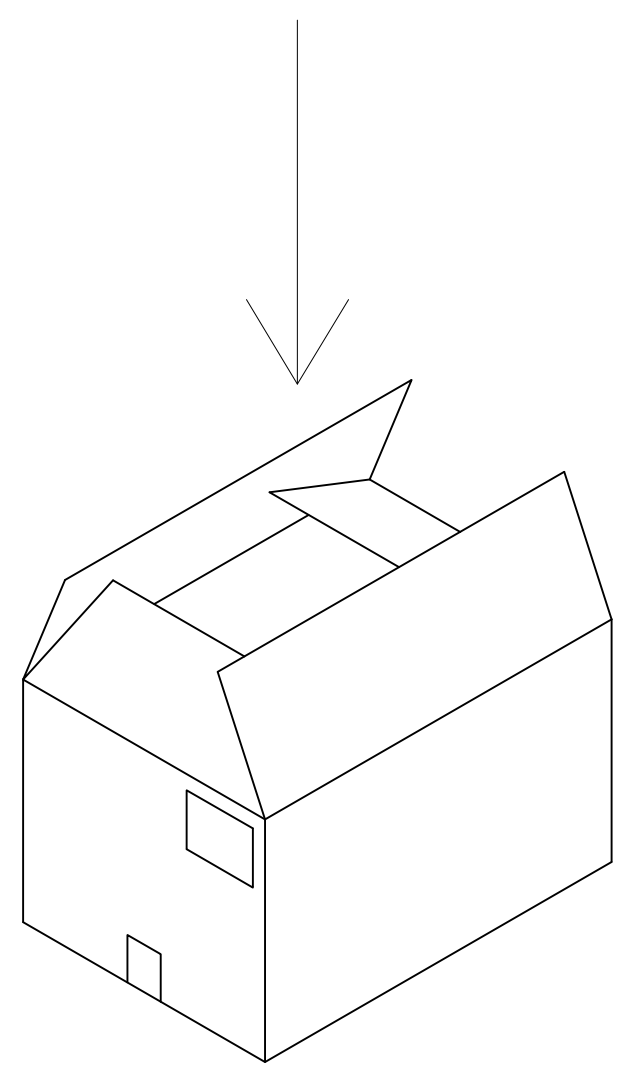
COVER


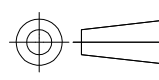


TRAY



Tray Layout



THIS DRAWING IS A CONTROLLED DOCUMENT.		DWN J.SANDWELL 15SEP2003	 TE Connectivity				
DIMENSIONS: mm 		CHK S.EBBUTT 15SEP2003				NAME 15 WAY D-SUB SOCKET WITH BOARD LOCK	
TOLERANCES UNLESS OTHERWISE SPECIFIED: 0 PLC ± - 1 PLC ± - 2 PLC ± - 3 PLC ± - 4 PLC ± - ANGLES ± -		APVD F.WHEELER-KING 15SEP2003	PRODUCT SPEC				
MATERIAL		FINISH	APPLICATION SPEC	SIZE	CAGE CODE	DRAWING NO	RESTRICTED TO
-		-	-	-	A300779	C-1634585	-
CUSTOMER DRAWING			WEIGHT	SCALE	SHEET	REV	
-			-	NTS	2 OF 2	D	