

MODEL:

# SRSHELF4PSLHD

## Heavy-Duty Sliding Shelf for 4-Post Racks



200 lb.  
Load Capacity



28.3 in. Depth

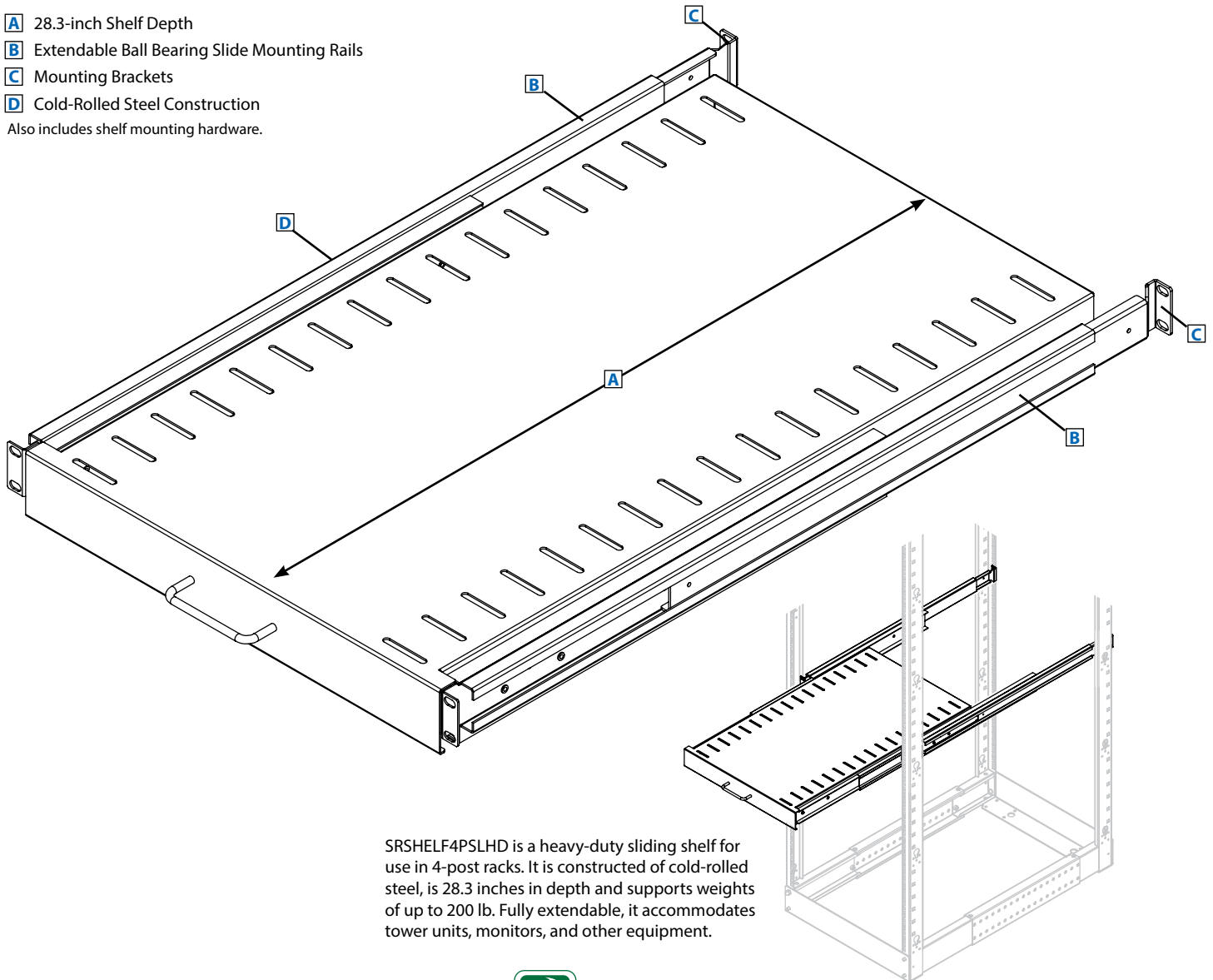


Sturdy Steel  
Construction



Fully Extendable  
Shelf

- A** 28.3-inch Shelf Depth
  - B** Extendable Ball Bearing Slide Mounting Rails
  - C** Mounting Brackets
  - D** Cold-Rolled Steel Construction
- Also includes shelf mounting hardware.



SRSHELF4PSLHD is a heavy-duty sliding shelf for use in 4-post racks. It is constructed of cold-rolled steel, is 28.3 inches in depth and supports weights of up to 200 lb. Fully extendable, it accommodates tower units, monitors, and other equipment.

### Specifications

Model	SRSHELF4PSLHD
Load Rating	200 lb (91 kg)
Unit Dimensions (H x W x D)	2.36 x 18.98 x 30.11 in. (60 x 482 x 765 mm)
Shipping Dimensions (H x W x D)	3 x 20 x 31 in. (76 x 508 x 787 mm)
Unit Weight	22 lb (10 kg)
Shipping Weight	24 lb (11 kg)
Standards	Tested to RoHS and GOST

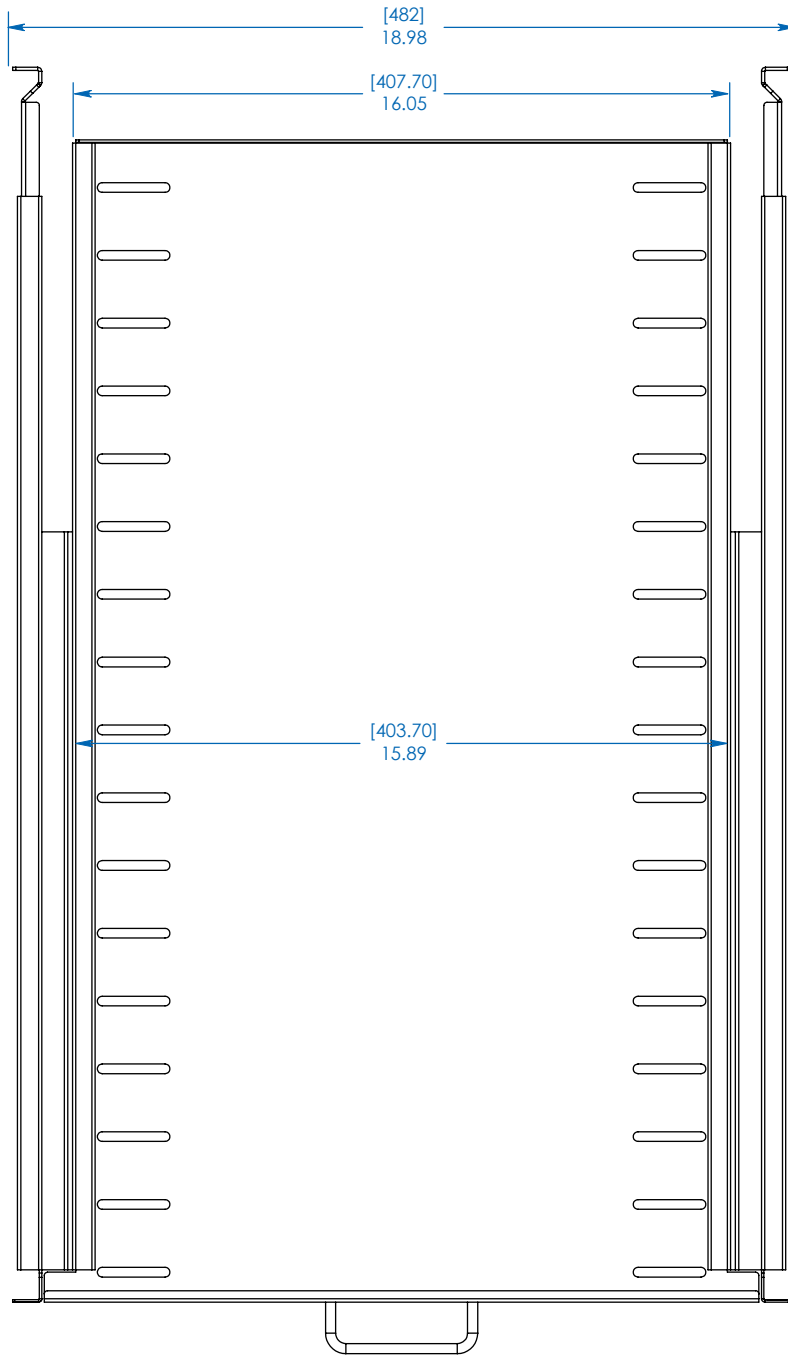
Tripp Lite has a policy of continuous improvement. Specifications are subject to change without notice.



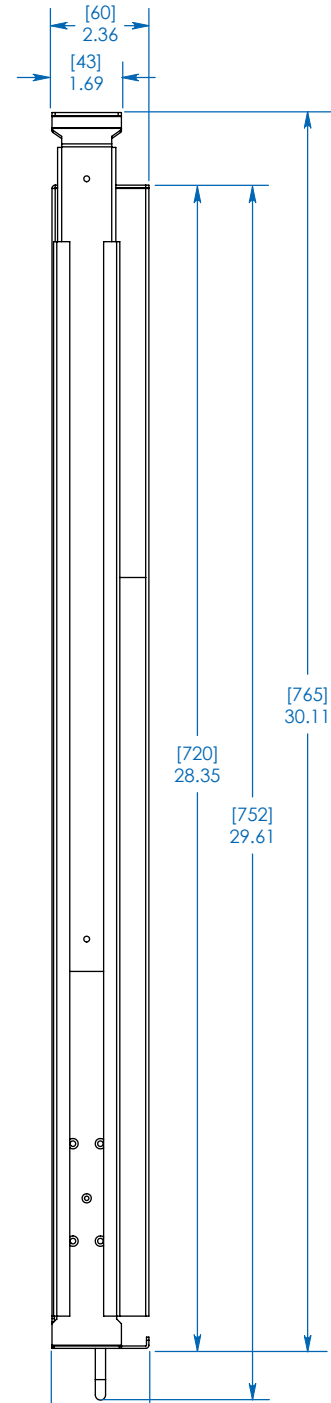
SEE NEXT PAGE FOR DETAILED UNIT MEASUREMENTS



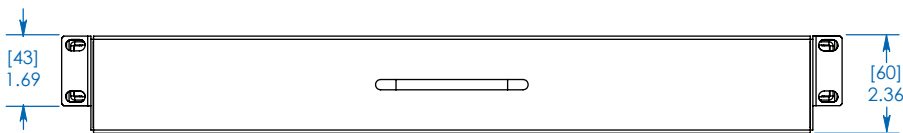
1111 W. 35th Street  
Chicago, IL 60609 USA  
773.869.1234  
www.tripplite.com



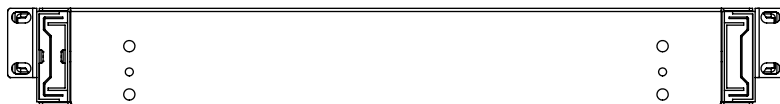
TOP VIEW



SIDE VIEW



FRONT VIEW



REAR VIEW

MODEL:  
**SRSHELF4PSLHD**



1111 W. 35th Street  
Chicago, IL 60609 USA  
773.869.1234

[www.tripplite.com](http://www.tripplite.com)

Dimensions: [mm] INCHES

Tripp Lite has a policy of continuous improvement. Specifications are subject to change without notice.