

MATERIALS AND FINISHES:

BODY: ZINC  
PLATED NICKEL

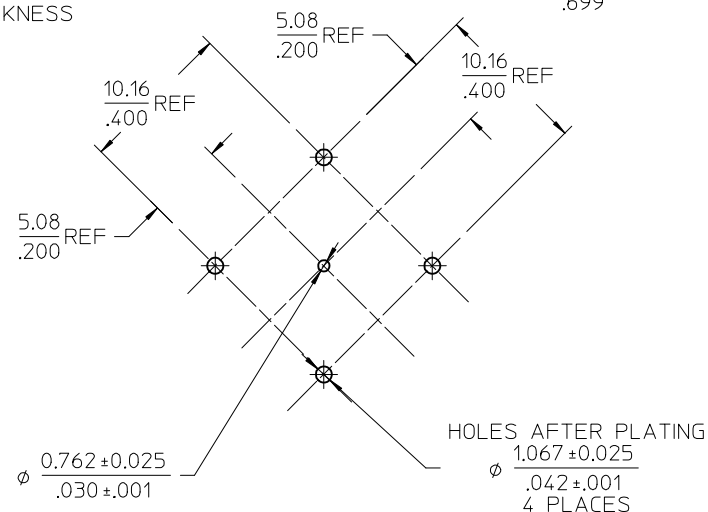
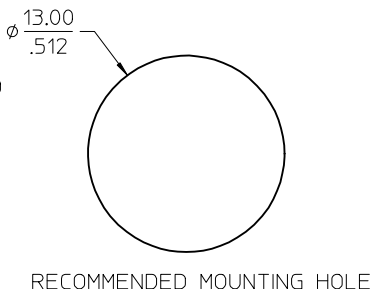
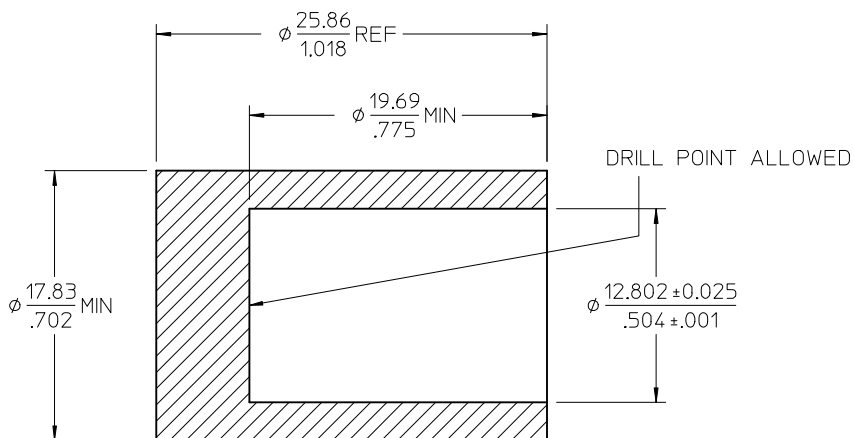
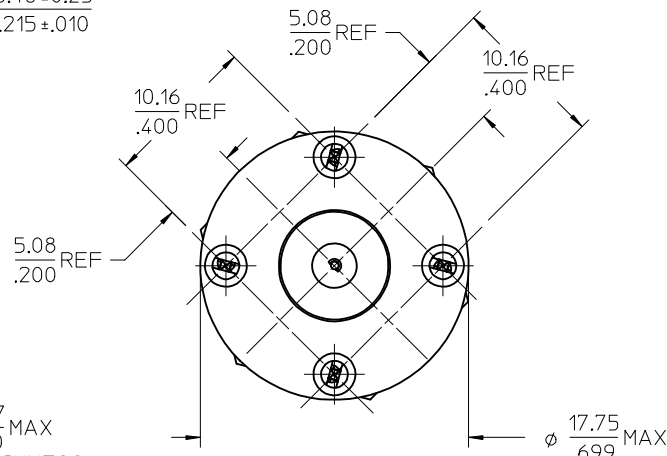
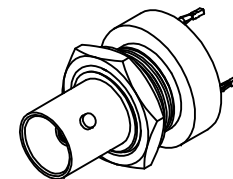
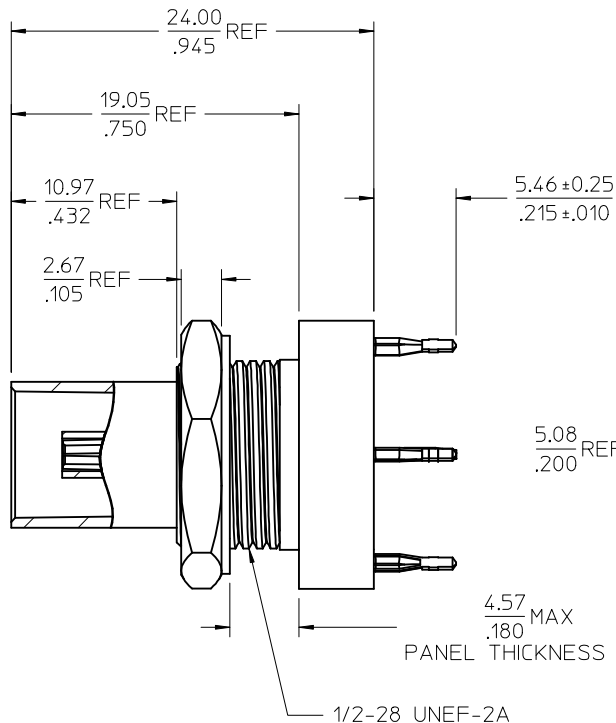
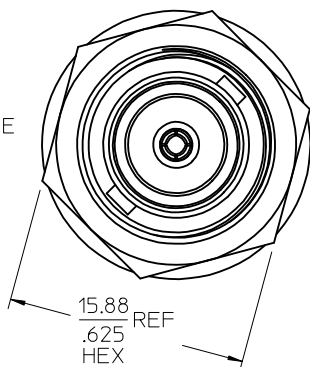
CENTER CONTACT: BERYLLIUM COPPER  
PLATED GOLD

COMPLIANT GROUND PIN: PHOSPHOR BRONZE  
PLATED TIN

INSULATOR TEFLON

LOCKWASHER: PHOSPHOR BRONZE  
PLATED NICKEL

JAM NUT: BRASS  
PLATED NICKEL



SUGGESTED TOOL TO PRESS  
CONNECTORS ONTO PCB  
TOOL NOT INCLUDED WITH CONNECTOR

PART # 73171-0950

CHG: ASSEMBLY TOOL ADD BODY WAS BRASS EC NO: URF2013-0328 2012/12/10 DRAWN: WIENER 2012/12/10 CHKD: SSS 2012/12/10 APPR: WIENER 2012/12/10 REV: A3	QUALITY SYMBOLS ▽=0 ▽=0	GENERAL TOLERANCES (UNLESS SPECIFIED) mm INCH 4 PLACES ± --- ± --- 3 PLACES ± --- ± --- 2 PLACES ± --- ± --- 1 PLACE ± --- ± --- ANGULAR ± 2 °	DIMENSION STYLE MM/IN DRAWN BY DATE GMH 1999/09/27 CHECKED BY DATE GMH 1999/09/27 APPROVED BY DATE GMH 1999/09/27	SCALE DESIGN UNITS METRIC THIRD ANGLE PROJECTION	TITLE BNC JACK, W/CONFORMABLE PINS, PCB, 75 OHMS BNC-J/PCB	MATERIAL NO. 731710950	DOCUMENT NO. SD-73171-095	SHEET NO. 1 OF 1		
	DRAFT WHERE APPLICABLE MUST REMAIN WITHIN DIMENSIONS		MOLEX INCORPORATED		MOLEX INCORPORATED		THIS DRAWING CONTAINS INFORMATION THAT IS PROPRIETARY TO MOLEX INCORPORATED AND SHOULD NOT BE USED WITHOUT WRITTEN PERMISSION			