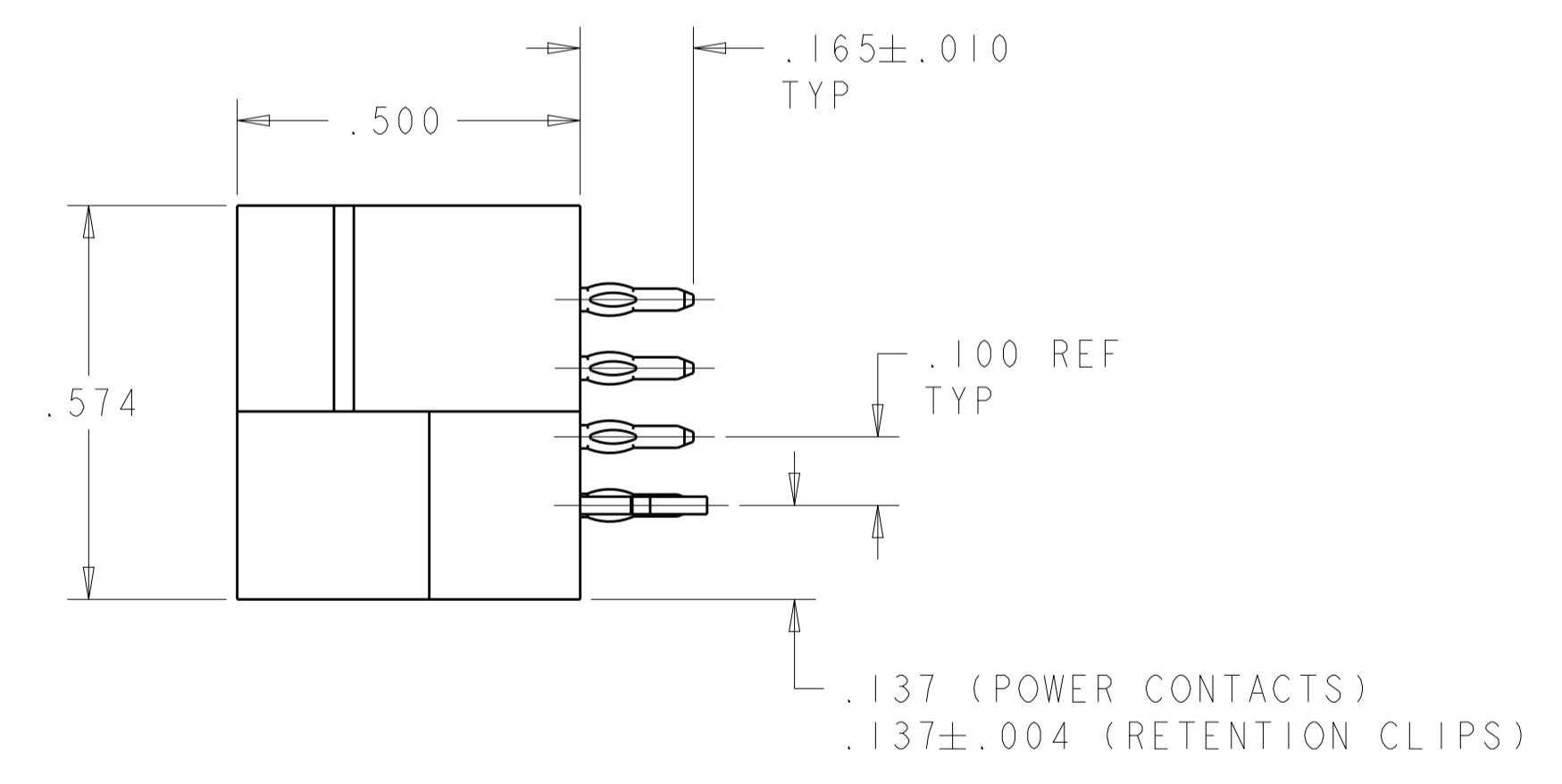
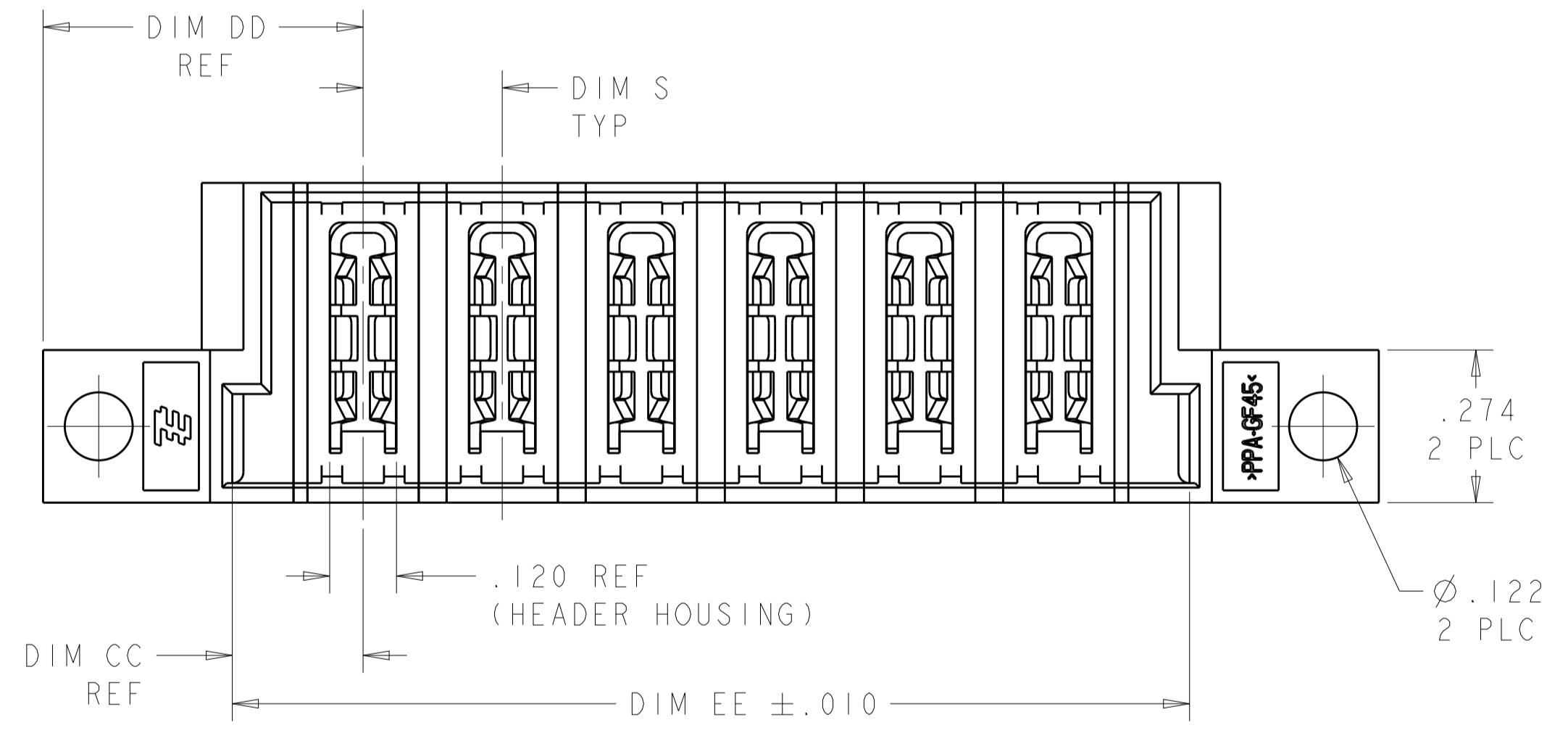
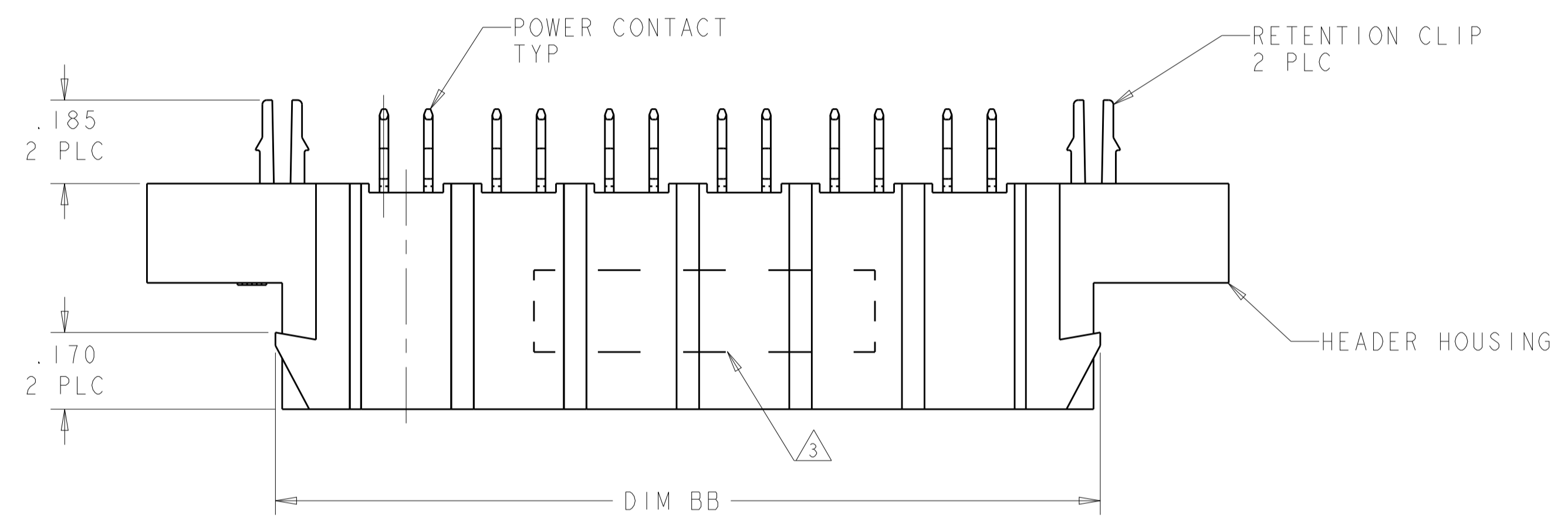
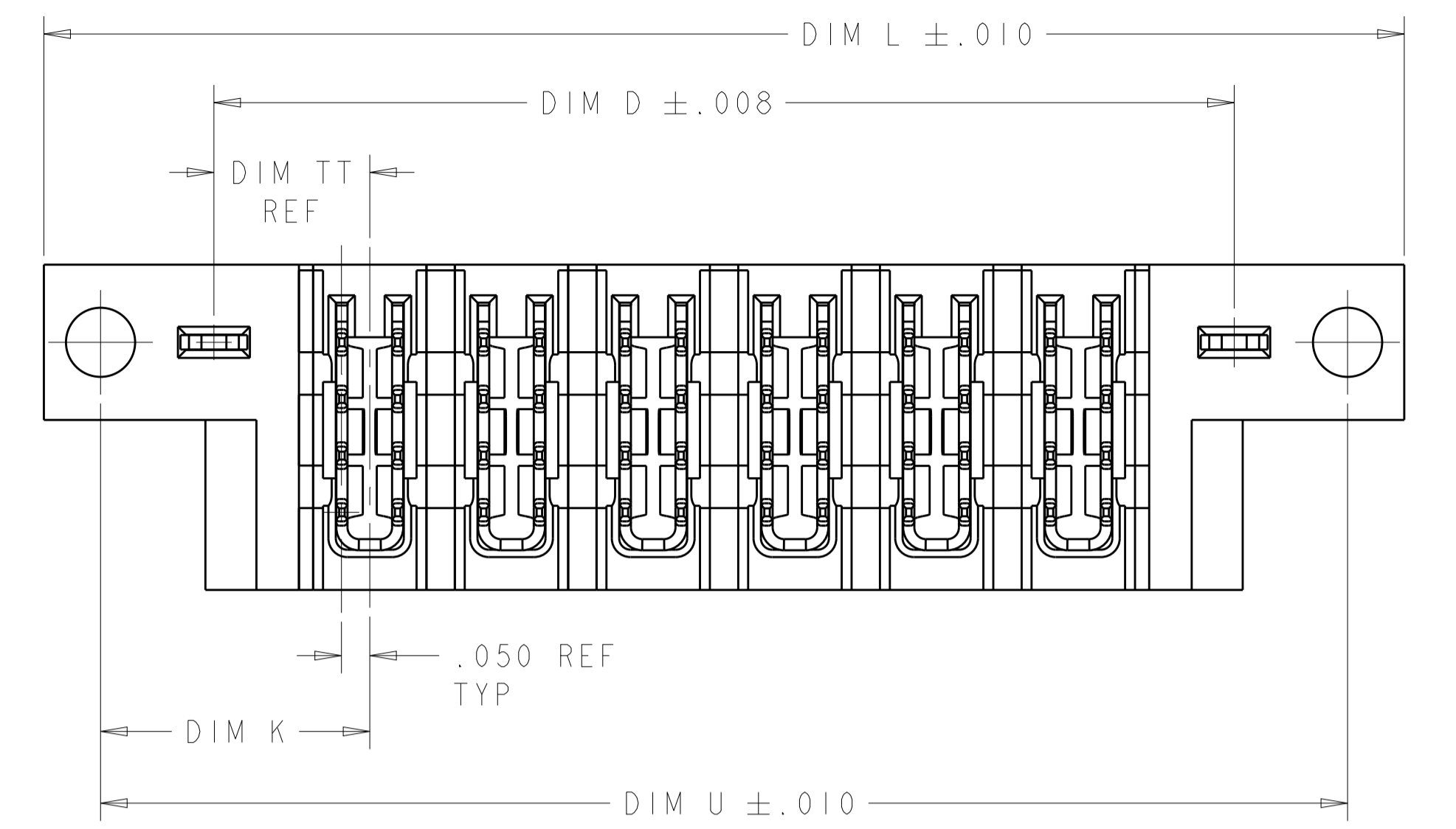


LOC	DIST	REVISIONS			
P	LTN	DESCRIPTION	DATE	DMN	APVD
ES	00				
A6		REV PER ECR-11-019151	08SEP2011	AY	SZ
A7		REV PER ECR-13-012441	30AUG2013	CZ	SZ
A8		REV PER ECR-14-002489	25FEB2014	OL	SZ
A9		ADDED NEW DASH NUMBER 1-2	30MAR2014	CZ	SZ



- ⚠️ HEADER HOUSING: THERMO PLASTIC, BLACK, UL94 V-0; CONTACTS AND RETENTION CLIPS: COPPER ALLOY.
- ⚠️ CONTACT PLATING: NOBLE METAL PLATING ON CONTACT FUNCTIONAL AREA OF POWER AND SIGNAL CONTACTS
RETENTION CLIP: .000115 MIN TIN.
- ⚠️ "AMP", PART NUMBER AND DATE CODE MARKED IN THIS AREA. PARTS UNDER 2.50 LONG MAY BE MARKED ON BOTH SIDES.
- ⚠️ DATUM AND BASIC DIMENSIONS ESTABLISHED BY CUSTOMER.
- ⚠️ PCB - ALL HOLE DIAMETERS ARE FINISHED HOLE SIZES.
- 6. A SEATING TOOL IS REQUIRED TO SEAT THE HEADER ON THE P.C. BOARD. PLEASE REFER TO THE 114-13038 APPLICATION SPEC.
- ⚠️ CUSTOMER SUPPLIES (2) #4-UNC SCREWS, HARDWARE TO BE USED TO MOUNT HEADER ASSEMBLY TO PC BOARD.
- ⚠️ MECHANICAL CONNECTOR KEEP OUT ZONE.
- ⚠️ DETAIL DIM SEE PART VIEW

THIS DRAWING IS A CONTROLLED DOCUMENT.		DMN D. RINGLER 25MAR06	STE TE Connectivity											
DIMENSIONS: INCHES		CHK M. PERCHERKE 25MAR06												
TOLERANCES UNLESS OTHERWISE SPECIFIED:		APVD M. PERCHERKE 25MAR06	NAME VERICAL HEADER ASSEMBLY, W/LATCH RECEIVERS, PRESS FIT, TYPE P, MULTI-BEAM XL											
<table border="1"> <tr> <td>0 PLC</td><td>±</td></tr> <tr> <td>1 PLC</td><td>±</td></tr> <tr> <td>2 PLC</td><td>±</td></tr> <tr> <td>3 PLC</td><td>±.005</td></tr> <tr> <td>4 PLC</td><td>±</td></tr> <tr> <td>ANGLES</td><td>±</td></tr> </table>		0 PLC		±	1 PLC	±	2 PLC	±	3 PLC	±.005	4 PLC	±	ANGLES	±
0 PLC	±													
1 PLC	±													
2 PLC	±													
3 PLC	±.005													
4 PLC	±													
ANGLES	±													
MATERIAL		APPLICATION SPEC 114-13038	RESTRICTED TO											
FINISH		WEIGHT	SIZE CAGE CODE DRAWING NO A100779C=6600393											
CUSTOMER DRAWING		SCALE 2:1	SHEET 1 OF 5 REV A9											

THIS DRAWING IS UNPUBLISHED. RELEASED FOR PUBLICATION 20
 © COPYRIGHT 20 BY - ALL RIGHTS RESERVED.

LOC	DIST	REVISIONS					
ES	00	P	LTN	DESCRIPTION	DATE	DWN	APVD
		-		SEE SHEET 1		-	-

PKG INFO.	DIM "EE"	DIM "DD"	DIM "CC"	DIM "BB"	DIM "TT"	DIM "U"	DIM "S"	DIM "L"	DIM "K"	DIM "D"	RETENTION CLIP	DESCRIPTION	PART NUMBER
TRAY	1.220	.575	.235	1.330	.275	1.700	.250	1.900	.475	1.300	YES	4P	1-6600393-2
/	1.520	.575	.235	1.630	.275	2.000	.350	2.200	.475	1.600	YES	4P	1-6600393-0
TRAY	1.220	Δ	.235	Δ	-	-	.250	Δ	-	-	NO	4P	6600393-9
TRAY	1.470	.575	.235	1.580	.275	1.950	.200	2.150	.475	1.550	YES	6HDP	6600393-8
TRAY	2.070	.625	.285	2.180	.325	2.550	.300	2.750	.525	2.150	YES	6ACP	6600393-7
TAPE&REEL	.870	.625	.285	.980	.325	1.350	.300	1.550	.525	.950	YES	2ACP	6600393-5
TRAY	1.720	.575	.235	1.830	.275	2.200	.250	2.400	.475	1.800	YES	6P	6600393-3
TRAY	.970	.575	.235	1.080	.275	1.450	.250	1.650	.475	1.050	YES	3P	6600393-2
TRAY	.870	.625	.285	.980	.325	1.350	.300	1.550	.525	.950	YES	2ACP	6600393-1

THIS DRAWING IS A CONTROLLED DOCUMENT.

DWN: D. RINGLER 25MAR06
 CHK: M. PERCHERKE 25MAR06
 APVD: M. PERCHERKE 25MAR06

DIMENSIONS: INCHES
 TOLERANCES UNLESS OTHERWISE SPECIFIED:
 0 PLC ±.
 1 PLC ±.
 2 PLC ±.
 3 PLC ±.005
 4 PLC ±.
 ANGLES ±.

MATERIAL: -
 FINISH: -

PRODUCT SPEC: 108-1973
 APPLICATION SPEC: 114-13038

WEIGHT: -

SIZE: A1
 CAGE CODE: 00779
 DRAWING NO: 6600393

RESTRICTED TO: -

CUSTOMER DRAWING

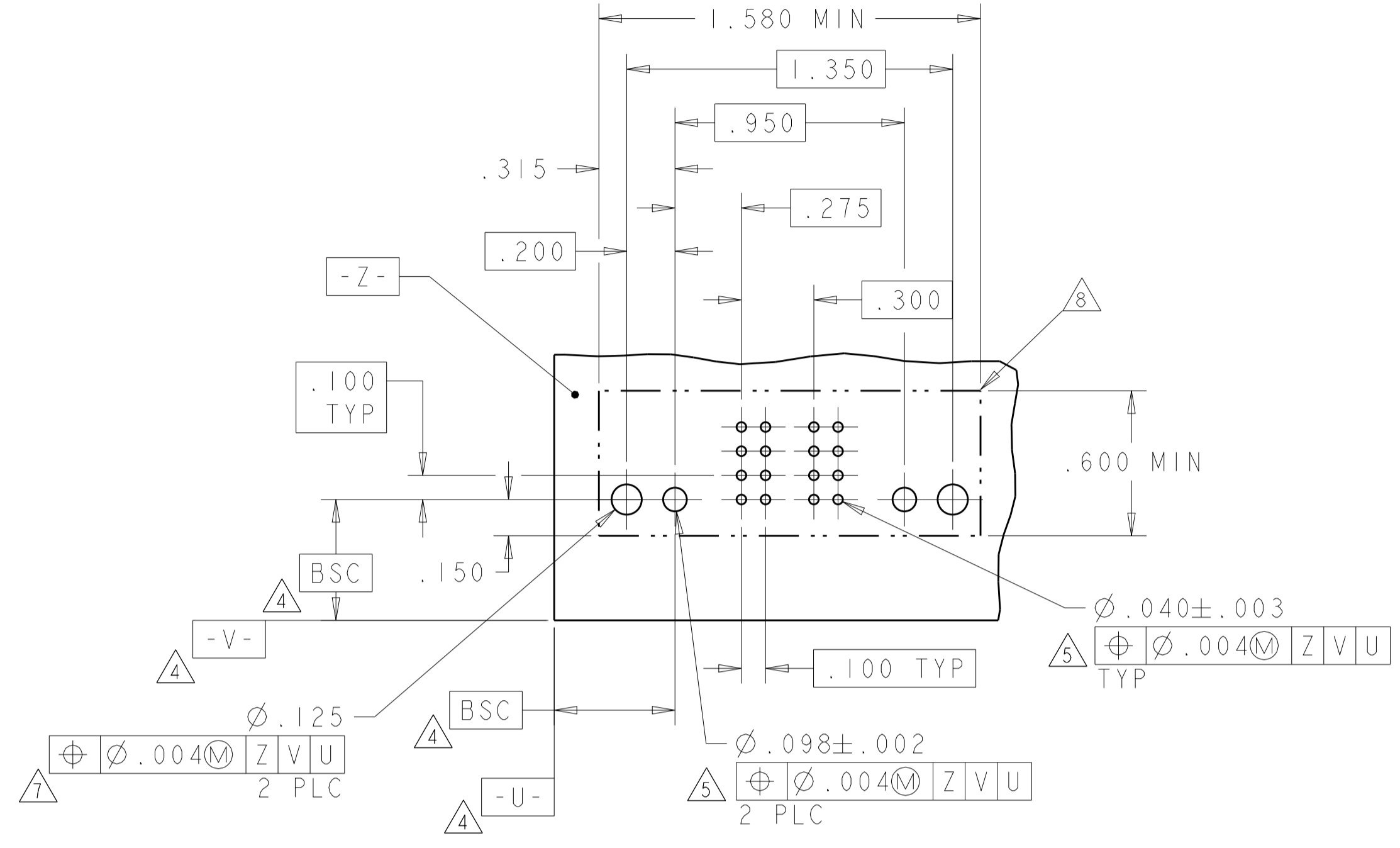
SCALE: 2:1 SHEET 2 OF 5 REV A9

TE TE Connectivity

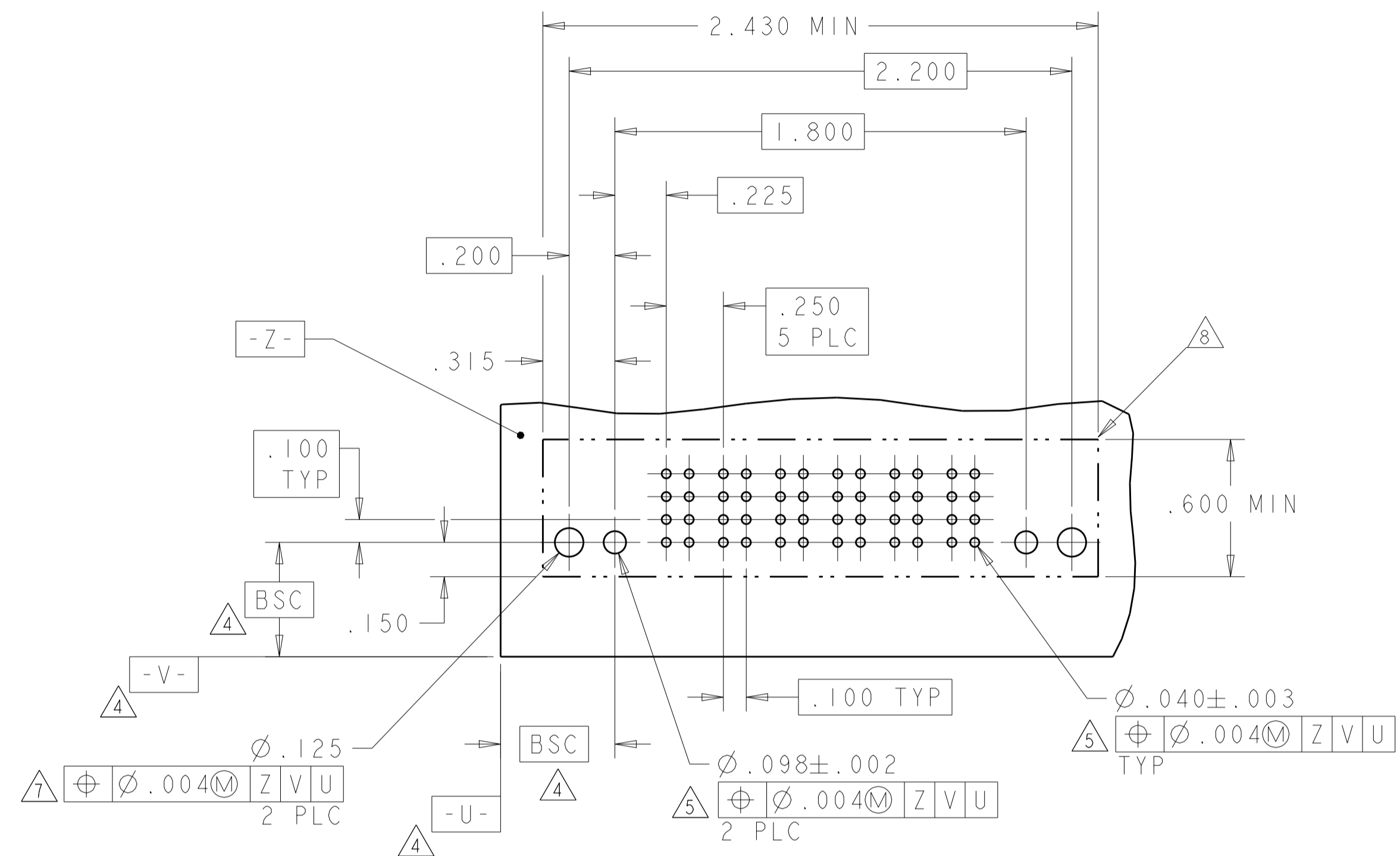
VERICAL HEADER ASSEMBLY, W/LATCH RECEIVERS, PRESS FIT, TYPE P, MULTI-BEAM XL

PART NUMBER	ROWS	POWER		PART NUMBER	ROWS	POWER	
		P1	P2			P1	P2
6600393-1	D	VM	VM	6600393-5	D	VM	VM
	C						
	B						
2ACP	A	HD	HD	2ACP	A	HD	HD

PART NUMBER	ROWS	POWER					
		P1	P2	P3	P4	P5	P6
6600393-3	D	VM	VM	VM	VM	VM	VM
	C						
	B						
	A						
6P	HD	HD	HD	HD	HD	HD	HD



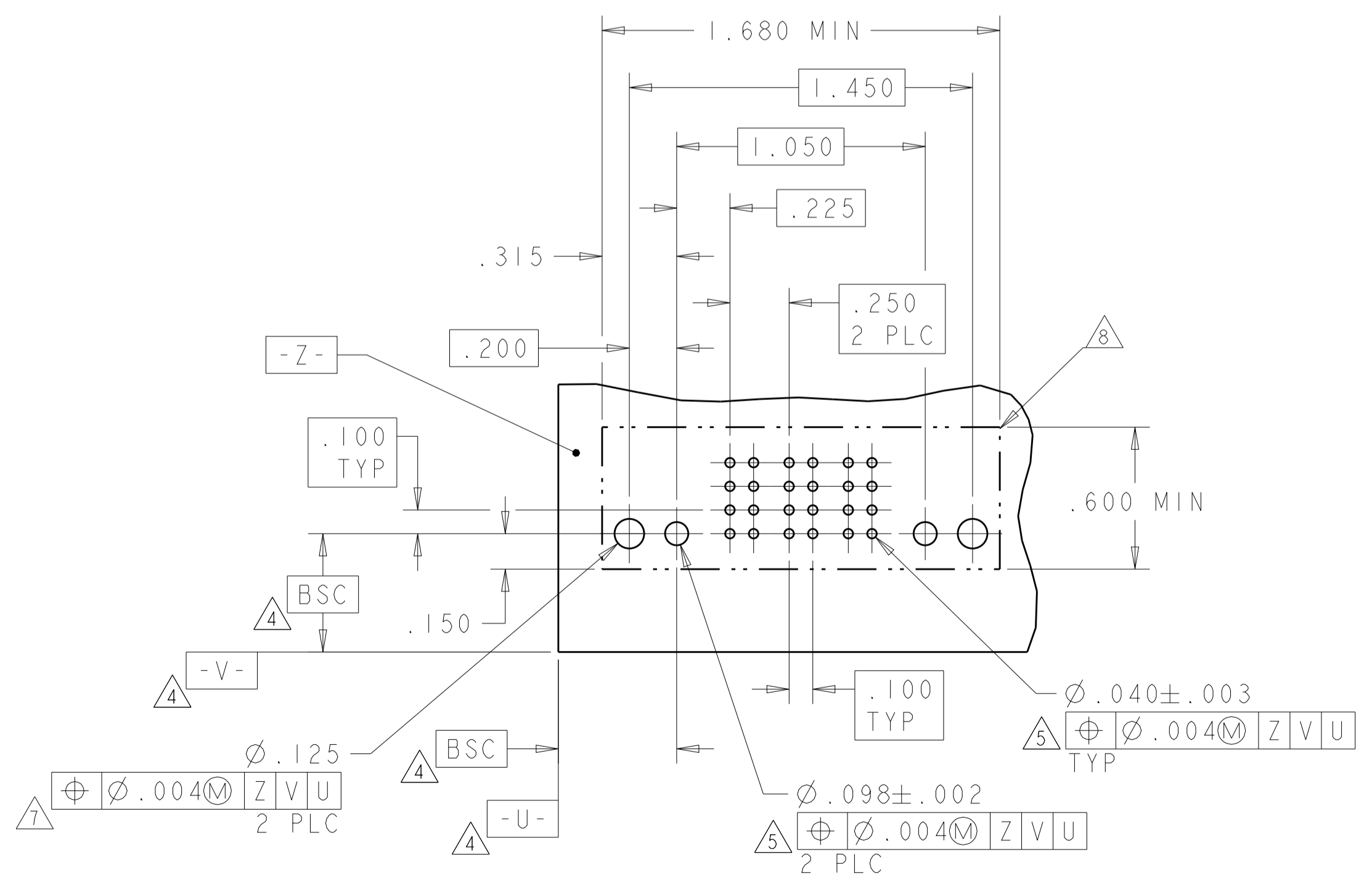
RECOMMENDED PCB LAYOUT 6600393-1/-5
 SCALE 2:1



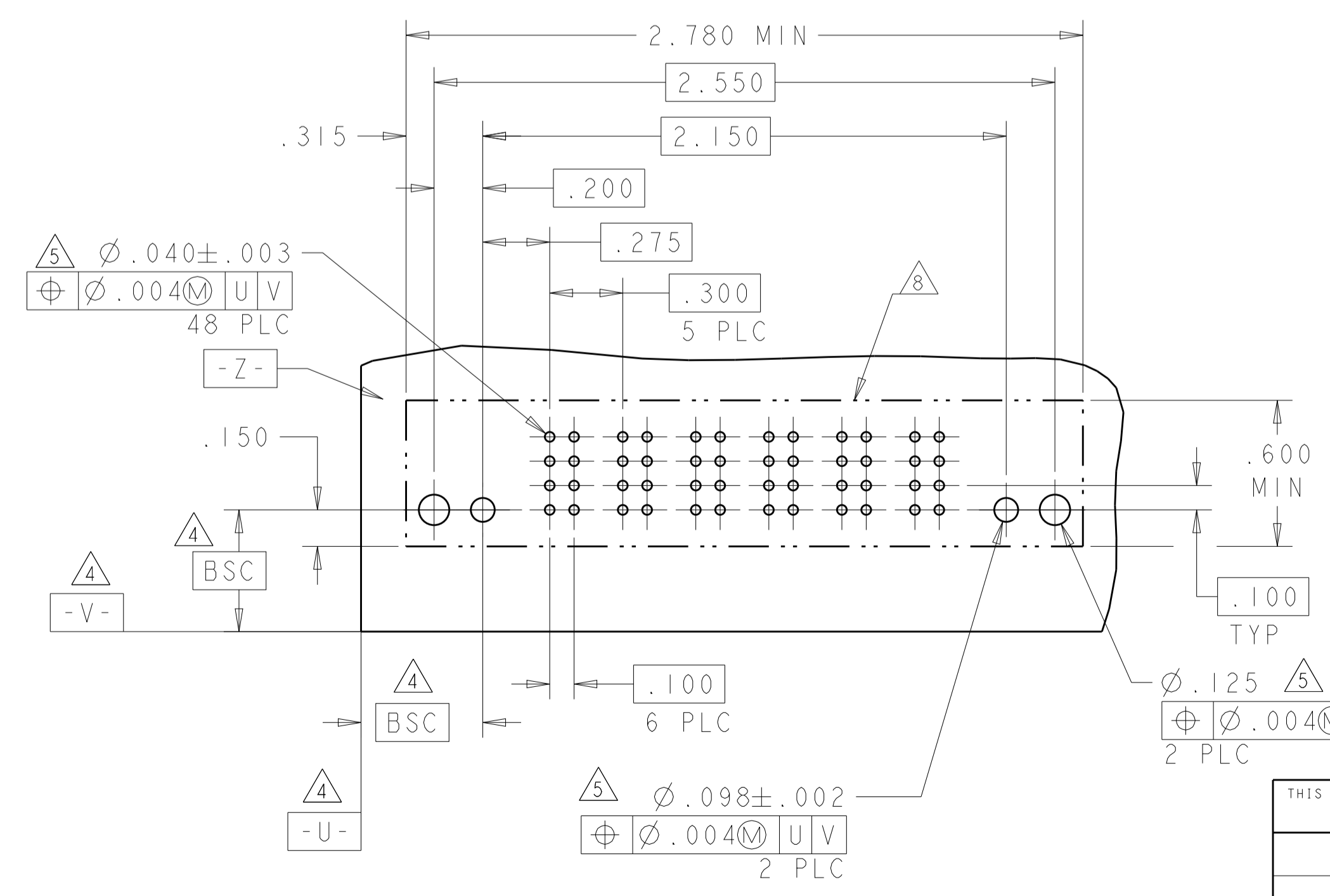
RECOMMENDED PCB LAYOUT 6600393-3
 SCALE 2:1

PART NUMBER	ROWS	POWER		
		P1	P2	P3
6600393-2	D	VM	VM	VM
	C			
	B			
3P	A	HD	HD	HD

PART NUMBER	ROWS	POWER					
		P1	P2	P3	P4	P5	P6
6600393-7	D	VM	VM	VM	VM	VM	VM
	C						
	B						
	A						
6ACP	HD	HD	HD	HD	HD	HD	HD



RECOMMENDED PCB LAYOUT 6600393-2
 SCALE 2:1



RECOMMENDED PCB LAYOUT 6600393-7

MATING SEQUENCE	DESCRIPTION	IDENTIFIER
-	RETENTION CLIP	HD
-	POWER CONTACT	VM

THIS DRAWING IS A CONTROLLED DOCUMENT.

DIMENSIONS: INCHES	TOLERANCES UNLESS OTHERWISE SPECIFIED:	DWN D. RINGLER 25MAR06	CHK M. PERCHERKE 25MAR06	APVD M. PERCHERKE 25MAR06
0 PLC ±	1 PLC ±	2 PLC ±	3 PLC ±	4 PLC ±
5 PLC ±	6 PLC ±	7 PLC ±	8 PLC ±	9 PLC ±
ANGLES	FINISH	PRODUCT SPEC 108-1973	APPLICATION SPEC 114-13038	WEIGHT
MATERIAL		SIZE A1	CAGE CODE 100779	DRAWING NO. 6600393
		CUSTOMER DRAWING		RESTRICTED TO

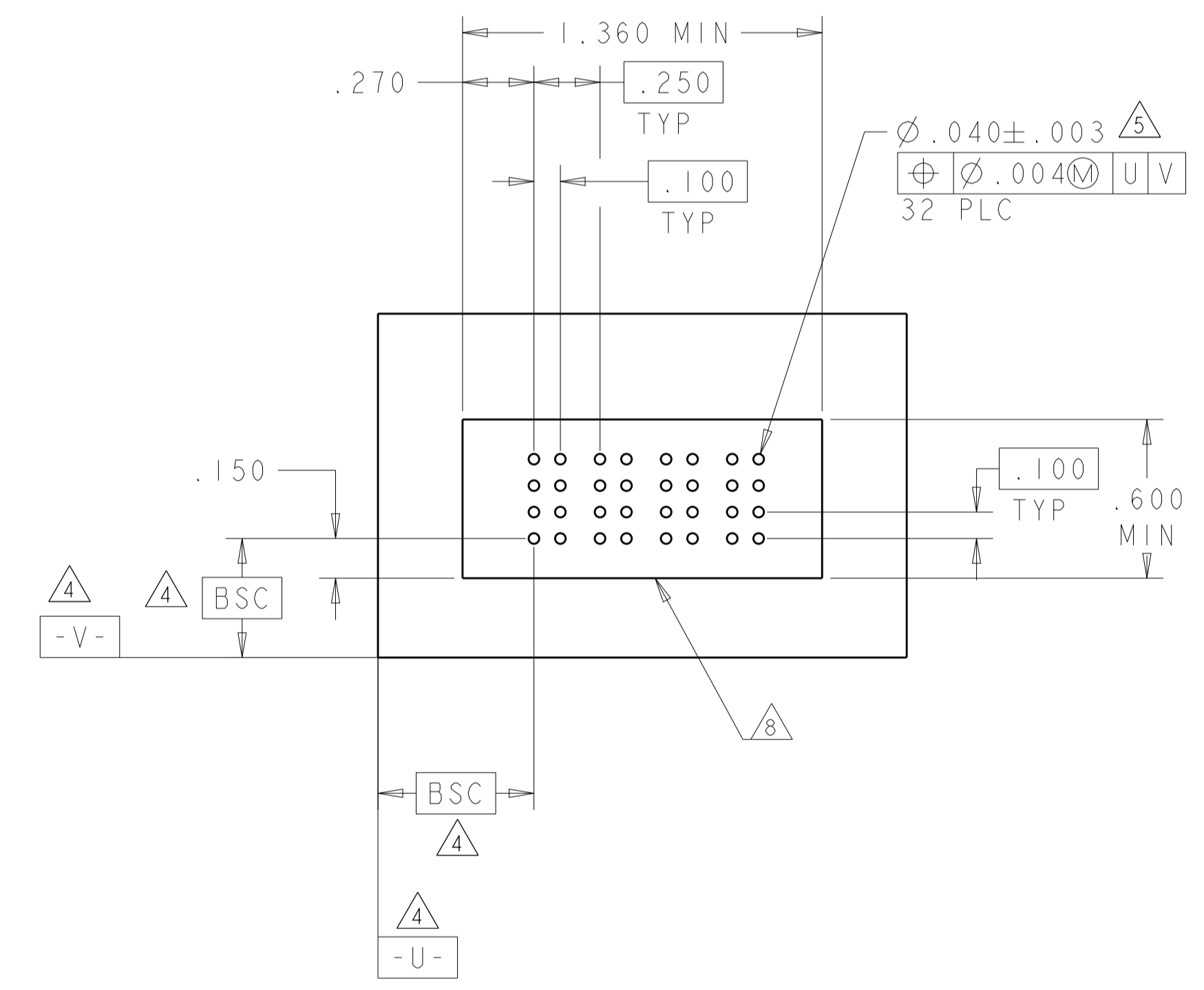
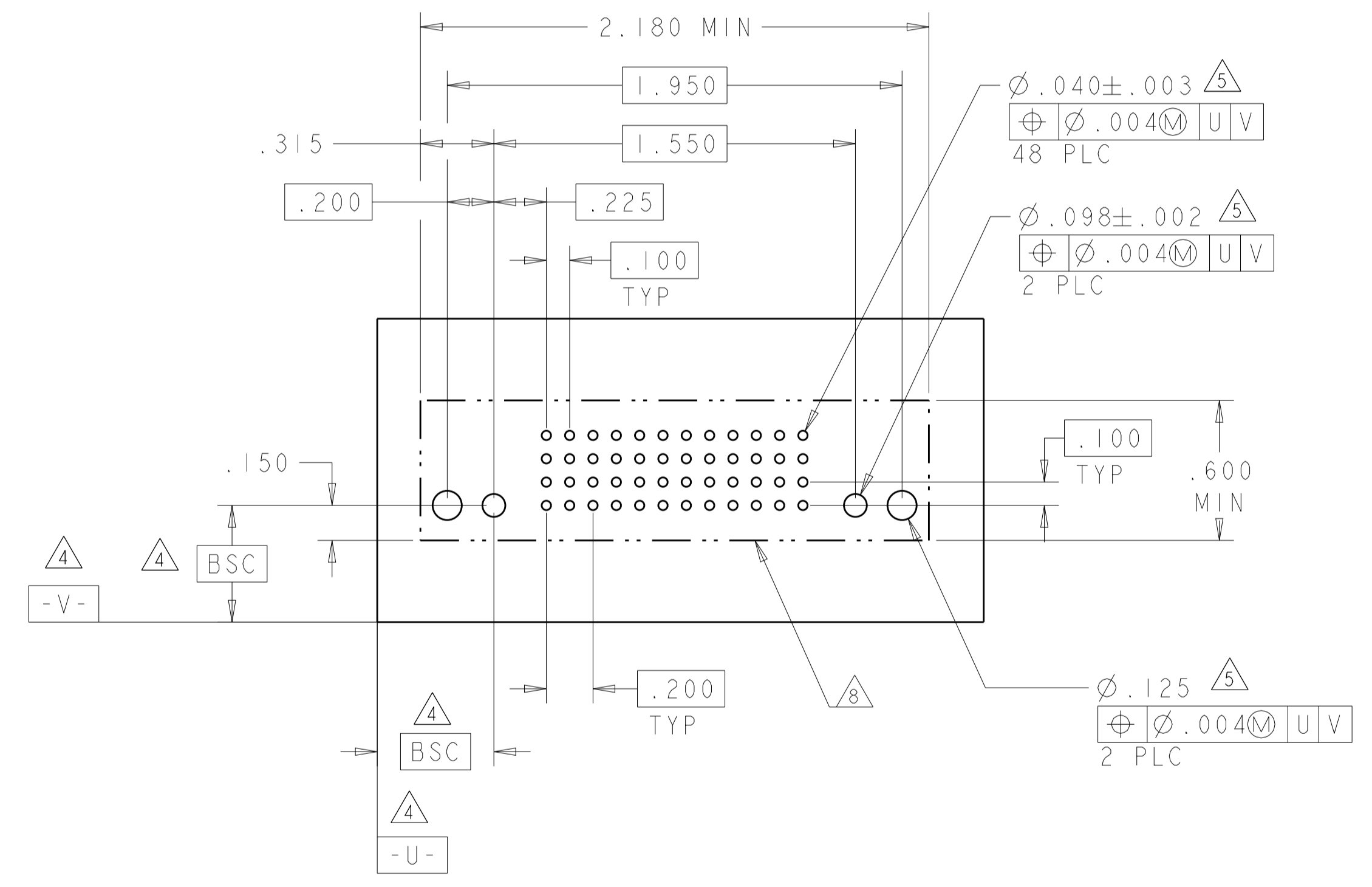
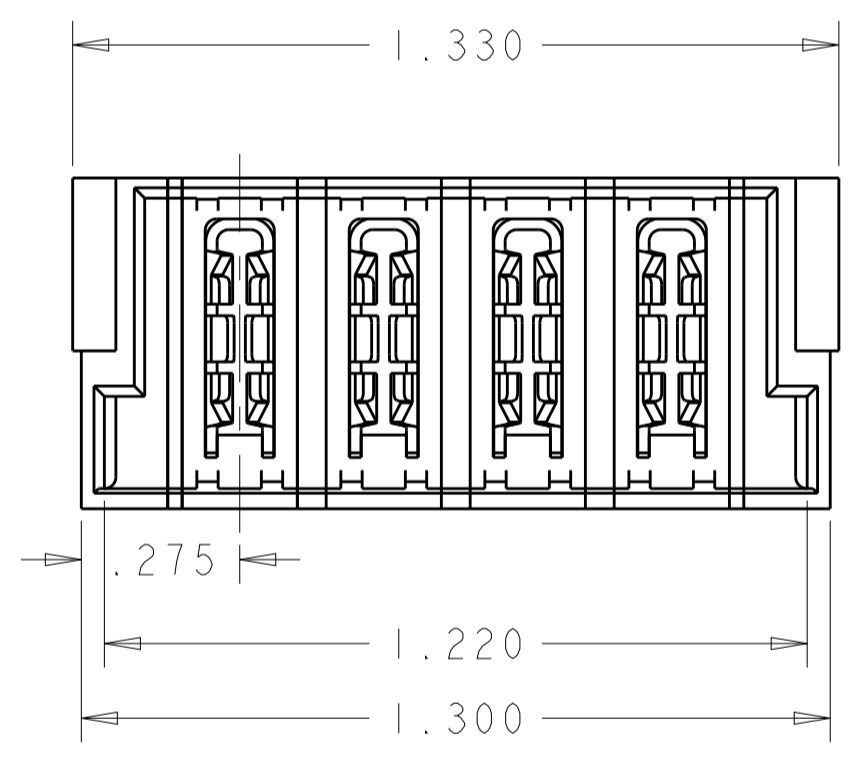
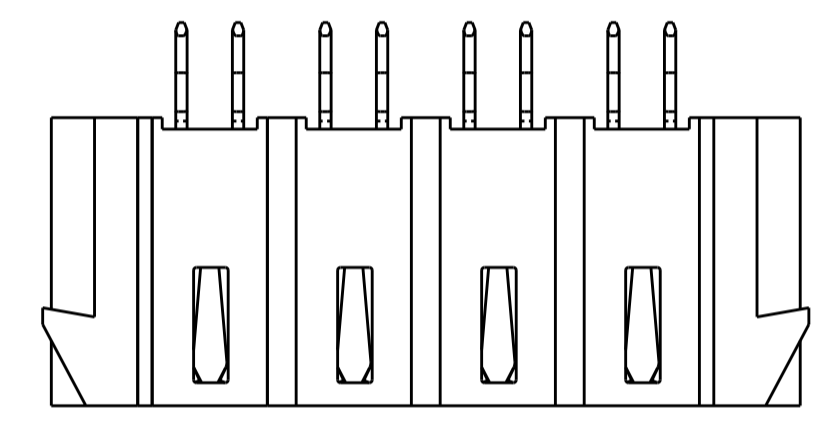
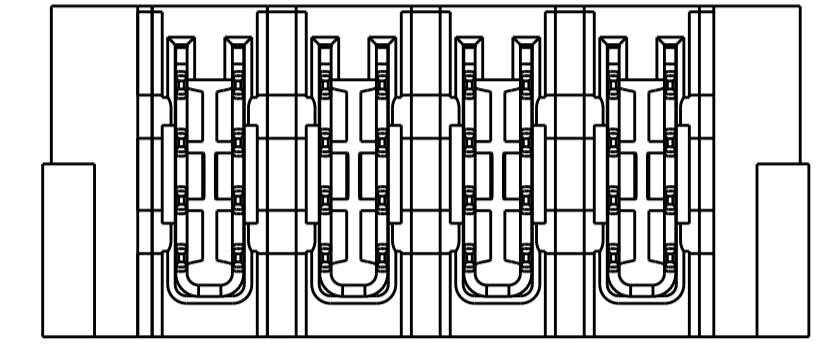
NAME: VERICAL HEADER ASSEMBLY, W/LATCH RECEIVERS, PRESS FIT, TYPE P, MULTI-BEAM XL

SCALE 2:1 SHEET 3 OF 5 REV A9

LOC	DIST	REVISIONS					
		P	LTN	DESCRIPTION	DATE	DMN	APVD
ES	00	-	-	SEE SHEET 1	-	-	-

PART NUMBER	ROWS	POWER					
		P1	P2	P3	P4	P5	P6
6600393-8	D						
	C	VM	VM	VM	VM	VM	VM
	B						
	A						
6HDP		HD					HD

PART NUMBER	ROWS	POWER			
		P1	P2	P3	P4
6600393-9	D				
	C	VM	VM	VM	VM
	B				
	A				
4P					

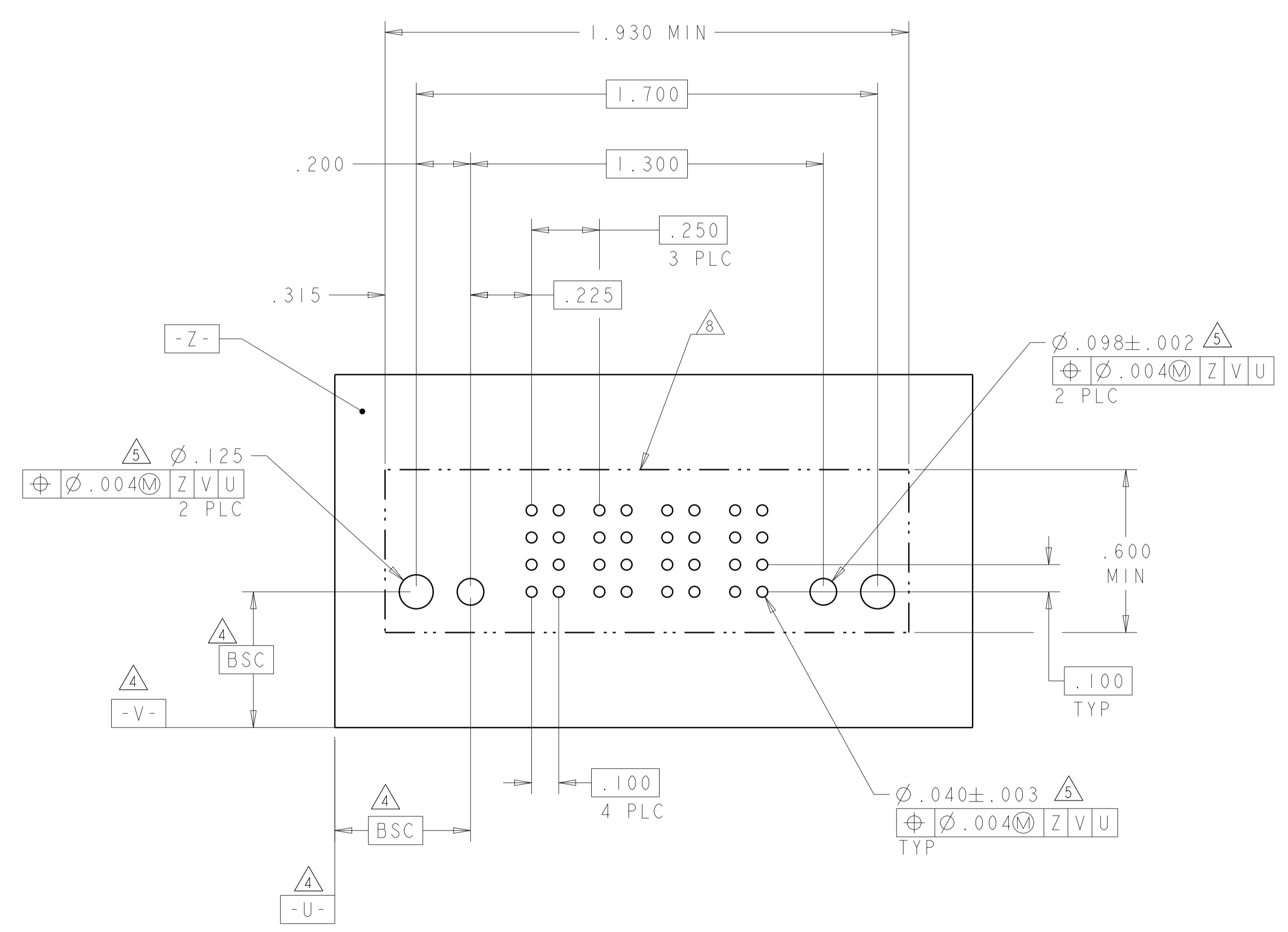
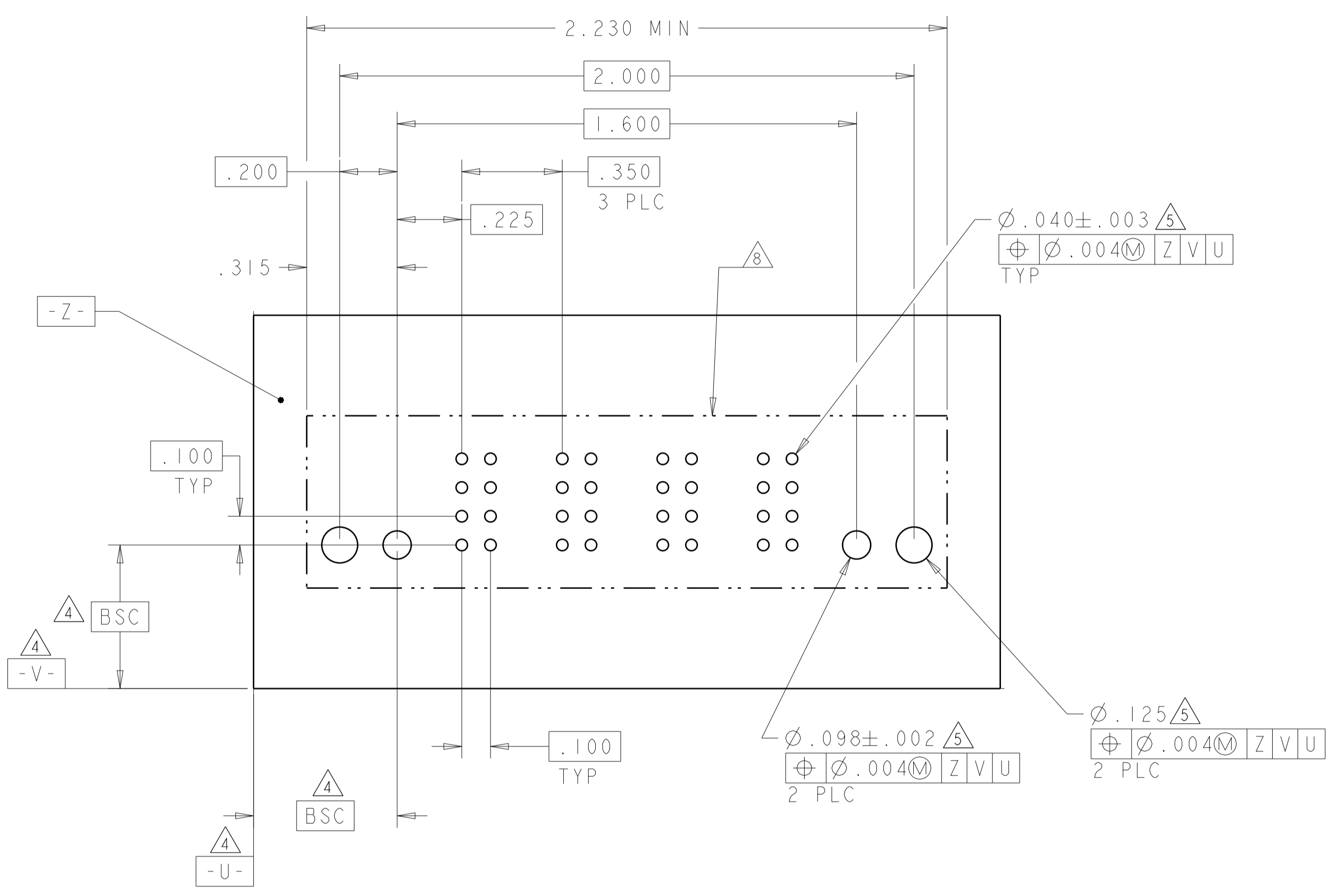


THIS DRAWING IS A CONTROLLED DOCUMENT.		DMN D. RINGLER 25MAR06	TE Connectivity														
DIMENSIONS: INCHES		CHK M. PERCHERKE 25MAR06															
TOLERANCES UNLESS OTHERWISE SPECIFIED:		APVD M. PERCHERKE 25MAR06	NAME VERICAL HEADER ASSEMBLY, W/LATCH RECEIVERS, PRESS FIT, TYPE P, MULTI-BEAM XL														
<table border="1"> <tr><td>0 PLC</td><td>±</td></tr> <tr><td>1 PLC</td><td>±</td></tr> <tr><td>2 PLC</td><td>±</td></tr> <tr><td>3 PLC</td><td>±.005</td></tr> <tr><td>4 PLC</td><td>±</td></tr> <tr><td>ANGLES</td><td>±</td></tr> <tr><td>FINISH</td><td>±</td></tr> </table>		0 PLC	±	1 PLC	±	2 PLC	±	3 PLC	±.005	4 PLC	±	ANGLES	±	FINISH	±	PRODUCT SPEC 108-1973	SIZE 114-13038
0 PLC	±																
1 PLC	±																
2 PLC	±																
3 PLC	±.005																
4 PLC	±																
ANGLES	±																
FINISH	±																
MATERIAL		APPLICATION SPEC	RESTRICTED TO														
		WEIGHT	A100779C=6600393														
		CUSTOMER DRAWING	SCALE 2:1 SHEET 4 OF 5 REV A9														

LOC	DIST	REVISIONS			
P	LTN	DESCRIPTION	DATE	DMN	APVD
ES	00	SEE SHEET 1	-	-	-

PART NUMBER	ROWS	POWER			
		P1	P2	P3	P4
1-6600393-0	D				
	C				
	B	VM	VM	VM	VM
	A				
4P		HD			HD

PART NUMBER	ROWS	POWER			
		P1	P2	P3	P4
1-6600393-2	D				
	C				
	B	VM	VM	VM	VM
	A				
4P		HD			HD



THIS DRAWING IS A CONTROLLED DOCUMENT.

DIMENSIONS: INCHES	TOLERANCES UNLESS OTHERWISE SPECIFIED:	0 PLC ±	1 PLC ±	2 PLC ±	3 PLC ±	4 PLC ±	ANGLES ±	FINISH
		±	±	±	±	±	±	

OWN: D. RINGLER 25MAR06	CHK: M. PERCHERKE 25MAR06	APVD: M. PERCHERKE 25MAR06
PRODUCT SPEC: 108-1973	APPLICATION SPEC: 114-13038	WEIGHT: -
SIZE: A1	CAGE CODE: 00779	DRAWING NO: 6600393
CUSTOMER DRAWING		SCALE: 2:1

STE TE Connectivity

NAME: VERTICAL HEADER ASSEMBLY, W/LATCH RECEIVERS, PRESS FIT, TYPE P, MULTI-BEAM XL

RESTRICTED TO: -

SHEET 5 OF 5 REV A9