

THIS DRAWING IS UNPUBLISHED.

RELEASED FOR PUBLICATION

ALL RIGHTS RESERVED.

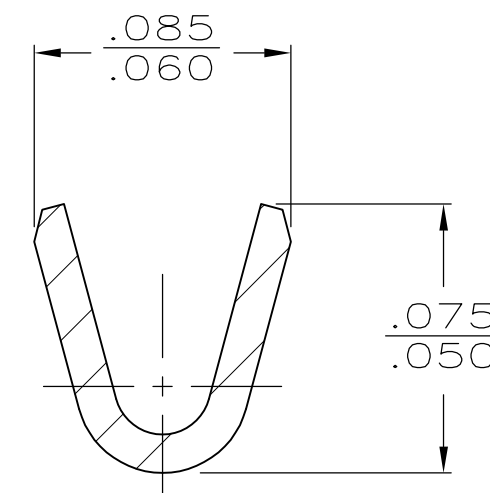
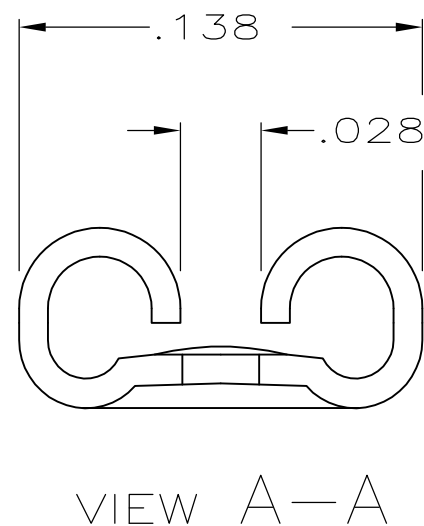
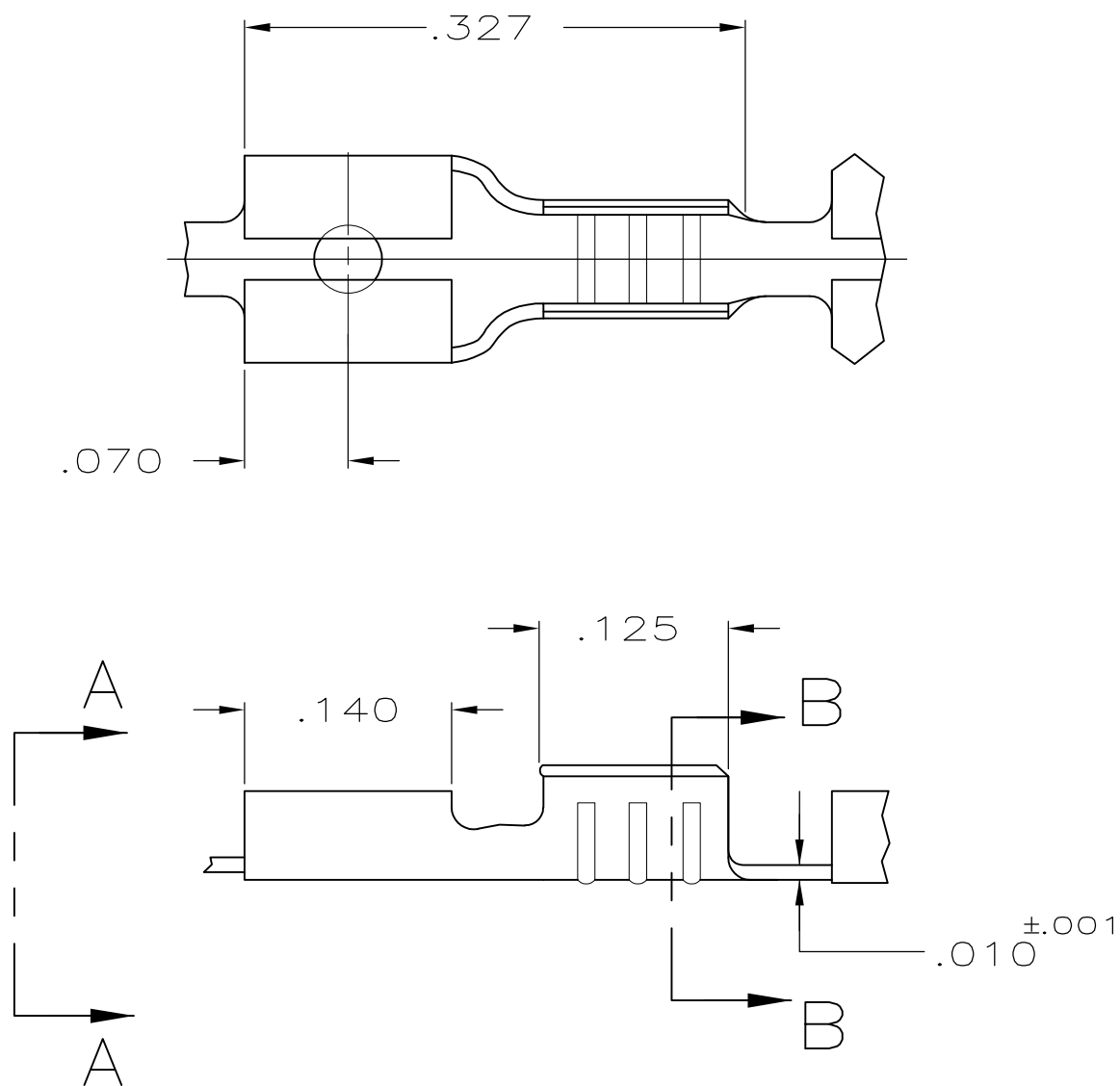
© COPYRIGHT - By -

LOC AF DIST 50


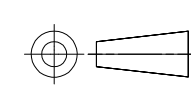
REVISIONS

P	LTR	DESCRIPTION	DATE	DWN	APVD
D		REVISED PER ECR-12-013459	28NOV2012	KH	PD

- 1 CONTINUOUS STRIP ON REELS.
- 2 WIRE SIZES #26-#22 AWG.
- 3 MATES WITH .016±.001 THK TAB.
- 4 SPECIAL REEL QUANTITY
- 5 PRELIMINARY - NOT FOR PRODUCTION



4	-	5	61818-3
	.000050 MIN NICKEL		61818-2
	-		61818-1
	FINISH		PART NO.

THIS DRAWING IS A CONTROLLED DOCUMENT.		DWN	JR RUTH	6/3/96	 TE Connectivity					
DIMENSIONS: INCHES		CHK	MS FEHER	6/3/96				NAME		
TOLERANCES UNLESS OTHERWISE SPECIFIED:		APVD	P DESANTIS	6/3/96						
		PRODUCT SPEC		-						
MATERIAL: BRASS		FINISH: SEE TABLE		APPLICATION SPEC		-				
		WEIGHT		-		SIZE	CAGE CODE	DRAWING NO	RESTRICTED TO	
		CUSTOMER DRAWING		-		A3	00779	C-61818	-	
						SCALE	SHEET	REV		
						8:1	1 OF 1	D		