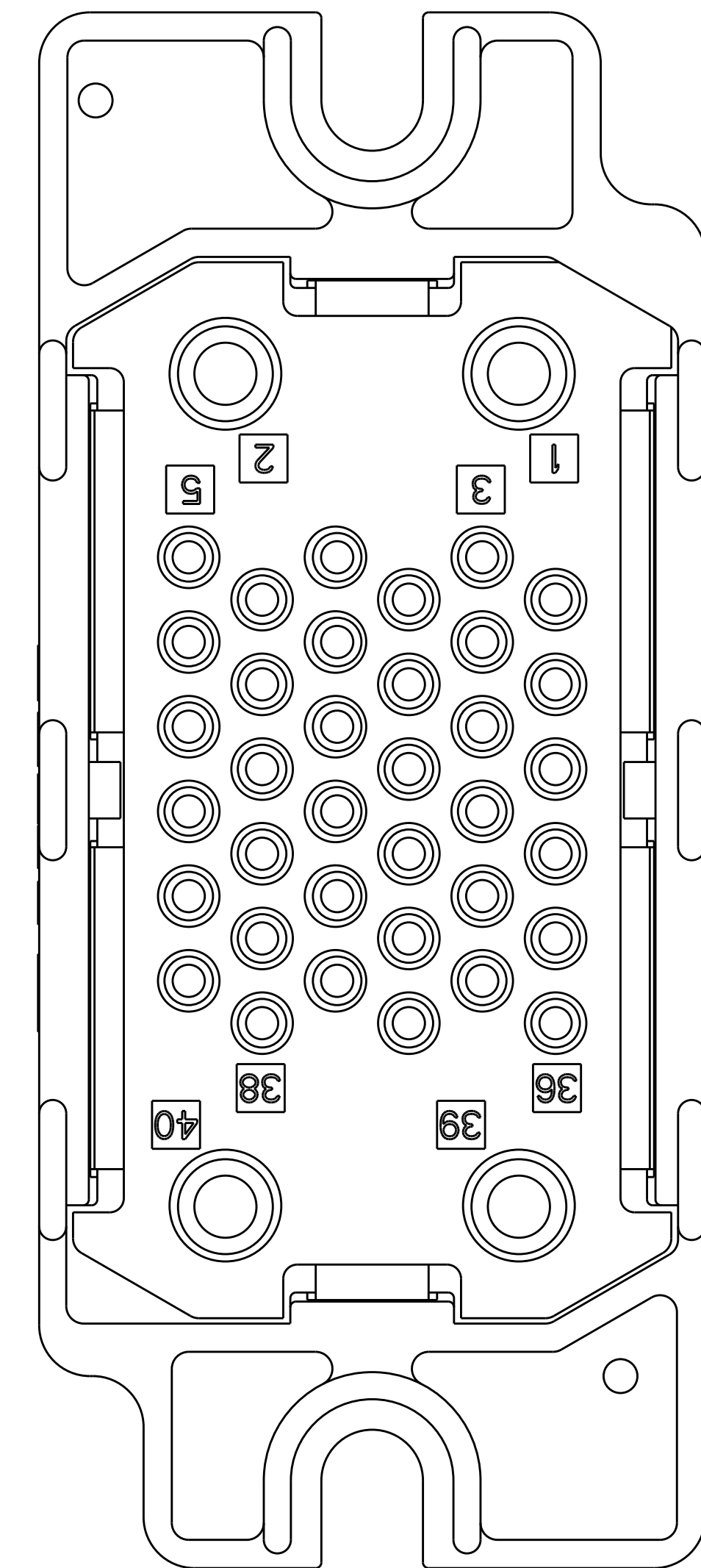
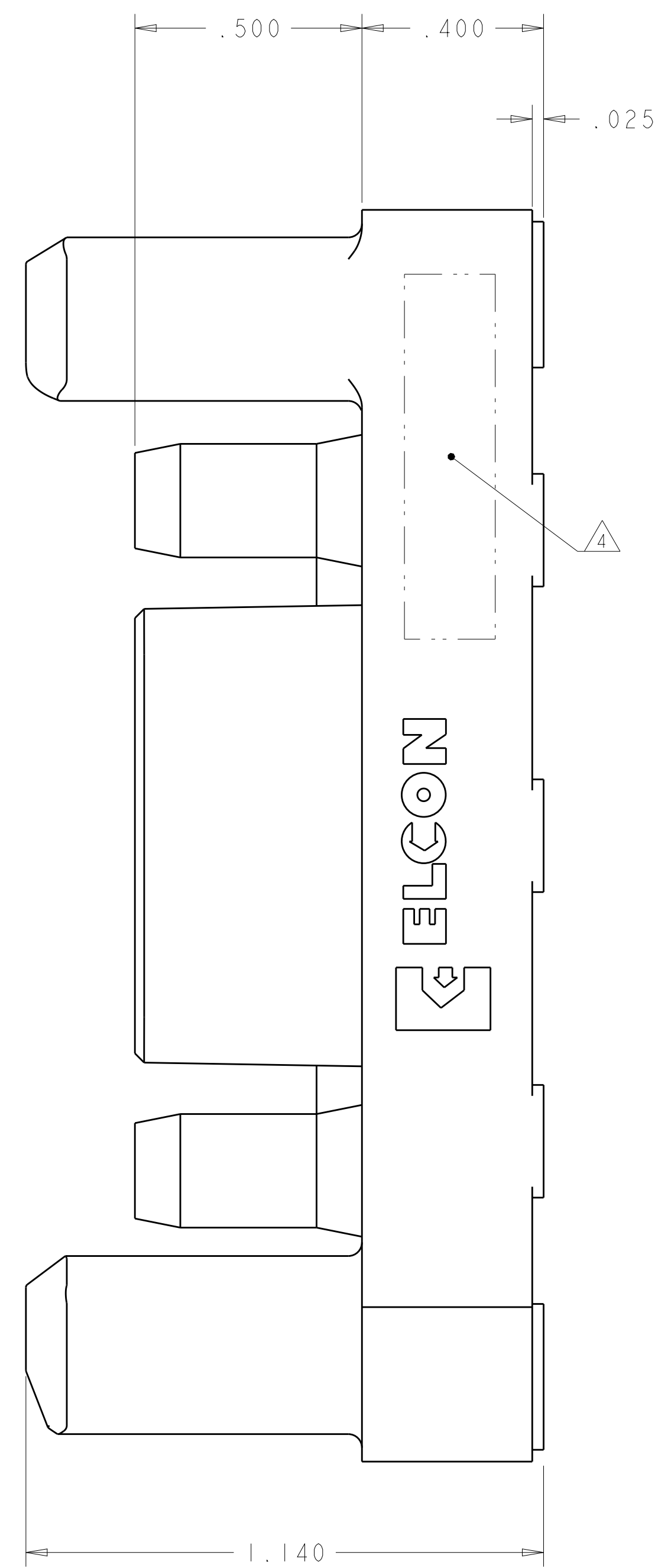
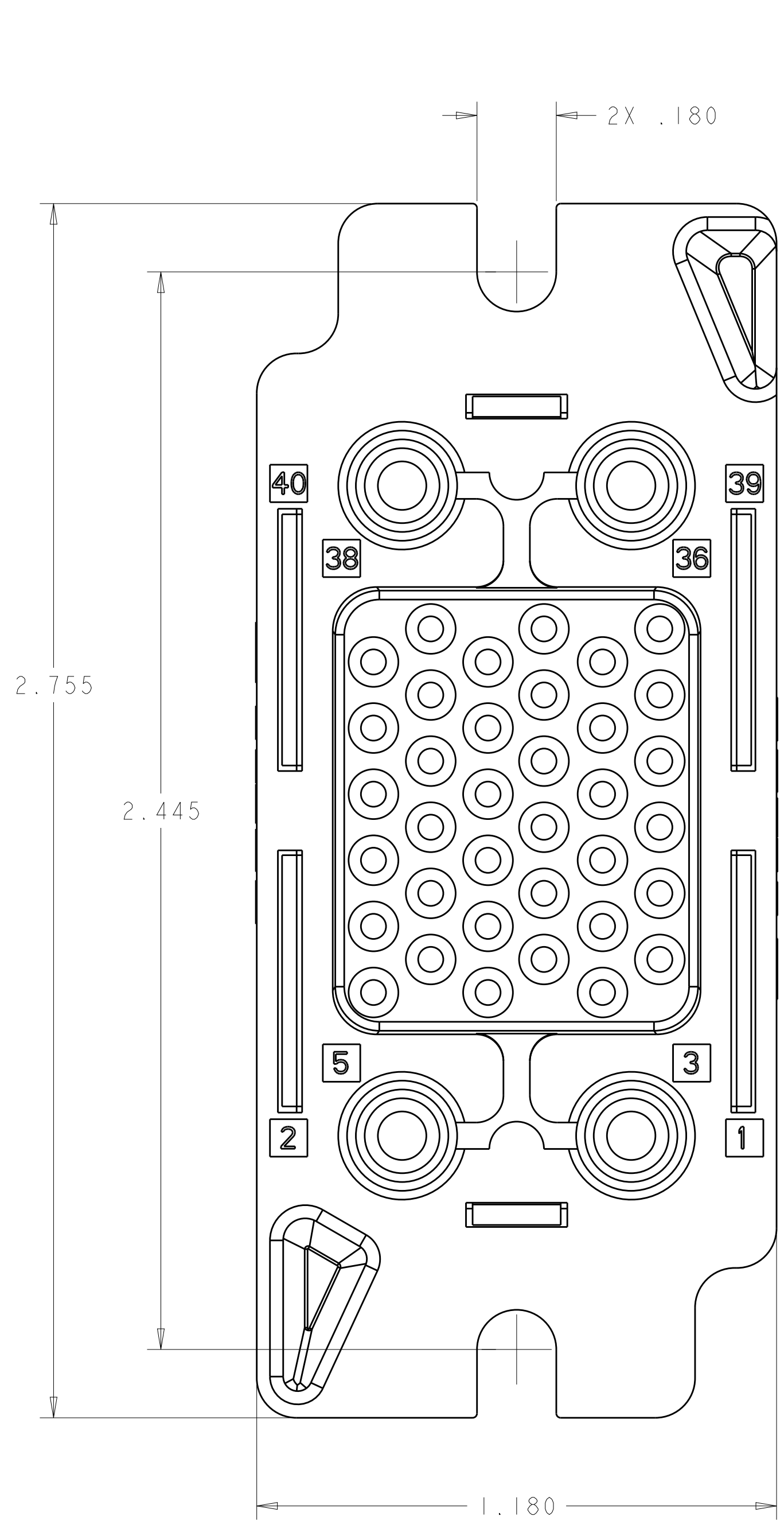


LOC		DIST		REVISIONS			
P	LTN	DESCRIPTION	DATE	DWN	APVD		
A		RELEASED	09JUL2013	DO	DO		



REAR VIEW

SOCKET CONTACT (C)
 SIZE #12

SOCKET CONTACT (B)
 SIZE #20

SOCKET CONTACT (C)
 SIZE #12

- PART NUMBER CHANGES AND OR DESIGN CHANGES AFFECTING THE INTERCHANGEABILITY REQUIRE PRIOR TYCO ELECTRONICS APPROVAL AND AUTHORIZATION BY REVISION TO THIS DRAWING.
- MATERIAL:
 INSULATOR: THERMOPLASTIC, GLASS REINFORCED, UL 94V-0 FLAMMABILITY RATED, COLOR: BLACK
 CONTACT: BRASS ROD ALLOY
 CROWN BAND: BERYLLIUM COPPER
 RETENTION CLIP: BERYLLIUM COPPER OR STAINLESS STEEL
- FINISH:
 CONTACTS SIZE #12 : SILVER .000200 MIN. THK. OVER NICKEL .000050 MIN THK.
 CONTACTS SIZE #20 : GOLD .000010 MIN. THK. OVER NICKEL .000050 MIN THK.
 CROWN BAND: GOLD .000030 MIN. THK. OVER NICKEL .000040 MIN THK.

△ ITEMS PROVIDED TO THIS SPECIFICATION TO BE PERMANENTLY IDENTIFIED PER THE FOLLOWING IDENTIFIER:

TYCO ELECTRONICS P/N: XXXXXX-X
 DATE CODE (e.g. 0216): YEAR 1 WEEK 1
 XXXX

QTY	PART NUMBER	DESCRIPTION	ITEM
4	6648374-1	CONTACT, SOCKET, SIZE #12, PCB TAIL	C
36	1648382-1	CONTACT, SOCKET, SIZE #20, PCB TAIL	B
1	1648133-2	HOUSING, SOCKET, UNMARKED/NO LABEL	A
-1	PART NUMBER	DESCRIPTION	ITEM

THIS DRAWING IS A CONTROLLED DOCUMENT. DWN: D. ORRIS 16OCT2012
 CHK: D. ORRIS 16OCT2012
 APVD: D. ORRIS 16OCT2012

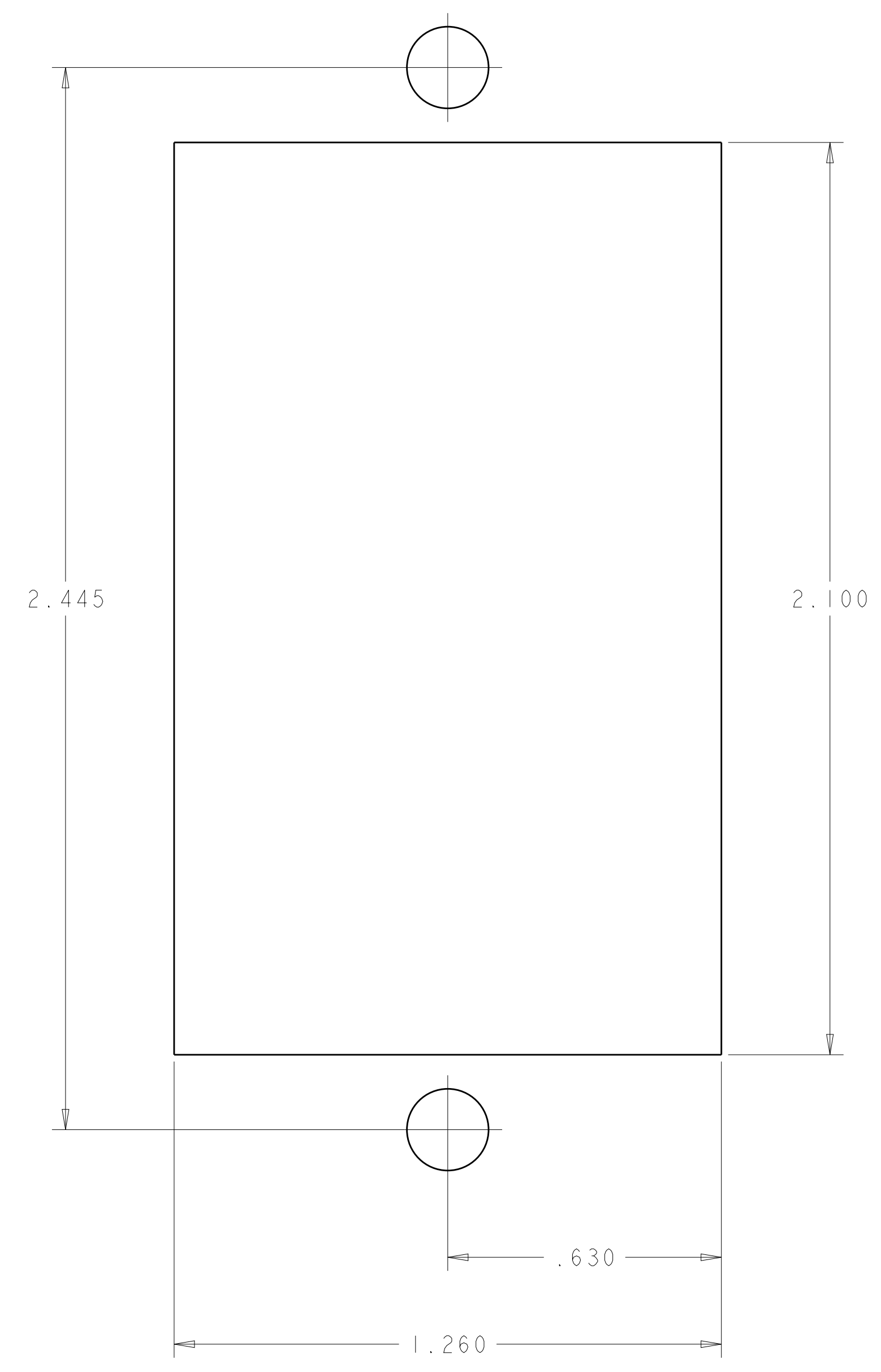
STE TE Connectivity

NAME: SOCKET CONNECTOR ASSEMBLY
 PRODUCT SPEC: CRIMP
 APPLICATION SPEC: SQUARE DRAWER

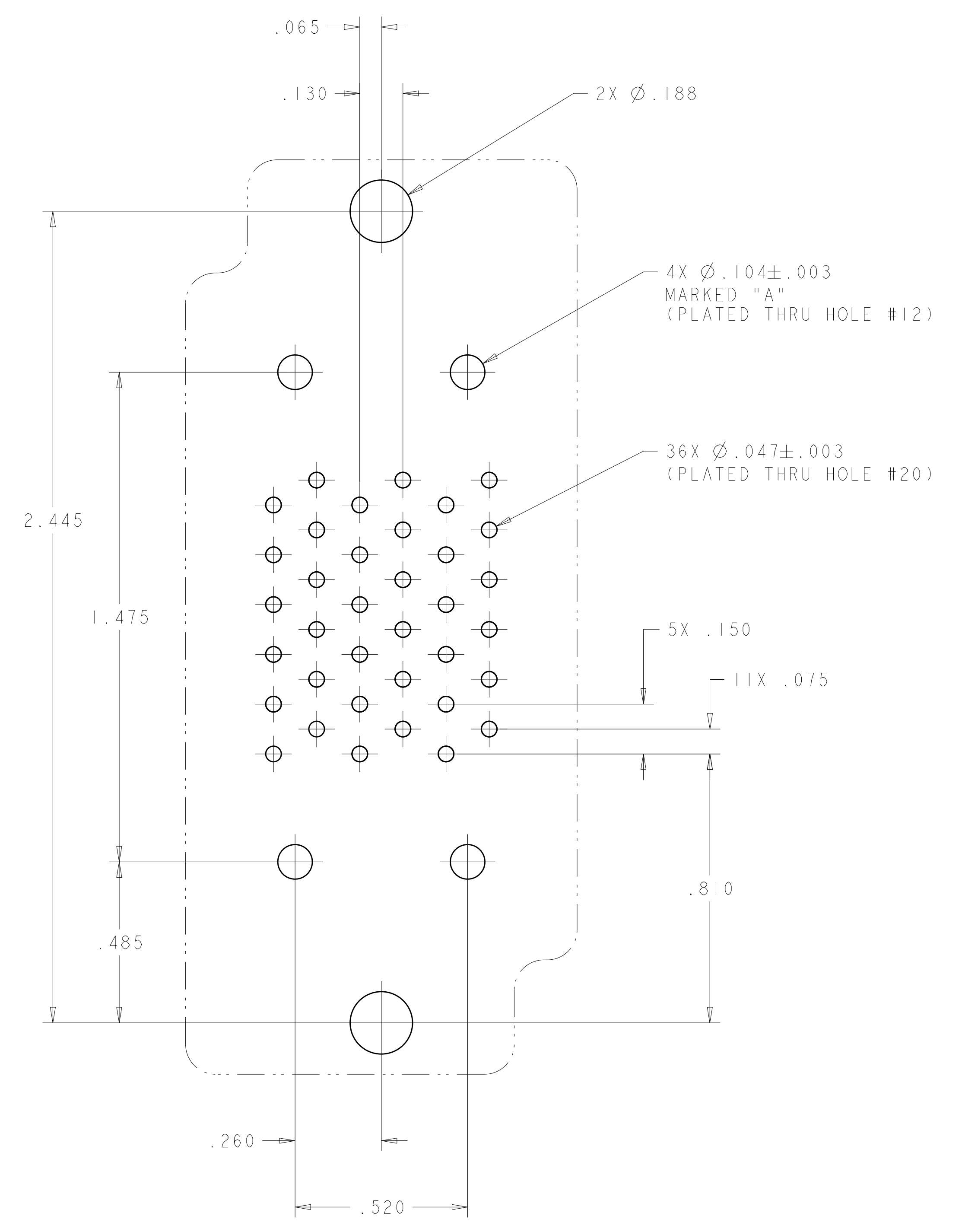
SIZE: A1 CAGE CODE: 00779 DRAWING NO: 2212082
 WEIGHT: - RESTRICTED TO: -
 MATERIAL: - FINISH: -
 DIMENSIONS: INCHES
 TOLERANCES UNLESS OTHERWISE SPECIFIED:
 0 PLC ±.
 1 PLC ±.
 2 PLC ±.02
 3 PLC ±.010
 4 PLC ±.
 ANGLES ±5

Customer Drawing SCALE: 4:1 SHEET 1 OF 2 REV A

LOC		DIST		REVISIONS			
P	LTN	DESCRIPTION	DATE	DMN	APVD		
-	-	SEE SHEET 1	-	-	-	-	-



SUGGESTED PANEL LAYOUT
 VIEWED FROM CONNECTOR MOUNTING SIDE



SUGGESTED PCB LAYOUT
 VIEWED FROM CONNECTOR MOUNTING SIDE

THIS DRAWING IS A CONTROLLED DOCUMENT.		DMN D. ORRIS 16OCT2012	TE Connectivity	
DIMENSIONS: INCHES		CHK D. ORRIS 16OCT2012		
TOLERANCES UNLESS OTHERWISE SPECIFIED:		APVD D. ORRIS 16OCT2012	NAME SOCKET CONNECTOR ASSEMBLY	
0 PLC ±.02		PRODUCT SPEC	CRIMP	
1 PLC ±.02		APPLICATION SPEC	SQUARE DRAWER	
2 PLC ±.010		SIZE	A100779C=2212082	
3 PLC ±.010		RESTRICTED TO		
4 PLC ±.010		WEIGHT		
ANGLES ±.5		Customer Drawing	SCALE 4:1 SHEET 2 OF 2 REV A	
FINISH				