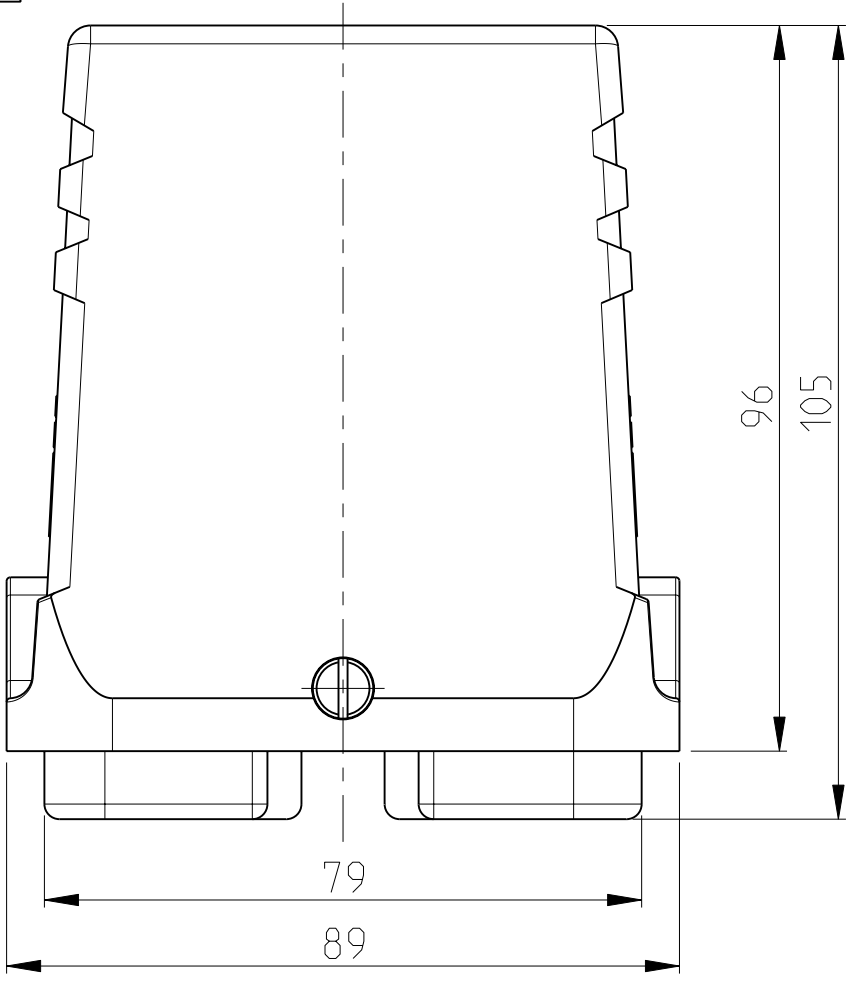
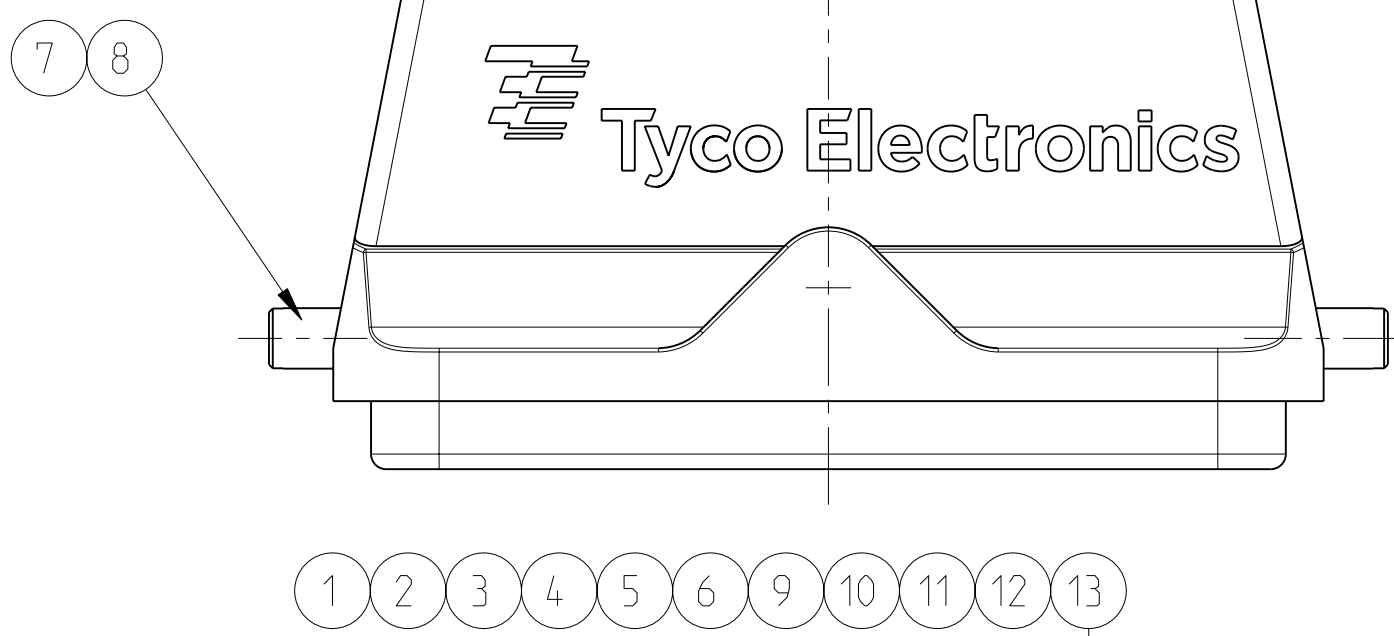


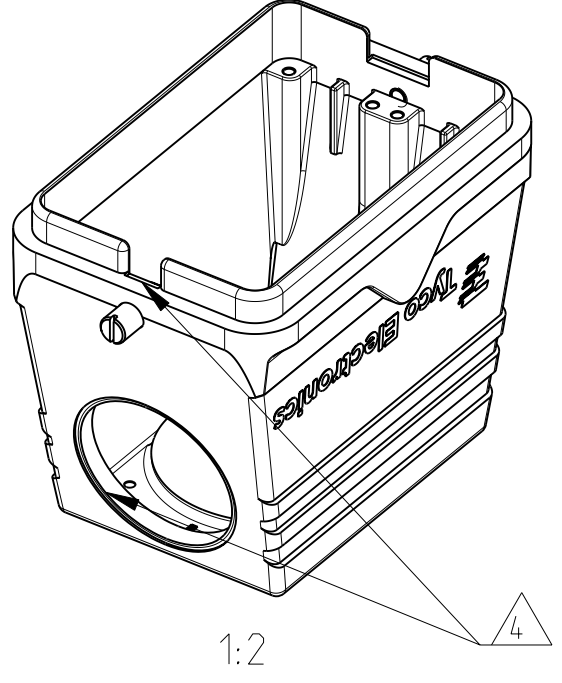
THIS DRAWING IS UNPUBLISHED. RELEASED FOR PUBLICATION 2006
 © COPYRIGHT 2006 BY TYCO ELECTRONICS CORPORATION. ALL RIGHTS RESERVED.

| LOC | DIST | REVISIONS | | | |
|-----|------|---------------------------------|-----------|-----|------|
| P | LTR | DESCRIPTION | DATE | DWN | APVD |
| A1 | - | | | | |
| B3 | | new pro/E drawing ECR-08-022186 | 27JAN2009 | SR | AR |
| B4 | | ECR-10-008205 | 29APR2010 | VG | AR |

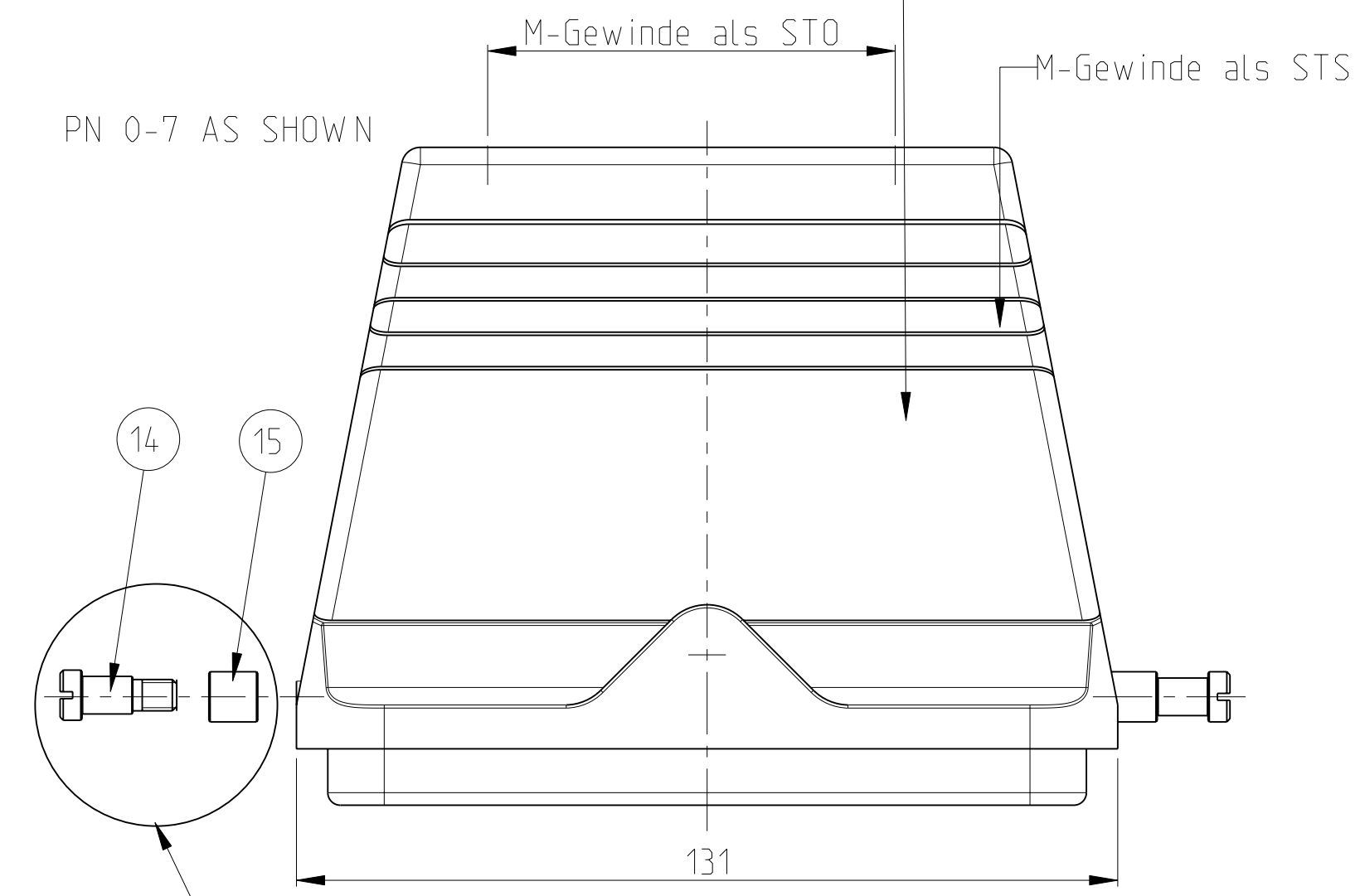
PN 0-1 AS SHOWN



PN 1-2



PN 0-7 AS SHOWN



only for PN 0-7 to 0-9

NOTES

- 1 PART SHALL BE FREE AND CLEAN OF BURRS AND OTHER FOREIGN MATERIAL
- 2 PACKAGING: QUANTITY 3 PIECES
- 3 VARNISHING INSIDE HOUSING NOT REQUIRED
- 4 GLAND FITTING THREAD IS ORIENTATED TO THE SMALLER POLARIZATION NOTCH

| 1-2 | 1-1 | 1-0 | 0-9 | 0-8 | 0-7 | 0-6 | 0-5 | 0-4 | 0-3 | 0-2 | 0-1 | DESCRIPTION | MATERIAL | SURFACE | COLOR | ITEM | NOTES |
|-----|-----|-----|-----|-----|-----|-----|-----|-----|-----|-----|-----|-----------------------------|-----------------|----------------|-------|------|------------------|
| | | | | | | | | | | | | HOOD-HB-K | ALUMINIUM | ALUMINIUM OXID | BLACK | 16 | SMALL CODING NUT |
| | | | | | | | | | | | | SLIDE SPOOL - ST ÄUBLI | BRASS | BLANC | | 15 | |
| | | | | | | | | | | | | CLIP BOLT | STAINLESS STEEL | BLANC | | 14 | |
| | | | | | | | | | | | 1 | HOOD-HB | ALUMINIUM | | GREY | 13 | |
| | | | | | | | | | | | | HOOD-HB | ALUMINIUM | | GREY | 12 | WITHOUT HTS-LOGO |
| | | | | | | | | | | | | HOOD-HB | ALUMINIUM | | GREY | 11 | WITHOUT HTS-LOGO |
| | | | | | | | | | | | | HOOD-HB | ALUMINIUM | | GREY | 10 | WITHOUT HTS-LOGO |
| | | | | | | | | | | | | HOOD-HB | ALUMINIUM | | GREY | 9 | WITHOUT HTS-LOGO |
| | | | | | | | | | | | | CLIP BOLT | STAINLESS STEEL | BLANC | | 8 | |
| | | | | | | | | | | | | CLIP BOLT | STEEL | ZINK PLATED | BLUE | 7 | |
| | | | | | | | | | | | | HOOD-HB-K | ALUMINIUM | ALUMINIUM OXID | BLACK | 6 | |
| | | | | | | | | | | | | HOOD-HB | ALUMINIUM | | GREY | 5 | |
| | | | | | | | | | | | | HOOD-HB-K | ALUMINIUM | ALUMINIUM OXID | BLACK | 4 | |
| | | | | | | | | | | | | HOOD-HB-K | ALUMINIUM | ALUMINIUM OXID | BLACK | 3 | |
| | | | | | | | | | | | | HOOD-HB | ALUMINIUM | | GREY | 2 | |
| | | | | | | | | | | | | HOOD-HB | ALUMINIUM | | GREY | 1 | |
| | | | | | | | | | | | | DESCRIPTION | MATERIAL | SURFACE | COLOR | ITEM | NOTES |
| | | | | | | | | | | | | HB.48.STO-GR.1.M50.G | | | | | |
| | | | | | | | | | | | | HB.48.STS-GR.1.M50.G | | | | | |
| | | | | | | | | | | | | HB-K.48.STO-GR.1.M63.G | | | | | |
| | | | | | | | | | | | | HB-K.48.STS-GR.1.M50.G | | | | | |
| | | | | | | | | | | | | HB.48.STS-GR.1.M40.G | | | | | |
| | | | | | | | | | | | | HB-K.48.STO-GR.1.M50.G | | | | | |
| | | | | | | | | | | | | HB.48.STO-GR.1.M50.G | | | | | |
| | | | | | | | | | | | | HB.48.STS-GR.1.M50.G | | | | | |
| | | | | | | | | | | | | HB.48.ST-GR | | | | | |
| | | | | | | | | | | | | HB.48.STO-GR.1.M40.G | | | | | |
| | | | | | | | | | | | | HB.48.STO-GR.2.M25.G | | | | | |
| | | | | | | | | | | | | HB-K.48.STS-GR.1.M50.G-Code | | | | | |

| | | | |
|--|--|---|---|
| THIS DRAWING IS A CONTROLLED DOCUMENT FOR TYCO ELECTRONICS CORPORATION IT IS SUBJECT TO CHANGE AND THE CONTROLLING ENGINEERING ORGANIZATION SHOULD BE CONTACTED FOR THE LATEST REVISION. | | DWN R.SCHNEIDER 27JAN2009 CHK T.SCHNURPFEL 27JAN2009 APVD - | Tyco Electronics tyco Electronics AMP GmbH 53757 Sankt Augustin (Germany) |
| DIMENSIONS: mm | TOLERANCES UNLESS OTHERWISE SPECIFIED: 0 PLC ±- 1 PLC ±- 2 PLC ±- 3 PLC ±- 4 PLC ±- ANGLES ±1° FINISH | PRODUCT SPEC - APPLICATION SPEC - WEIGHT - | NAME HOOD HB.48.STO-GR.1.M50.G SIZE A2 CAGE CODE 00779 DRAWING NO. 1106482 RESTRICTED TO - |
| MATERIAL - | | CUSTOMER DRAWING | SCALE 1:1 SHEET 1 OF 1 REV B4 |