

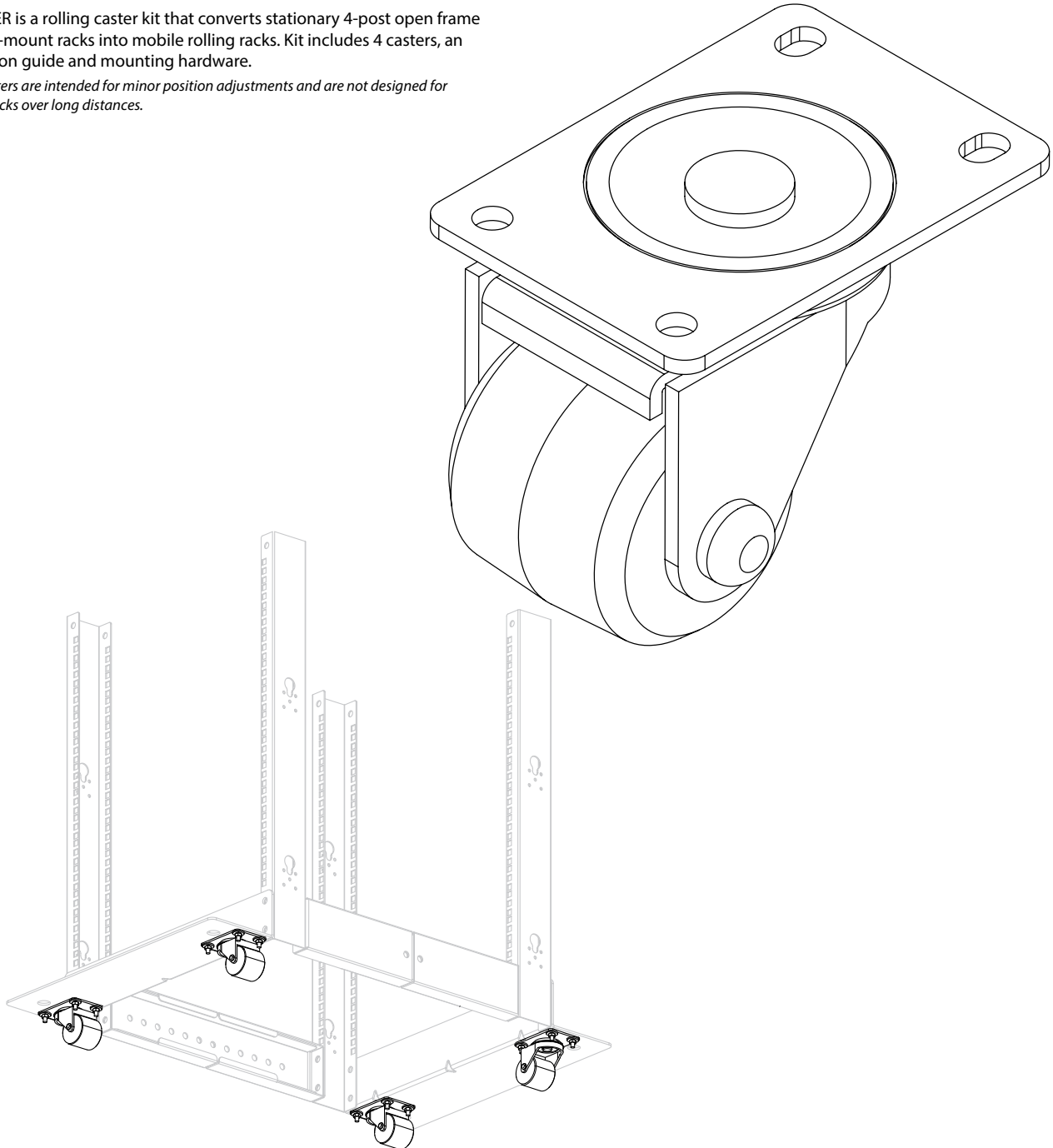
MODEL:

SRCASTER

SmartRack® Rolling Caster Kit—4 Pack

SRCASTER is a rolling caster kit that converts stationary 4-post open frame and wall-mount racks into mobile rolling racks. Kit includes 4 casters, an installation guide and mounting hardware.

Note: Casters are intended for minor position adjustments and are not designed for moving racks over long distances.



SEE NEXT PAGE FOR DETAILED UNIT MEASUREMENTS

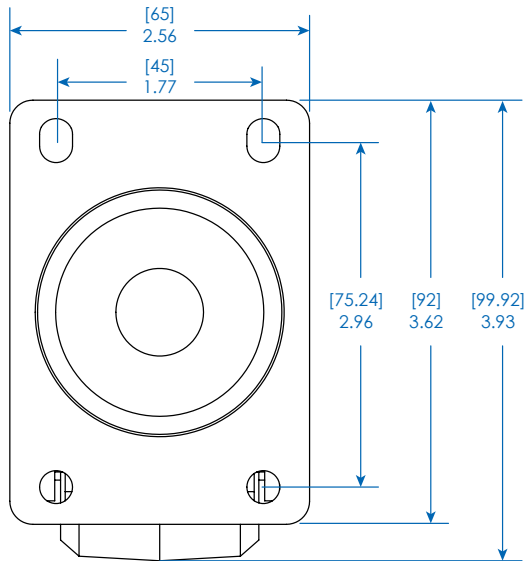
Specifications

Model	SRCASTER
Load Rating (per caster)	550 lb. (249 kg)
Shipping Dimensions (H x W x D)	3.75 x 7.75 x 4.5 (95 x 197 x 114 mm)
Shipping Weight	5.7 lb. (2.6 kg)
Standards	Tested to RoHS and GOST

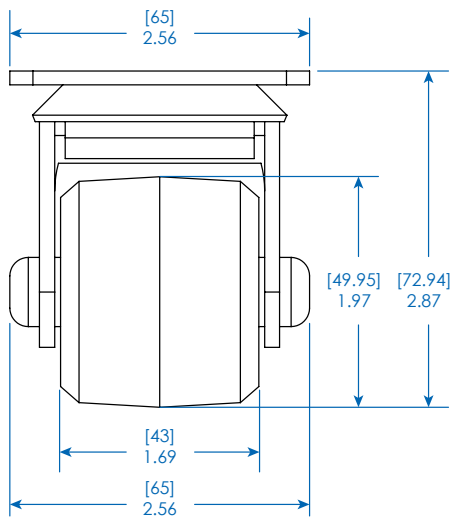
Tripp Lite has a policy of continuous improvement. Specifications are subject to change without notice.



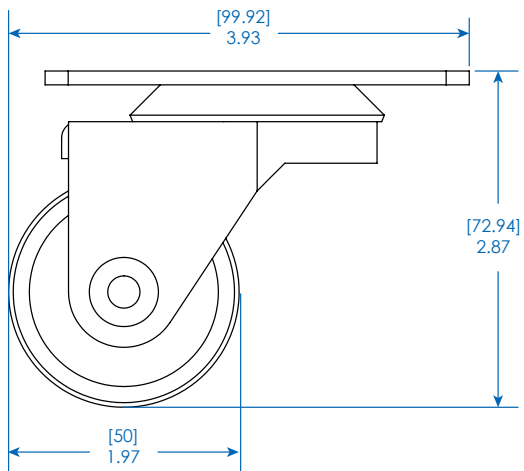
1111 W. 35th Street
Chicago, IL 60609 USA
773.869.1234
www.tripplite.com



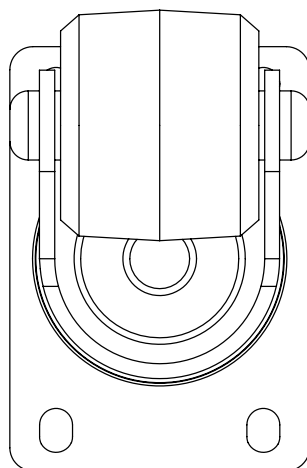
TOP VIEW



FRONT VIEW



SIDE VIEW



BOTTOM VIEW



1111 W. 35th Street
 Chicago, IL 60609 USA
 773.869.1234
 www.tripplite.com

Dimensions: [mm] INCHES

Tripp Lite has a policy of continuous improvement. Specifications are subject to change without notice.