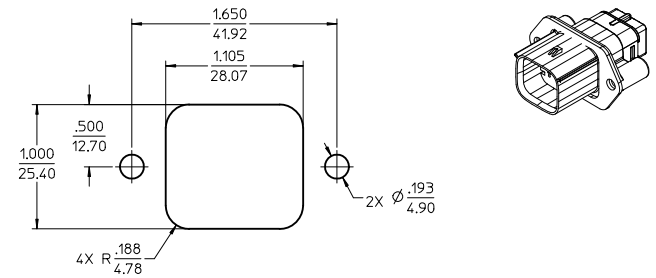
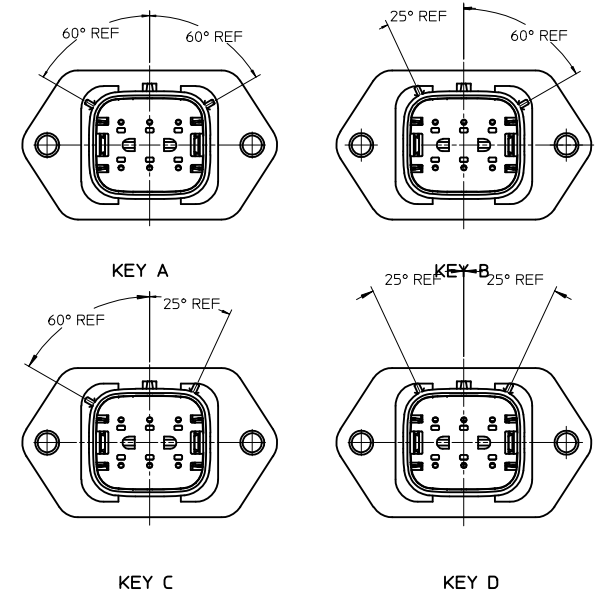
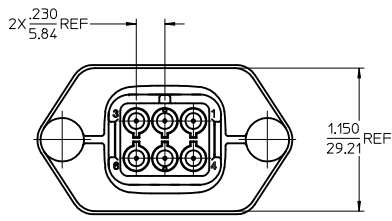
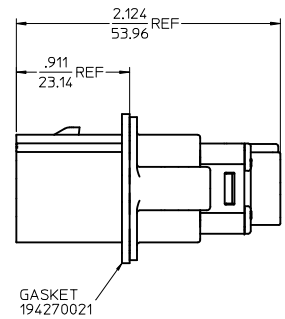
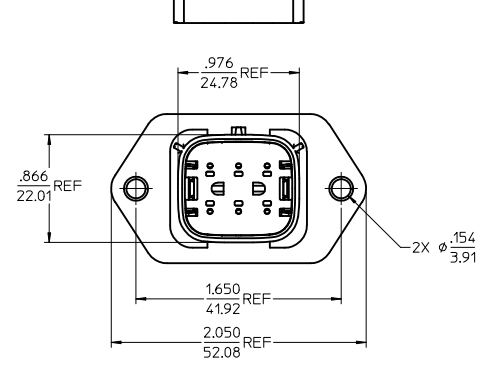
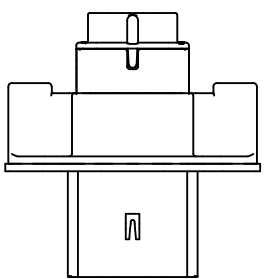


MATERIAL NUMBER	WIRE GAGE	GASKET	KEYING OPTION	COLOR
194350611	16-14	YES	A	BLACK
194350612	22-18	YES	A	BLACK
194350613	16-14	NO	A	BLACK
194350614	22-18	NO	A	BLACK
194350616	16-14	YES	B	GRAY
194350617	22-18	YES	B	GRAY
194350618	16-14	NO	B	GRAY
194350619	22-18	NO	B	GRAY
194350621	16-14	YES	C	BROWN
194350622	22-18	YES	C	BROWN
194350623	16-14	NO	C	BROWN
194350624	22-18	NO	C	BROWN
194350626	16-14	YES	D	GREEN
194350627	22-18	YES	D	GREEN
194350628	16-14	NO	D	GREEN
194350629	22-18	NO	D	GREEN



RECOMMENDED PANEL MOUNT OPENING
MAX PANEL THK .080/2.03



NOTES:

- MATERIALS:
HOUSING: POLYESTER (PBT), GLASS FILLED, UL94 V-0, COLOR: SEE CHART.
SEAL: SILICONE RUBBER.
GASKET: EPDM RUBBER.
- PRODUCT SPECIFICATION: PS-19417-001.
- PACKAGING SPECIFICATION: PK-19435-001.
GASKETS, IF REQUIRED FOR THE ASSEMBLIES, ARE BULK PACKAGED IN A SEPARATE BAG.
- MATES WITH: 19418 SERIES RECEPTACLE ASSEMBLIES.
- USE CONNECTOR WITH MALE CRIMP TERMINAL: SERIES 19417.
- RECOMMENDED MOUNTING HARDWARE: (2) #10 X .62/15.8 LONG PLASTIC THREAD CUTTING SCREWS. RECOMMENDED TORQUE 15-17 IN-LBS. SUGGESTED SOURCE: ITW SHAKEPROOF INDUSTRIAL BOSSCREW OR EQUIVALENT.

UPDATE NOTES IEC NO: FPG2012-0303 DRAWN/LENG: 2011/02/28 CHKD: APPR:DTJLUS 2012/02/28	QUALITY SYMBOLS	GENERAL TOLERANCES (UNLESS SPECIFIED)	DIMENSION STYLE	SCALE	DESIGN UNITS	THIRD ANGLE PROJECTION
	$\nabla=0$ $\nabla=0$	mm INCH 4 PLACES ± --- ± --- 3 PLACES ± --- ± .015 2 PLACES ± 0.38 ± --- 1 PLACE ± --- ± --- ANGULAR ± 2°	IN/MM DRAWN BY: JPW/LCK1 DATE: 02/09/05 CHECKED BY: DATE: JPW/LCK1 02/10/05 APPROVED BY: DATE: RDEROSS 02/11/05	2:1	INCH	
	DRAFT WHERE APPLICABLE MUST REMAIN WITHIN DIMENSIONS	MATERIAL NO: SEE CHART	TITLE: 6 WAY SEALED PLUG PANEL MOUNT ASSEMBLY, 22-14 AWG, "A-D" POLARIZATION	MOLEX INCORPORATED		SHEET NO. 1 OF 1
		DOCUMENT NO: SD-19435-006	THIS DRAWING CONTAINS INFORMATION THAT IS PROPRIETARY TO MOLEX INCORPORATED AND SHOULD NOT BE USED WITHOUT WRITTEN PERMISSION			