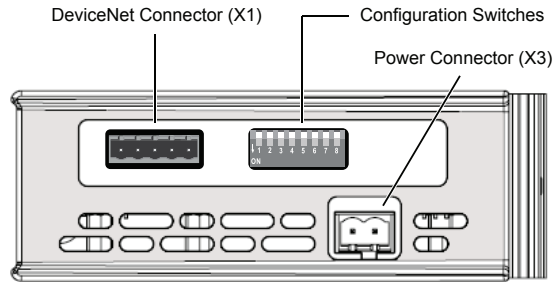


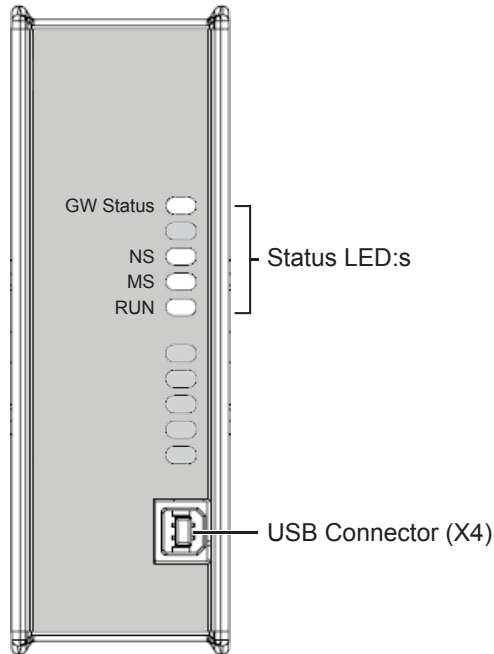
Product Overview

The DeviceNet Scanner interface can only be mounted in the top slot of the Anybus X-gateway.

Top view



Front view



Configuration Switches

Baud Rate

Switches 1 and 2 are used in combination to select the Baud rate:



Switch position		Baud rate
1	2	
OFF	OFF	125 k
OFF	ON	250 k
ON	OFF	500 k
ON	ON	(reserved)

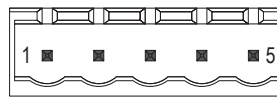
MAC ID

Switches 3 to 8 are used to set the MAC ID in binary format:



Switch position		MAC ID (example)
3	4	
OFF	OFF	0
OFF	OFF	1
ON	ON	63 (32+16+8+4+2+1)

DeviceNet Connector



Pin	Signal
1	V -
2	CAN L
3	Ground
4	CAN H
5	V +

LED Indicators

LED	Indication	Meaning
GW Status	See Gateway Installation Sheet	
NS	Green	Link OK, online, connected
	Green (flashing)	Online, not connected
	Red	Critical link failure
MS	Red (flashing)	Connection timeout
	Green	Normal operation
	Green (flashing)	Data size error
RUN	Red	Major fault, unrecoverable
	Red (flashing)	Minor fault, recoverable
	Green	Run mode
	Green (flashing)	Idle mode

Accessories Checklist

The following items are required for installation:

- DeviceNet configuration tool (optional, not included)
- USB cable (included)
- EDS file for DeviceNet (see www.anybus.com)
- DeviceNet connector (included)
- Termination resistor¹ (optional, not included)
- 11–25 VDC bus interface power source according to DeviceNet specification (optional, not included)

Installation and Startup Summary

1. Set the baud rate and MAC ID using the DIP switches
2. Connect the gateway to the network
3. Attach a termination resistor¹ (optional)
4. Connect a PC to the gateway via USB
5. Power up and configure the gateway
6. Install the EDS file in the DeviceNet configuration tool (optional)
7. Perform the DeviceNet scanlist configuration (optional)

¹ If the node is installed at the end of the bus

Technical Support

Technical support, documentation and software downloads are available at www.anybus.com.

Technical questions regarding the DeviceNet fieldbus system should be addressed to ODVA at www.odva.org.

ODVA™ and DeviceNet™ are trademarks of ODVA, Inc.