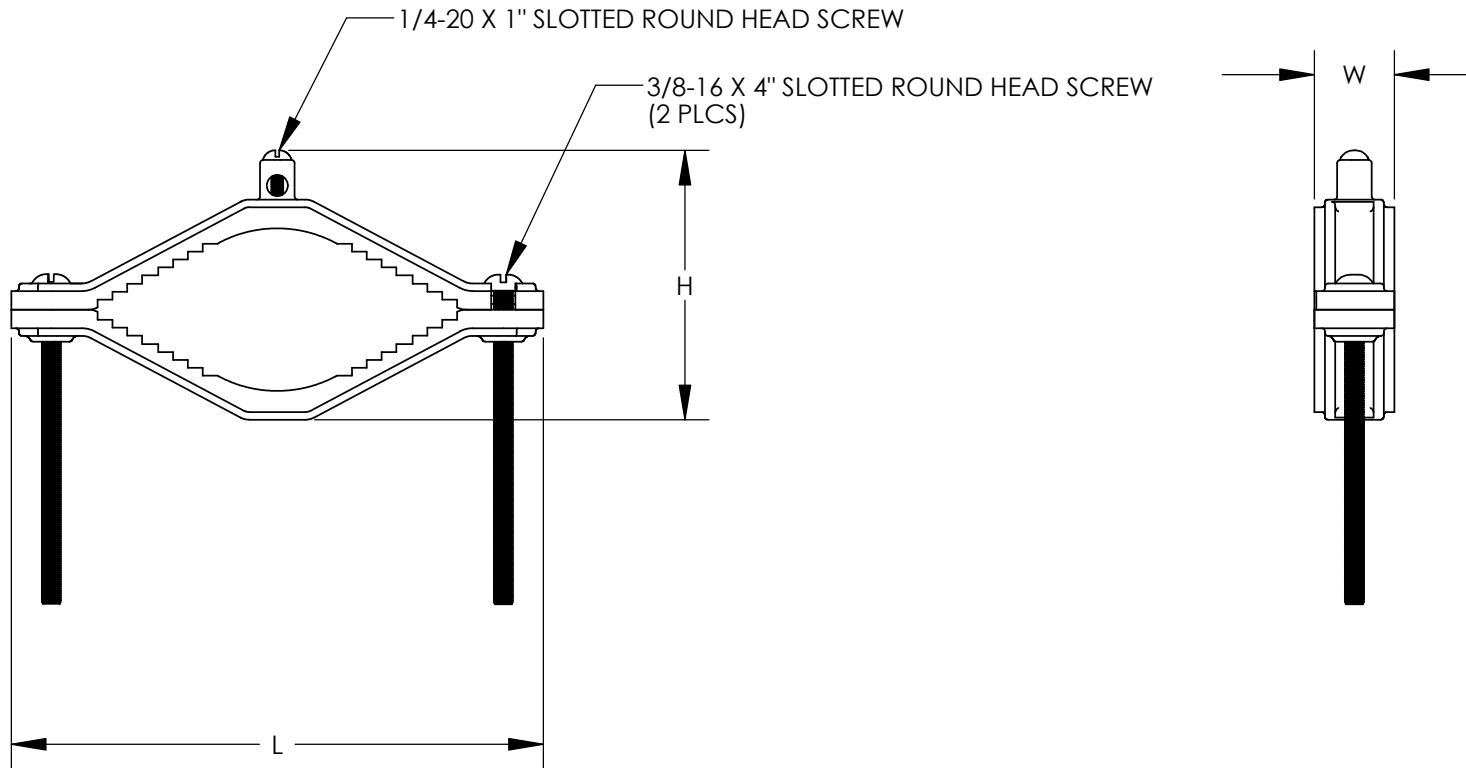


THIS COPY IS PROVIDED ON A RESTRICTED BASIS AND IS NOT TO BE USED IN ANY WAY DETRIMENTAL TO THE INTERESTS OF PANDUIT CORP.

NOTES:

1. DIMENSIONS IN PARENTHESIS ARE MILLIMETERS.
2. MATERIAL: BODY - SOLD CAST BRONZE  
SCREWS - STEEL, ZINC PLATED
3. ALL DIMENSIONS SHOWN ARE NOMINAL.
4. PACKAGE QUANTITY: -6 = 6  
-5 = 5
5. FOR BONDING BARE COPPER WIRE TO WATER PIPE.

PART NUMBER	CONDUCTOR RANGE		CLAMP SCREW (2 PLCS)	CONDUCTOR SCREW	DIMENSIONS - IN [mm]		
	WATER PIPE	GROUND WIRE			H	L	W
HG-4BZ-6	2-1/2" - 4"	#10 - #2	3/8-16 X 4"	1/4-20 X 1/2"	4.09 [103.9]	6.31 [160.3]	0.98 [24.9]
HG-6BZ-5	4-1/2" - 6"	#10 - #2	3/8-16 X 5"	1/4-20 X 1/2"	4.13 [104.9]	8.31 [211.1]	1.25 [31.8]



C41717\_01

					<b>PANDUIT CORP. TINLEY PARK, ILLINOIS</b>						
01	8/07	JHNU	LEM	REVISED PART DESCRIPTION IN TITLE BLOCK ADDED NOTE 5					BRONZE GROUND CLAMP (HG-4BZ-6, HG-6BZ-5) CUSTOMER DRAWING		
00	8/07	JHNU	LEM	DRAWING RELEASED							
REV	DATE	BY	CHK	DESCRIPTION	ECN	PM	APP	DRAWN BY		CHK'D	SCALE
								JHNU		NONE	C41717