

BRAID/DRAIN	AWG#20	AWG#28	AWG#28	AWG#20	5.0	5010	88732-9400	4		
	AWG#22	AWG#28	AWG#28	AWG#22	5.0	3340	88732-9300			
	AWG#24	AWG#28	AWG#28	AWG#24	4.7	2090	88732-9200			
	AWG#26	AWG#28	AWG#28	AWG#26	4.2	1320	88732-9100			
	AWG#28	AWG#28	AWG#28	AWG#28	4.2	820	88732-9000			
DRAIN WIRE	BLACK	GREEN	WHITE	RED	ケーブル外径 FINISH DIAMETER		A	製品番号 MATERIAL NO.	極数 CIRCUITS	
ワイヤーサイズ WIRE SIZE								DIMENSIONS: <input type="checkbox"/> mm <input type="checkbox"/> INCH <input checked="" type="checkbox"/> mm ONLY	SHT REVISE ON CAD ONLY	REV

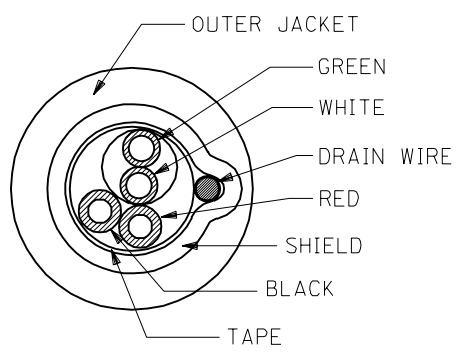
DO NOT SCALE DRAWING

EC NO. DRWN: CHK: APPR:	EC NO. DRWN: CHK: APPR:	EC NO. DRWN: CHK: APPR:	EC NO. DRWN: CHK: APPR:	EC NO. DRWN: CHK: APPR:	RELEASED EC NO. JD2000-0857 DRWN: YUKOJIMA 000/02/17 CHK: M.SASAO 000/02/17 APPR: H.IKESUGI 000/02/17	MATERIAL 材料 SEE SHEET 2	GENERAL TOLERANCES: (UNLESS SPECIFIED) 一般公差	SCALE 2-1	DESIGN UNITS <input checked="" type="checkbox"/> mm <input type="checkbox"/> INCH	THIRD ANGLE PROJECTION <input type="checkbox"/> mm <input type="checkbox"/> INCH <input checked="" type="checkbox"/> mm ONLY	TITLE: USB A-B I/O CABLE
					FINISH 仕上げ SEE SHEET 2	10 UNDER 未満	±0.2	DRAWN BY & DATE <i>Yu. Kojima</i> 2000/02/17		MATERIAL NO. SEE CHART	
					WIRE RANGE 適用線径範囲 SEE CHART	10 OVER 以上	±0.25	CHECKED BY & DATE <i>H. Sano</i> 2000/02/17		DRAWING NO. SD-88732-9*00	
					INS. RANGE 被覆外径 SEE CHART	30 OVER 以上	±0.3	APPROVED BY & DATE <i>H. Sano</i> 2000/02/17		SHEET NO. 1 OF 2	
						ANGLE 角度	±3°	CAD FILENAME 887329*00.S01		THIS DRAWING CONTAINS INFORMATION THAT IS PROPRIETARY TO MOLEX INCORPORATED AND SHOULD NOT BE USED WITHOUT WRITTEN PERMISSION.	

DWG. NO. SD-88732-9\*00

注記 )  
NOTES.

1. ケーブル構造  
CABLE CONSTITUTION



WIRE COLOR (SIGNAL NAME)	接点 CONTACT NUMBER	
	USB-A	USB-B
RED (V)	#1	#1
WHITE (-DATA)	#2	#2
GREEN (+DATA)	#3	#3
BLACK (GND)	#4	#4
DRAIN WIRE	SHEEL	SHEEL

2. 部品構成  
PART CONSTRUCTION

	部品名 PARTS NAME	材質 MATERIALS	処理 FINISH
①	TERMINAL	銅合金 COPPER ALLOY	接点部 : 金メッキ + パラジウムニッケル CONTACT AREA : GOLD + PALLADIUM-NICKEL
②	HOUSING	GLASS FILLED HEAT RESISTANT PLASTIC + GOLD FLASH COLOR : WHITE	— # —
③	USB-A FRONT SHELL	鋼 STEEL	下地 : 銅めっき、光沢 半田めっき UNDER PLATING : COPPER, LIGHT TIN PLATING
④	USB-A REAR SHELL	鋼 STEEL	下地 : 銅めっき、光沢 半田めっき UNDER PLATING : COPPER, LIGHT TIN PLATING
⑤	USB-B FRONT SHELL	鋼 STEEL	下地 : 銅めっき、光沢 半田めっき UNDER PLATING : COPPER, LIGHT TIN PLATING
⑥	USB-B REAR SHELL	鋼 STEEL	下地 : 銅めっき、光沢 半田めっき UNDER PLATING : COPPER, LIGHT TIN PLATING
⑦	CRIMP HOUSING	GLASS FILLED HEAT RESISTANT PLASTIC + GOLD FLASH COLOR : WHITE	— # —
⑧	OVER MOLD HOUSING	POLYVINYL CHLORIDE COLOR : FROST WHITE	— # —

DO NOT SCALE DRAWING

EC NO. DRWN: CHK'g APPR:	EC NO. DRWN: CHK'g APPR:	EC NO. DRWN: CHK'g APPR:	EC NO. DRWN: CHK'g APPR:	EC NO. DRWN: CHK'g APPR:	RELEASED EC NO. JD2000-0857 DRWN: YUKIYUKI '00/02/17 CHK'g: M.SASAO '00/02/17 APPR: H.IKESUGI '00/02/17	MATERIAL 材料 部品構成表参照 SEE PART CONSTRUCTION	FINISH 仕上げ 部品構成表参照 SEE PART CONSTRUCTION	WIRE RANGE 適用電線範囲 — # —	INS. RANGE 被覆外径 — # —	GENERAL TOLERANCES: (UNLESS SPECIFIED) 一般公差 10 UNDER 未満 0.2 10 OVER 以上 30 UNDER 未満 0.25 30 OVER 以上 0.3	SCALE 2-1	DESIGN UNITS <input checked="" type="checkbox"/> mm <input type="checkbox"/> INCH	THIRD ANGLE PROJECTION <input type="checkbox"/> mm INCH <input type="checkbox"/> mm INCH <input checked="" type="checkbox"/> mm ONLY	SHT REVISE ON CAD ONLY	REV
						DRAWN BY & DATE <i>Yu. Kojima</i> '00/02/17		CHECKED BY & DATE <i>H. Sasao</i> '00/02/17		APPROVED BY & DATE <i>H. Sasao</i> '00/02/17		CAD FILENAME 887329*00.S02		TITLE: USB A-B I/O CABLE	
						MATERIAL NO. SEE CHART		DRAWING NO. SD-88732-9*00		SHEET NO. 2 OF 2		MOLEX INCORPORATED		EN-02J(097) MXJ-54	
THIS DRAWING CONTAINS INFORMATION THAT IS PROPRIETARY TO MOLEX INCORPORATED AND SHOULD NOT BE USED WITHOUT WRITTEN PERMISSION.														SIZE B	

887329\*00.S02.DGN