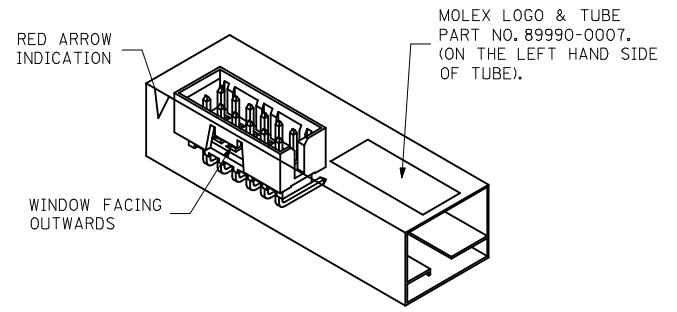
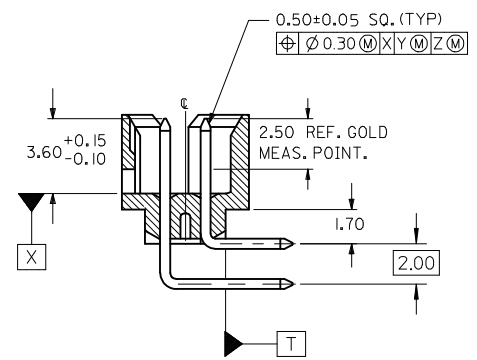
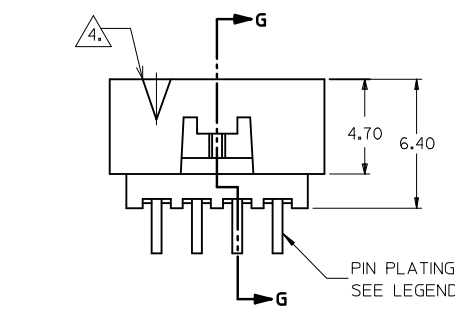


PART NO.	CKT SIZE	DIMENSION				
		A	B	C	D	E
87833-043*	4	2.00	4.85	6.65	5.00	1.00
87833-063*	6	4.00	6.85	8.65	7.00	2.00
87833-083*	8	6.00	8.85	10.65	9.00	3.00
87833-103*	10	8.00	10.85	12.65	11.00	4.00
87833-123*	12	10.00	12.85	14.65	13.00	5.00



ORIENTATION OF PART IN TUBE.
(FOR THE REFERENCE OF PART/TUBE ASSEMBLY.)



SECTION G-G

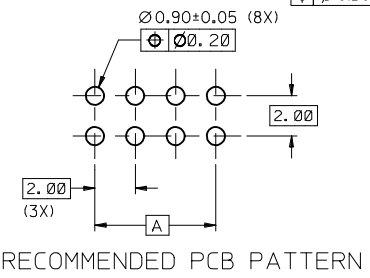
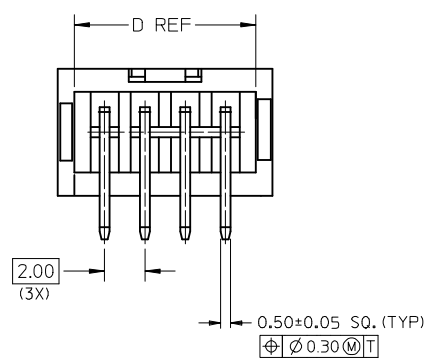
NOTES:

- FOR ILLUSTRATION PURPOSES, 8 CKT. SIZE WAFER IS SHOWN.
- MATERIAL:
HOUSING: 30% GF, NYLON 46
UL 94v-0, COLOR BLACK
PIN : 0.50MM SQ.PHOSPHOR BRONZE
- PIN PUSHOUT FORCE 0.91KG MIN.
- △ CKT 4 & 6 HAS NO IDENTIFICATION TAG.
- PRODUCT SPECIFICATION PS-87831-027 APPLIES.
- THIS HEADER MATES WITH MOLEX:
a) CRIMP RECEPTACLE HOUSING, 51110 SERIES WITH CRIMP TERMINAL, 50394 SERIES.
b) 2MM MILLIGRID DUAL ROW IDT, 87568 SERIES.
- PARTS TO BE PACKED IN TUBE WITH MOISTURE BARRIER BAG.
- NO CENTRE POLARIZATION SLOT FOR CKT 4 AND 6.

PART NUMBER LEGEND

87833 - ** 3 *
CKT SIZE PLATING OPTION

- 3 - 0.38um/15uIn GOLD IN CONTACT AREA AND 1.88um/75uIn MIN. TIN IN SOLDER TAIL AREA OVER 1.27um/50uIn MIN. NICKEL OVERALL.
- 4 - 0.76um/30uIn GOLD IN CONTACT AREA AND 1.88um/75uIn MIN. TIN IN SOLDER TAIL AREA OVER 1.27um/50uIn MIN. NICKEL OVERALL.



RECOMMENDED PCB PATTERN

ADD IN NOTES NO. 8 EC NO: S2009-0964 DRWN: YMC HONG CHKD: SKANG APPR: MLONG 2009/07/01 2009/07/08 2009/07/15	QUALITY SYMBOLS ▽=0 ◁=0	GENERAL TOLERANCES (UNLESS SPECIFIED)		DIMENSION STYLE MM ONLY		SCALE NTS	DESIGN UNITS METRIC	THIRD ANGLE PROJECTION		
		4 PLACES	± ---	± ---	DRAWN BY	DATE	TITLE			
		3 PLACES	± ---	± ---	ATSEE	2004/09/08	MGRID, SHROUDED HEADER W/LOCKING FEATURE & SINGLE SIDE SLOT, R/A			
		2 PLACES	± 0.2	± ---	CHECKED BY	DATE				
1 PLACE	± ---	± ---	KCL ING	2004/09/23	MOLEX INCORPORATED					
ANGULAR ± 3 °			APPROVED BY	DATE						
DRAFT WHERE APPLICABLE MUST REMAIN WITHIN DIMENSIONS			SKTOH	2004/09/23	MATERIAL NO. SEE TABLE		DOCUMENT NO. SD-87833-037		SHEET NO. 1 OF 1	
THIS DRAWING CONTAINS INFORMATION THAT IS PROPRIETARY TO MOLEX INCORPORATED AND SHOULD NOT BE USED WITHOUT WRITTEN PERMISSION										