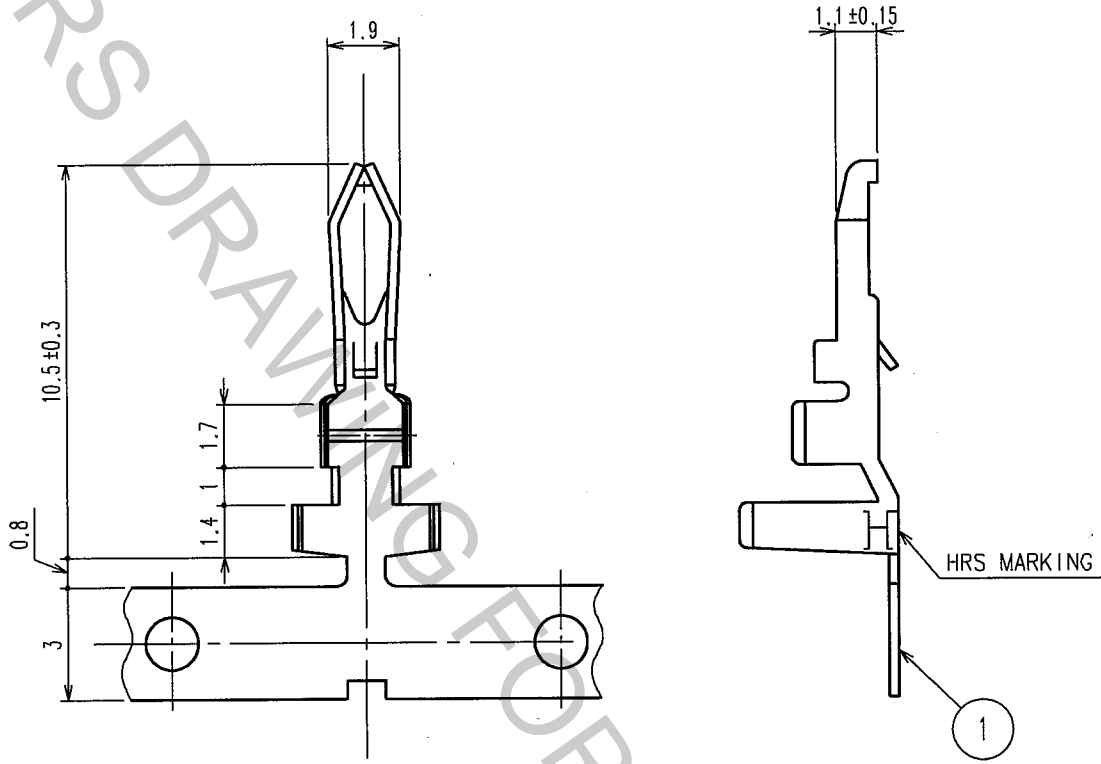


1		2			3			4		
COUNT	DESCRIPTION OF REVISIONS	BY	CHKD	DATE	COUNT	DESCRIPTION OF REVISIONS	BY	CHKD	DATE	
△				..	△				..	
△					△				..	
△					△				..	



NOTES 1: THE SIZE RANGE WITHOUT SPECIFICATION IS SET TO ±0.2.  
 2: APPLICABLE WIRE UL1015 18 TO 22 AWG.  
 3: 5000 PIECES PER REEL.

NO.	MATERIAL	FINISH, REMARKS	NO.	MATERIAL	FINISH, REMARKS
			1	BRASS	SURFACE: TIN PLATED 2μm min UNDER PLATING: COPPER PLATED 0.5μm min

CODE NO. (OLD)	DRAWN	DESIGNED	CHECKED	APPROVED	RELEASED
	F. Matsuki '04.04.16	H. Umehara '04.04.16	T. Ona '04.04.16	T. Ona '04.04.16	

 SACLE 5 : 1 UNITS mm	DRAWING NO.	PART NO.
	EDC4-081681-01	DF6A-1822PCF(05)
 HIROSE ELECTRIC CO., LTD.	CODE NO.	1/1
	CL546-0013-0-05	

TO

