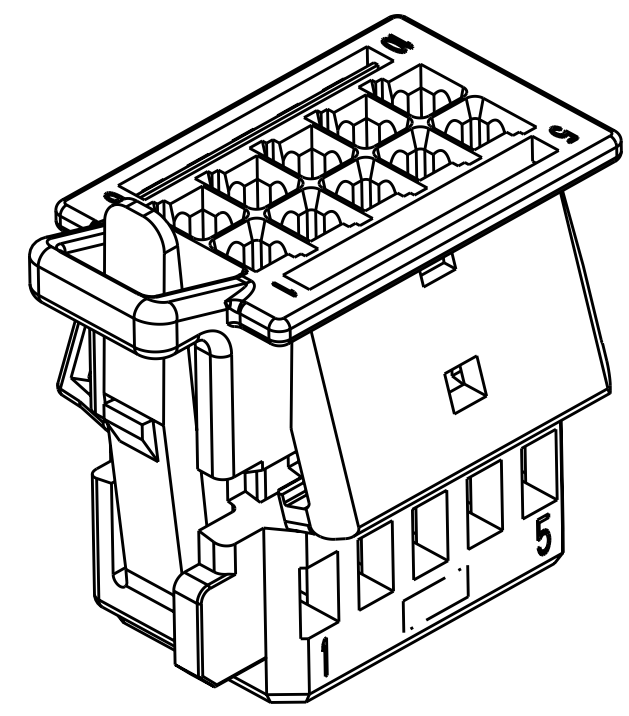
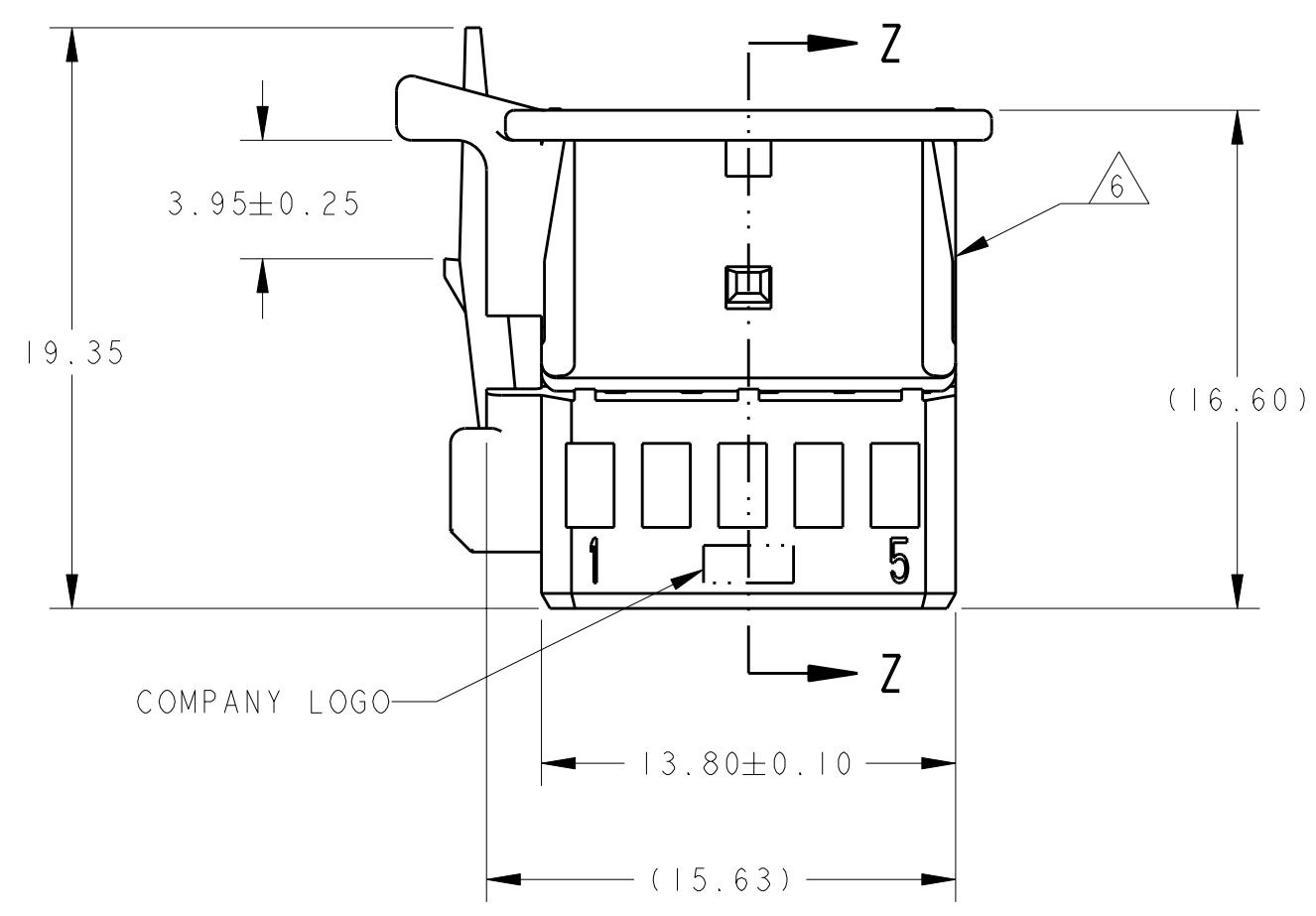
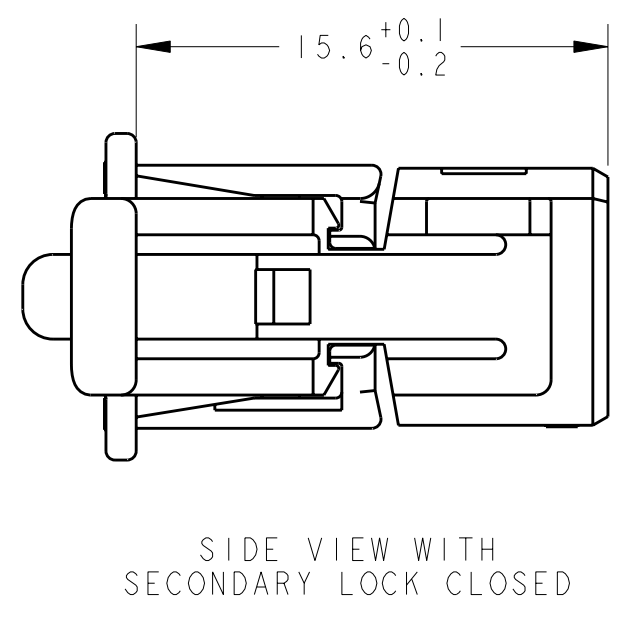
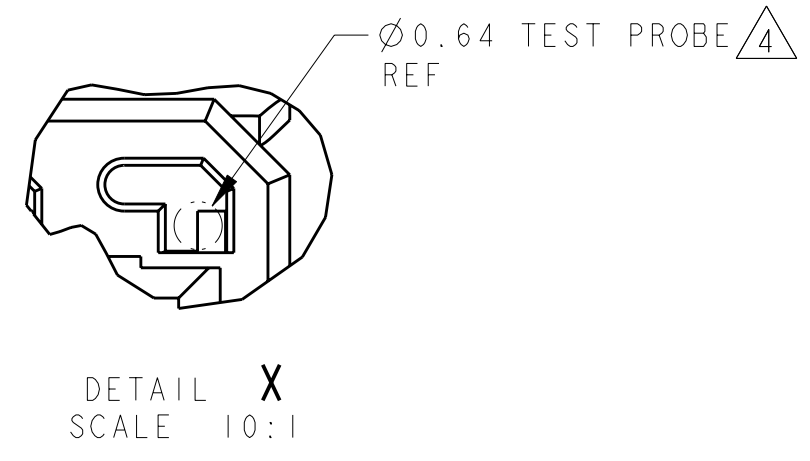
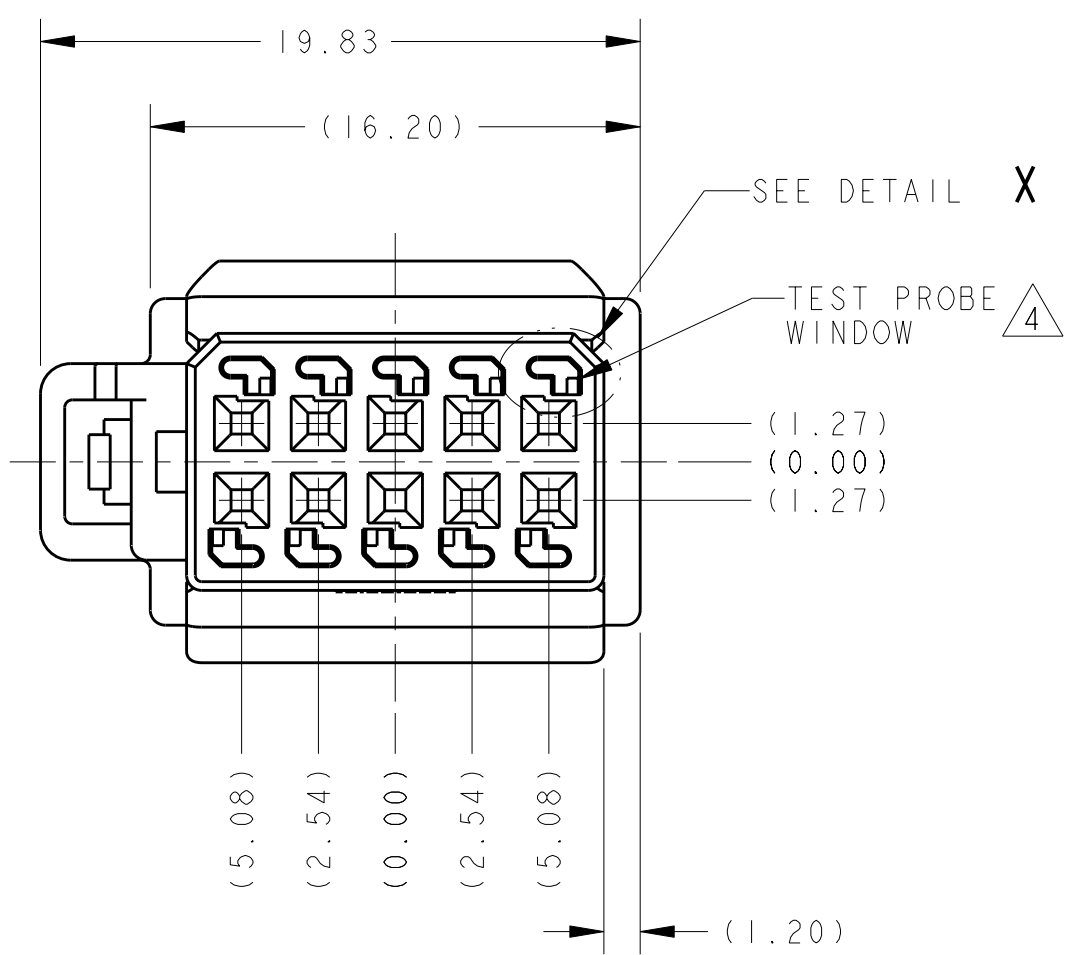
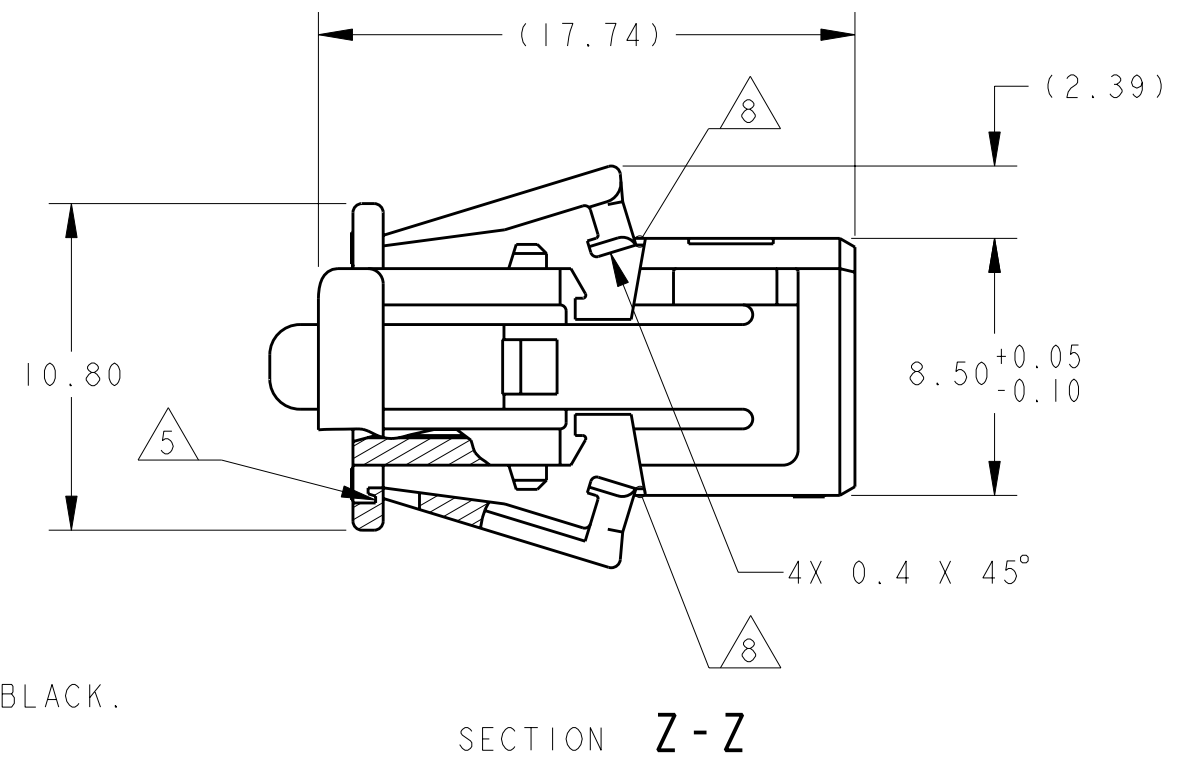


THIS DRAWING IS UNPUBLISHED. RELEASED FOR PUBLICATION 20
 © COPYRIGHT 20 BY TYCO ELECTRONICS CORPORATION. ALL RIGHTS RESERVED.

LOC	DIST	REVISIONS					
IN	00	P	LTR	DESCRIPTION	DATE	DWN	APVD
		A		REV PER ECR-05-000943	24MAR2005	KF	AJV
		B		REV PER ECR-06-002712	02FEB2006	KF	AJV
		B1		REV PER ECR-07-022031	08OCT2007	AH	BK
		B2		PER ECR-10-012906	22JUN2010	VSS	DZ



APPLICABLE TERMINALS & WIRE SIZES			
DESCRIPTION	TE P/N	WIRE SIZE	WIRE SIZE (MM ²)
TERMINAL - FEMALE (Sn)	928999-1	20-22 AWG	0.22-0.5
TERMINAL - FEMALE (Au)	928999-5	20-22 AWG	0.22-0.5
TERMINAL - FEMALE (Sn)	963715-1	18 AWG	0.75
TERMINAL - FEMALE (Au)	963715-5	18 AWG	0.75



- 1 MAT'L: PBT, 15% GLASS FILLED, BLACK.
- 2. 1488973-1 SHOWN
- 3. REFER TO PRODUCT GROUP DRAWING 929454 FOR TERMINAL CONTACT INFORMATION. THIS PLUG WILL NOT WORK WITH TERMINALS DESIGNED FOR INDIVIDUAL WIRE SEALS.
- 4 SEE APPLICATION SPEC. 114-13143 FOR TEST PROBE LOCATION LAYOUT.
- 5 WHEN SECONDARY LOCK IS TRANSITIONED FROM THE OPEN TO THE CLOSED POSITION THE PLASTIC ATTACHING THE SECONDARY LOCK IS ALLOWED/ASSUMED TO BREAK AWAY IN THE AREA SHOWN (TYPICAL).
- 6 FOUR DIGIT DATE CODE (MMYY), LOCATED IN APPROXIMATE AREA SHOWN.
- 7. REFERENCE TYCO ELECTRONICS DRAWING NUMBER 1488974 FOR MATING INTERFACE DESIGN DETAILS.
- 8 DURING SHIPPING THESE WEBS MAY BE FRACTURED, AND UP TO 1% OF PARTS MAY HAVE ONE OR BOTH SECONDARY LOCKS IN THE CLOSED POSITION. REFER TO APPLICATION SPEC 114-13143 FOR INSTRUCTION ON USING PARTS IN THIS CONDITION.

KEY KB	1488973-2
KEY KA	1488973-1
KEYING ARRANGEMENTS	PART NUMBER

THIS DRAWING IS A CONTROLLED DOCUMENT FOR TYCO ELECTRONICS CORPORATION. IT IS SUBJECT TO CHANGE AND THE CONTROLLING ENGINEERING ORGANIZATION SHOULD BE CONTACTED FOR THE LATEST REVISION.		DWN J. R. SHUEY 22DEC2003	Tyco Electronics Harrisburg, PA 17105-3608	
DIMENSIONS: mm		CHK E. KINSEY 22JUN2004	NAME SOCKET HOUSING, 10 POSITION 2 X 5, MQS CONNECTOR	
TOLERANCES UNLESS OTHERWISE SPECIFIED: 0 PLC ± 1 PLC ± 2 PLC ±0.20 3 PLC ± 4 PLC ± ANGLES ± FINISH		APVD E. KINSEY 22JUN2004	PRODUCT SPEC 108-18590-0	
MATERIAL		APPLICATION SPEC 114-13143	SIZE A2	CAGE CODE 00779
DRAWING NO. 1488973		WEIGHT 1.7 G	DRAWING NO. 1488973	RESTRICTED TO -
CUSTOMER DRAWING		SCALE 4:1	SHEET 1	OF 1
			REV B2	