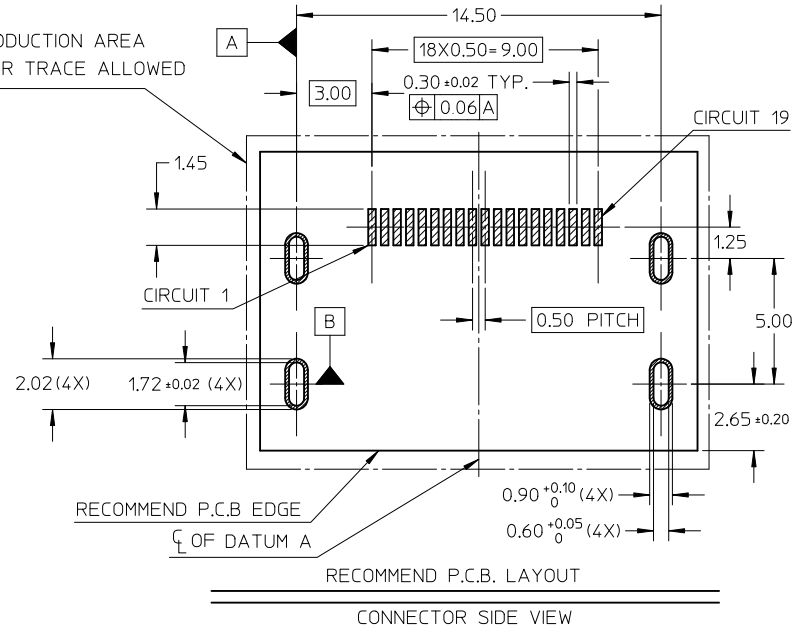
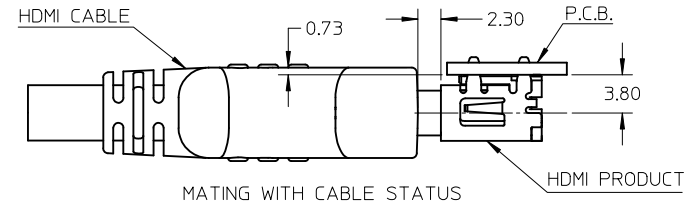


HDMI PRODUCTION AREA
NO OTHER TRACE ALLOWED

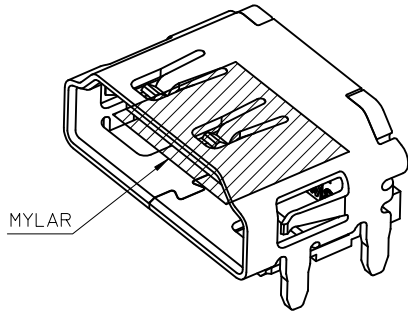


- NOTES:
1. P.C.B. THICKNESS: 1.20±0.05mm.
2. TOLERANCE OF UNSPECIFIED DIMENSIONS ARE ±0.05mm

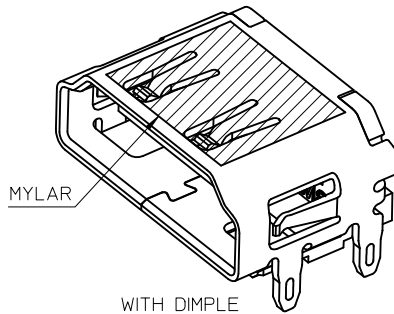


ADD NEW P/N EC NO: S2012-0578 DRWN: JZENG CHKD: JESSIECHUA APPR: NAGESHKAN 2012/01/31 2012/03/15 2012/03/19	QUALITY SYMBOLS ▽=0 ◻=0	GENERAL TOLERANCES (UNLESS SPECIFIED)		DIMENSION STYLE MM ONLY		SCALE 10:1	DESIGN UNITS METRIC	THIRD ANGLE PROJECTION	
		4 PLACES ± --- ± ---	mm INCH	DRAWN BY TXUE	DATE 2006/02/13	TITLE 1.0 HDMI RIGHT ANGLE HEADER ASSEMBLY(19 PIN) REVERSE LEAD FREE			
		3 PLACES ± --- ± ---		CHECKED BY JTIAN	DATE 2006/02/13	MOLEX INCORPORATED			
		2 PLACES ± 0.25 ± --- 1 PLACE ± --- ± ---		APPROVED BY GRMA	DATE 2006/02/13	DOCUMENT NO. SD-47408-001			
G1	REV DESCRIPTION	DRAFT WHERE APPLICABLE MUST REMAIN WITHIN DIMENSIONS		SEE SHEET 2		SHEET NO. 1 OF 2		THIS DRAWING CONTAINS INFORMATION THAT IS PROPRIETARY TO MOLEX INCORPORATED AND SHOULD NOT BE USED WITHOUT WRITTEN PERMISSION	

10	9	8	7	6	5	4	3	2	1
PART NO.	PLATING TYPE IN CONTACT AREA		PLATING TYPE ON SHELL	DIMPLE	REMARK				
474080001	GOLD PLATING 0.76 MICROMETER AND GOLD FASH		MATTE TIN	W/O	W/O MYLAR	NOTES: 1. MATERIAL: HOUSING: HIGH TEMPERATURE THERMAL PLASTIC. SHELL: COPPER ALLOY. TERMINAL: COPPER ALLOY. 2. PLATING: TERMINAL: CONTACT AREA: SEE TABLE. SOLDER AREA: 1 MICROMETER MIN. TIN ALLOY PLATED. UNDER PLATE: 1.27 MICROMETER MIN. NICKEL. SHELL: 1.27 MICROMETER MIN. MATTE TIN AND NICKEL PLATE OVERALL. 3. COPLANARITY IS 0.1MM MAX. 4. PRODUCT SPECIFICATION REFER TO PS-47152-001; TBA FOR PD/NI OPTION. 5. COMPLIANT TO RoHS DIRECTIVE 2002/95/EC AND ELV DIRECTIVE 2000/53/EC.			
474080101	GOLD PLATING 0.25 MICROMETER								
474080201	GOLD FLASH								
474081001	GOLD PLATING 0.76 MICROMETER AND GOLD FASH								
474081101	GOLD PLATING 0.25 MICROMETER								
474081201	GOLD FLASH								
474080011	GOLD PLATING 0.76 MICROMETER AND GOLD FASH			WITH	W/O MYLAR				
474080111	GOLD PLATING 0.25 MICROMETER								
474080211	GOLD FLASH								
474081011	GOLD PLATING 0.76 MICROMETER AND GOLD FASH								
474081111	GOLD PLATING 0.25 MICROMETER								
474081211	GOLD FLASH		SOLDERABLE NICKEL	W/O	W/O MYLAR				
474082001	GOLD PLATING 0.76 MICROMETER AND GOLD FASH								
474082101	GOLD PLATING 0.25 MICROMETER								
474082201	GOLD FLASH								
474083001	GOLD PLATING 0.76 MICROMETER AND GOLD FASH								
474083101	GOLD PLATING 0.25 MICROMETER			WITH	W/O MYLAR				
474083201	GOLD FLASH								
474082011	GOLD PLATING 0.76 MICROMETER AND GOLD FASH								
474082111	GOLD PLATING 0.25 MICROMETER								
474082211	GOLD FLASH								
474083011	GOLD PLATING 0.76 MICROMETER AND GOLD FASH		WITH MYLAR						
474083111	GOLD PLATING 0.25 MICROMETER								
474083211	GOLD FLASH								
474080301	GOLD PLATING 0.05 MICROMETER OVER			W/O	W/O MYLAR				
474081301	PD/NI 0.70 MICROMETER					WITH MYLAR			



WITHOUT DIMPLE



WITH DIMPLE

ADD NEW P/N EC NO: S2012-0578 DRWN: JZENG CHKD: JESSIECHUA APPR: NAGESHKIN	2012/01/31 2012/03/15 2012/03/19	DESCRIPTION REV	QUALITY SYMBOLS	GENERAL TOLERANCES (UNLESS SPECIFIED)	DIMENSION STYLE	SCALE	DESIGN UNITS	THIRD ANGLE PROJECTION															
			$\nabla=0$ $\nabla C=0$	<table border="1"> <thead> <tr> <th></th> <th>mm</th> <th>INCH</th> </tr> </thead> <tbody> <tr> <td>4 PLACES</td> <td>± ---</td> <td>± ---</td> </tr> <tr> <td>3 PLACES</td> <td>± ---</td> <td>± ---</td> </tr> <tr> <td>2 PLACES</td> <td>± 0.25</td> <td>± ---</td> </tr> <tr> <td>1 PLACE</td> <td>± ---</td> <td>± ---</td> </tr> </tbody> </table>		mm	INCH	4 PLACES	± ---	± ---	3 PLACES	± ---	± ---	2 PLACES	± 0.25	± ---	1 PLACE	± ---	± ---	MM ONLY	10:1	METRIC	
				mm	INCH																		
			4 PLACES	± ---	± ---																		
			3 PLACES	± ---	± ---																		
2 PLACES	± 0.25	± ---																					
1 PLACE	± ---	± ---																					
	<table border="1"> <thead> <tr> <th>DRAWN BY</th> <th>DATE</th> <th>TITLE</th> </tr> </thead> <tbody> <tr> <td>TXUE</td> <td>2006/02/13</td> <td rowspan="4">1.0 HDMI RIGHT ANGLE HEADER ASSEMBLY(19 PIN) REVERSE LEAD FREE</td> </tr> <tr> <td>CHECKED BY</td> <td>DATE</td> </tr> <tr> <td>JTIAN</td> <td>2006/02/13</td> </tr> <tr> <td>APPROVED BY</td> <td>DATE</td> </tr> </tbody> </table>	DRAWN BY	DATE	TITLE	TXUE	2006/02/13	1.0 HDMI RIGHT ANGLE HEADER ASSEMBLY(19 PIN) REVERSE LEAD FREE	CHECKED BY	DATE	JTIAN	2006/02/13	APPROVED BY	DATE		MOLEX INCORPORATED								
DRAWN BY	DATE	TITLE																					
TXUE	2006/02/13	1.0 HDMI RIGHT ANGLE HEADER ASSEMBLY(19 PIN) REVERSE LEAD FREE																					
CHECKED BY	DATE																						
JTIAN	2006/02/13																						
APPROVED BY	DATE																						
	ANGULAR ± 3 °	SEE TABLE	SD-47408-001	2 OF 2																			
G1			DRAFT WHERE APPLICABLE MUST REMAIN WITHIN DIMENSIONS	THIS DRAWING CONTAINS INFORMATION THAT IS PROPRIETARY TO MOLEX INCORPORATED AND SHOULD NOT BE USED WITHOUT WRITTEN PERMISSION																			