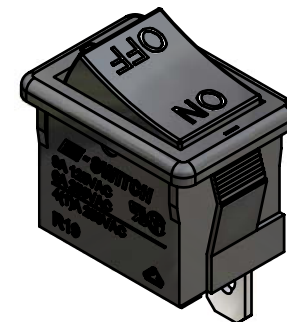
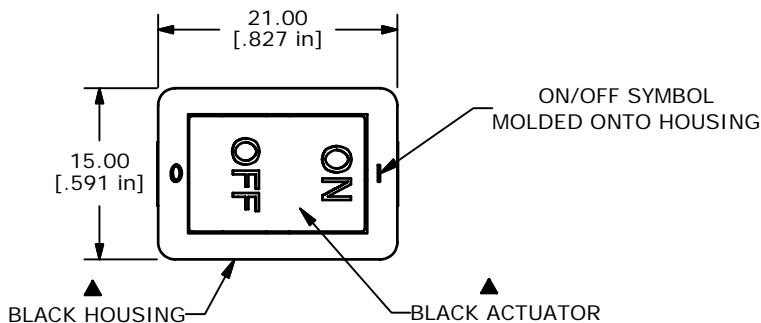
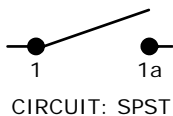
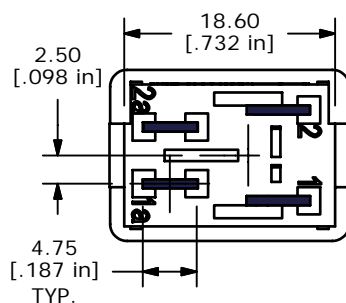
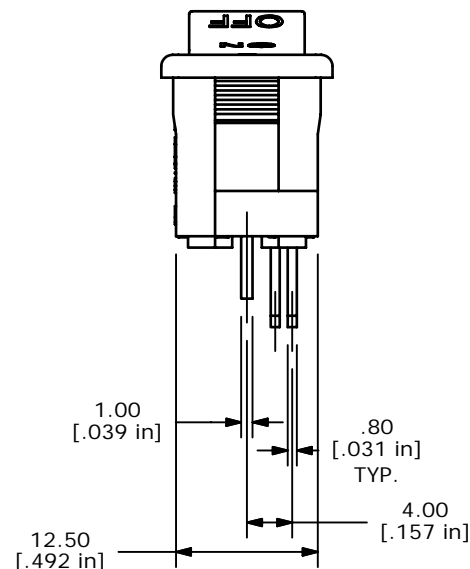
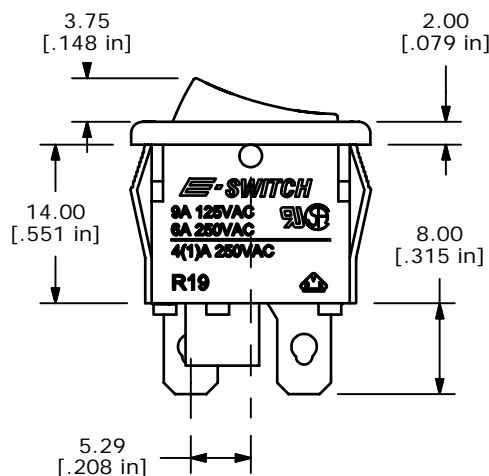


RECOMMENDED PANEL MOUNTING

PANEL THICKNESS	X
0.75-1.25	19.2-19.3
1.25-2.00	19.3-19.4
2.00-3.00	19.5-19.6



ISOMTRIC



NOTES:

1. ALL DIMENSIONS IN MM [INCH]
2. GENERAL TOLERANCE: X.X=±0.4
X.XX=±0.25
3. RATING:
6A @250VAC; 9A @125VAC (UL, CSA, VDE)
- ▲ 4. MATERIAL:
CONTACT SURFACE: COIN SILVER, SILVER PLATE
TERMINAL: COPPER ALLOY W/SILVER PLATE.
5. CONTACT RESISTANCE: 20 MILLI-OHMS TYP. INITIAL
6. INSULATION RESISTANCE: 1000 MEGA-OHMS
7. DIELECTRIC STRENGTH:
>1500V RMS min. @SEA LEVEL
8. MECHANICAL LIFE: 30,000 CYCLES.
9. ELECTRICAL LIFE: 10,000 CYCLES
10. ▲ DENOTES CRITICAL PARAMETER.
11. 2002/95/EC (ROHS) COMPLIANT



TITLE R1973ABLKBLKIF0				
SCALE 1.5:1	DATE 4/24/2006	DR CT	DWG M400092	REV A

A	15979	NEW PART RELEASE	4/24/06	CT
REV	PCR NO	DESCRIPTION	DATE	BY

THE INFORMATION CONTAINED IN THIS DOCUMENT IS PROPRIETARY TO E-SWITCH AND IS NOT TO BE COPIED OR TRANSFERRED