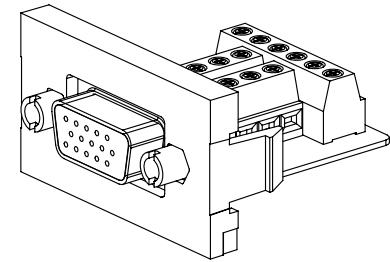
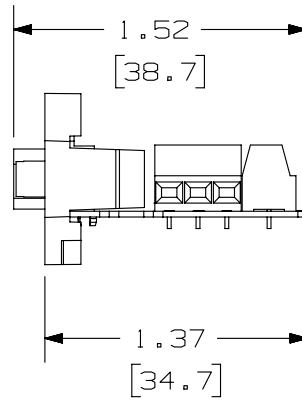
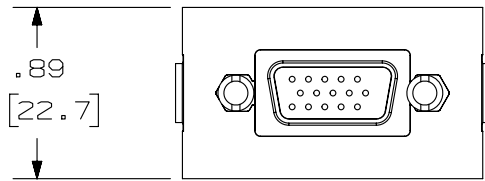
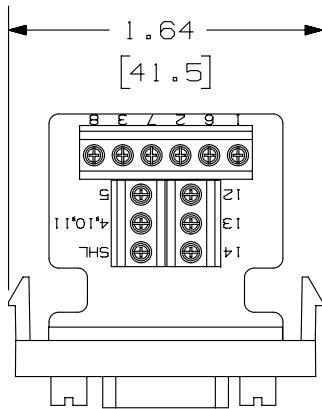


THIS COPY IS PROVIDED ON A RESTRICTED BASIS AND IS NOT TO BE USED IN ANY WAY DETRIMENTAL TO THE INTERESTS OF PANDUIT CORP.



PANDUIT P/N	WEIGHT
CHD15HDSC**Y	.36 LB/10 PCS (164.3 g/10 PCS)

NOTES:

- SEE CURRENT CATALOG FOR ADDITIONAL PART NUMBER SUFFIXES TO INDICATE COLOR AND OR PACKAGE QUANTITY.
- SEE CATALOG FOR COMPLETE LIST OF PARTS APPLICABLE FOR USE WITH THIS PART.
- DIMENSIONS IN PARENTHESES ARE IN METRIC.
- PART INCLUDES:  
1- 1/3 INSERT  
1- 15 PIN H.D. D-SUB CONNECTOR  
(ASSEMBLED TO 1/3 INSERT)

PART NUMBER		CHD15HDSC**Y	
TITLE			
15 PIN HIGH DENSITY D-SUB FIELD TERMINATING 1/3 INSERT			
CUSTOMER DRAWING			
ITEM REVISION NAME		M02479GU/01	
DATASET FILE NAME		M02479GU_DC179/01B	
UNLESS OTHERWISE SPECIFIED, DIMENSIONAL TOLERANCES ARE: IN [mm]		MATERIAL:	
.x ± .xxx ± .010 [.3]		INSERT-ABS	
.xx ± .03 [.8] ANGLES ±		DRAWING NUMBER:	
THIRD ANGLE PROJECTION		02479-179	
DRAWN BY	DATE	CHK	SCALE
JSP	4-19-06	EB	NONE
REV	DATE	BY	CHK
2	4/22/14	JSP	REFR
APR	DESCRIPTION	ECN	SIZE
MMR	REVISED AND REDRAWN, PREVIOUS REVISIONS HAVE BEEN OMITTED.	02479-179	A

D10100DA/14

2

1

2

1