

NOTES:

1. MATERIALS AND FINISH (IN MICRO-INCHES)

- BODY = ZINC DIECAST (PER ASTM B86, UNS Z33520), MATTE TIN PL. 100 MIN. THICK OVER NICKEL PL. 100 MIN. THICK OVER COPPER PL.(250 MIN./300 MAX.) THICK
- INSULATOR = PTFE PER ASTM D1710, COLOR: NATURAL
- HOUSING = PPE+PS, COLOR: PER TABLE
- FERRULE = COPPER (PER ASTM B75, UNS C11000 OR C12200) NICKEL PL. 100 MIN. THICK OVER COPPER STRIKE

CONTACT SUPPLIED SEPARATELY AS P/N: FKCP03301A (5,000 PCS. REEL)
 FERRULE MAY BE PURCHASED SEPARATELY AS P/N: 923-10168 (100 PCS. TRAY)
 CABLE DEFINITIONS PER AMPHENOL REPORT DE825

2. ELECTRICAL:

- A. IMPEDANCE: 50 OHM, NOMINAL
- B. FREQUENCY RANGE: DC-3.0 GHz
- C. VSWR(RETURN LOSS): 1.400 (-15.6dB) MAX.(DC-2.0 GHz) (MATED PAIR) 1.500 (-13.9dB) MAX.(2.0-3.0 GHz)
- D. DIELECTRIC WITHSTANDING VOLTAGE: 800 VRMS, MIN.

3. MECHANICAL:

- A. DURABILITY: 100 CYCLES MIN.
- B. TEMPERATURE RANGE: -40° C TO 85° C
- C. USCAR-17 COMPLIANT
- D. INTERFACE PER DIN 72594-1

4. PACKAGING:

- A. QUANTITY: TRAY PACK
- B. MARKING: TRAY TO BE MARKED "AMPHENOL,3FAI-NXSJ-COIWO, AND DATE CODE"

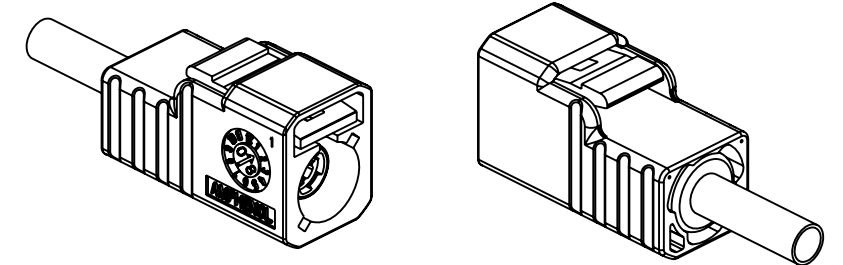
5. CABLE ASSEMBLY INSTRUCTIONS PER 349-50801

THIRD ANGLE PROJ.

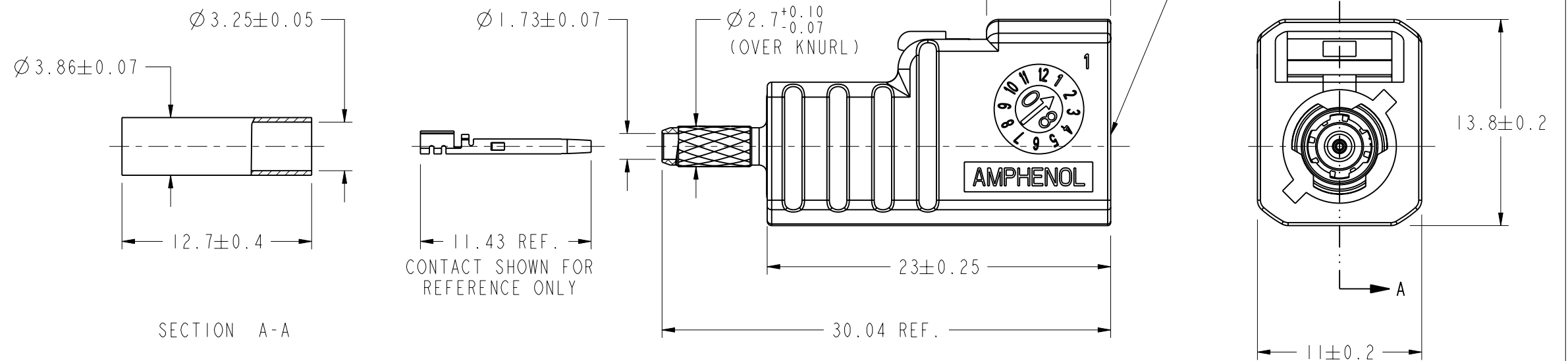
REVISIONS

REV	DESCRIPTION	DATE	ECO	APPR
A	RELEASE TO MFG.	29-Dec-09	-----	SH

**CONFIGURATION CONTROL:
 NO CHANGES PERMITTED TO DRAWING WITHOUT
 PPAP QUALIFIED CUSTOMER APPROVAL**



SCALE 1.500



SEE TABLE FOR PART NUMBER, COLOR, AND KEY CODING

- "C" KEYING SHOWN -

CODING	DRAWING NO.	COLOR	RAL NO.
A	3FAI-NASJ-COIWO	JET BLACK	9005
B	3FAI-NBSJ-COIWO	CREAM	9001
C	3FAI-NCSJ-COIWO	SIGNAL BLUE	5005
D	3FAI-NDSJ-COIWO	CLARET VIOLET	4004
E	3FAI-NESJ-COIWO	LEAF GREEN	6002
F	3FAI-NFSJ-COIWO	NUT BROWN	8011
G	3FAI-NGSJ-COIWO	BLUE GREY	7031
H	3FAI-NHSJ-COIWO	HEATHER VIOLET	4003
I	3FAI-NISJ-COIWO	BEIGE	1001
K	3FAI-NKSJ-COIWO	CURRY	1027
L	3FAI-NLSJ-COIWO	CARMINE RED	3002
M	3FAI-NMSJ-COIWO	PASTEL ORANGE	2003
N	3FAI-NNSJ-COIWO	PASTEL GREEN	6019
Z	3FAI-NZSJ-COIWO	WATER BLUE	5021

CUSTOMER OUTLINE DRAWING

ALL OTHER SHEETS ARE FOR INTERNAL USE ONLY

UNLESS OTHERWISE SPECIFIED, DIMENSIONS ARE IN METRIC AND TOLERANCES ARE:
 <0.5mm ±0.05mm 0.5 - 6mm ±0.1mm 6 - 30mm ±0.2mm 30 - 120mm ±0.3mm ANGLES ±1°

NOTICE - These drawings, specifications, or other data (1) are, and remain the property of Amphenol corp. (2) must be returned upon request; and (3) are confidential and not to be disclosed to any person other than those to whom they are given by Amphenol Corp. the finishing of these drawings, specifications, or other data by Amphenol Corp., or to any other person to anyone for any purpose is not to be regarded by implication or otherwise in any manner licensing, granting rights to permitting such holder or any other person to manufacture, use or sell any product, process or design, patented or otherwise, that may in any way be related to or disclosed by said drawings, specifications, or other data.

MATERIAL	DRAWN A.LIU	DATE 23-Sep-08	TITLE GEN 3.0 FAKRA JACK, COI CABLE GROUP, TAPE AND REEL CONTACT (SUPPLIED SEPARATELY)	<p style="text-align: center;">Amphenol RF</p> Danbury CT USA, Tainan, Taiwan, Shenzhen, China www.amphenolrf.com
REFERENCE EAR # 2865 AND CONFIGURATION LEVEL: RELEASE	ENGINEER J.YANG	DATE 23-Sep-08	SCALE: 3.0:1.0 SHEET 2 OF 2	
FINISH	APPROVED B.C. GLEISSNER	DATE 23-Sep-08	DWG SIZE B	DRAWING NO. 3FAI-NXSJ-COIWO
	CAD FILE I:\FAKRA\3FAI-NXSJ-COIWO		REV A	ITEM NO. 3FAI-NXSJ-COIWO
				PART NO. 3FAI-NXSJ-COIWO