

4

3

2

1

THIS DRAWING IS UNPUBLISHED.

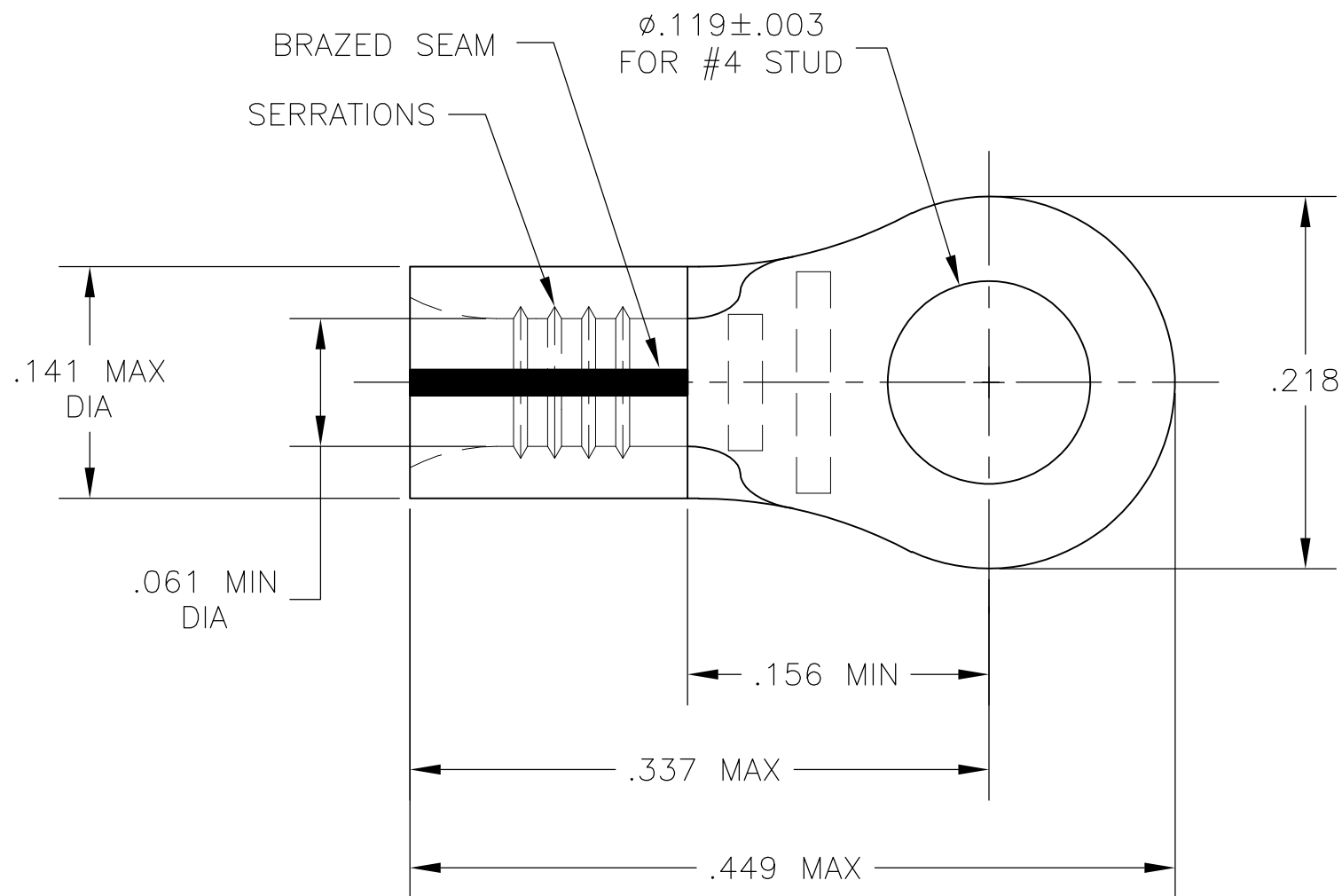
RELEASED FOR PUBLICATION

© COPYRIGHT - By -


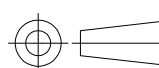
ALL RIGHTS RESERVED.

LOC	DIST	REVISIONS					
		P	LTR	DESCRIPTION	DATE	DWN	APVD
G	14		E1	REVISED PER ECO-13-012955	13AUG13	KH	DR

- 1 TONGUE MATERIAL THICKNESS .031±.002
- 2 MARKING 22-18 FOR MILITARY COMMERCIAL RANGE 22-16
- 3 NOTE DELETED
- △4 COPPER PER ASTM B-152
- △5 NICKEL PLATE PER QQ-N-290



500	LOOSE PIECE	2-322796-1
QTY	PACKAGE TYPE	PART NO

THIS DRAWING IS A CONTROLLED DOCUMENT.		DWN jr_ruth 16APR04	 TE Connectivity WIRE TERMINAL, RING TONGUE, SOLISTRAND - STRATO-THERM, WIRE SIZE: 22-16			
DIMENSIONS: INCHES		CHK MJ SPICER 16APR04				
		APVD MJ SPICER 16APR04				
TOLERANCES UNLESS OTHERWISE SPECIFIED:		PRODUCT SPEC				
0 PLC ± - 1 PLC ± - 2 PLC ± - 3 PLC ± .008 4 PLC ± - ANGLES ± 5°		APPLICATION SPEC	SIZE	CAGE CODE	DRAWING NO	RESTRICTED TO
MATERIAL △4		FINISH △5	—	A300779	C-322796	—
CUSTOMER DRAWING			SCALE 10:1	SHEET 1 OF 1	REV E1	