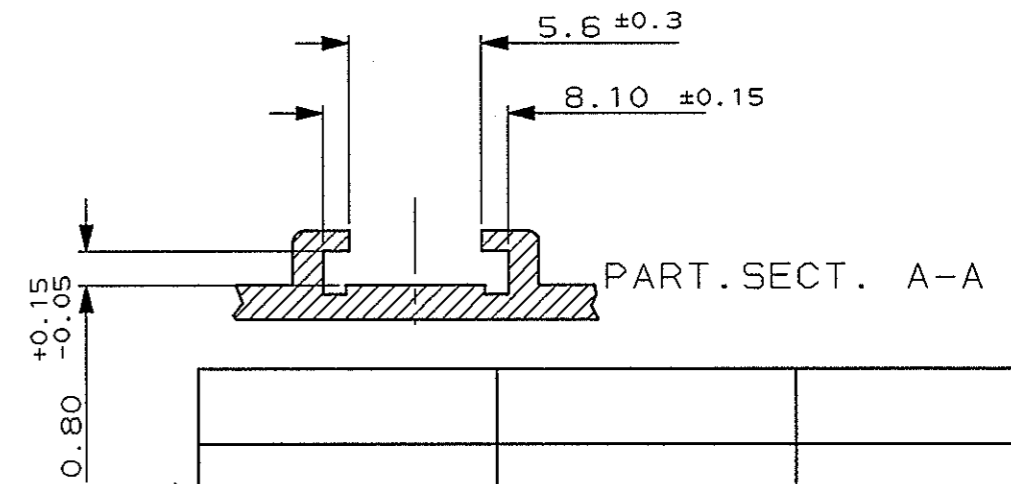
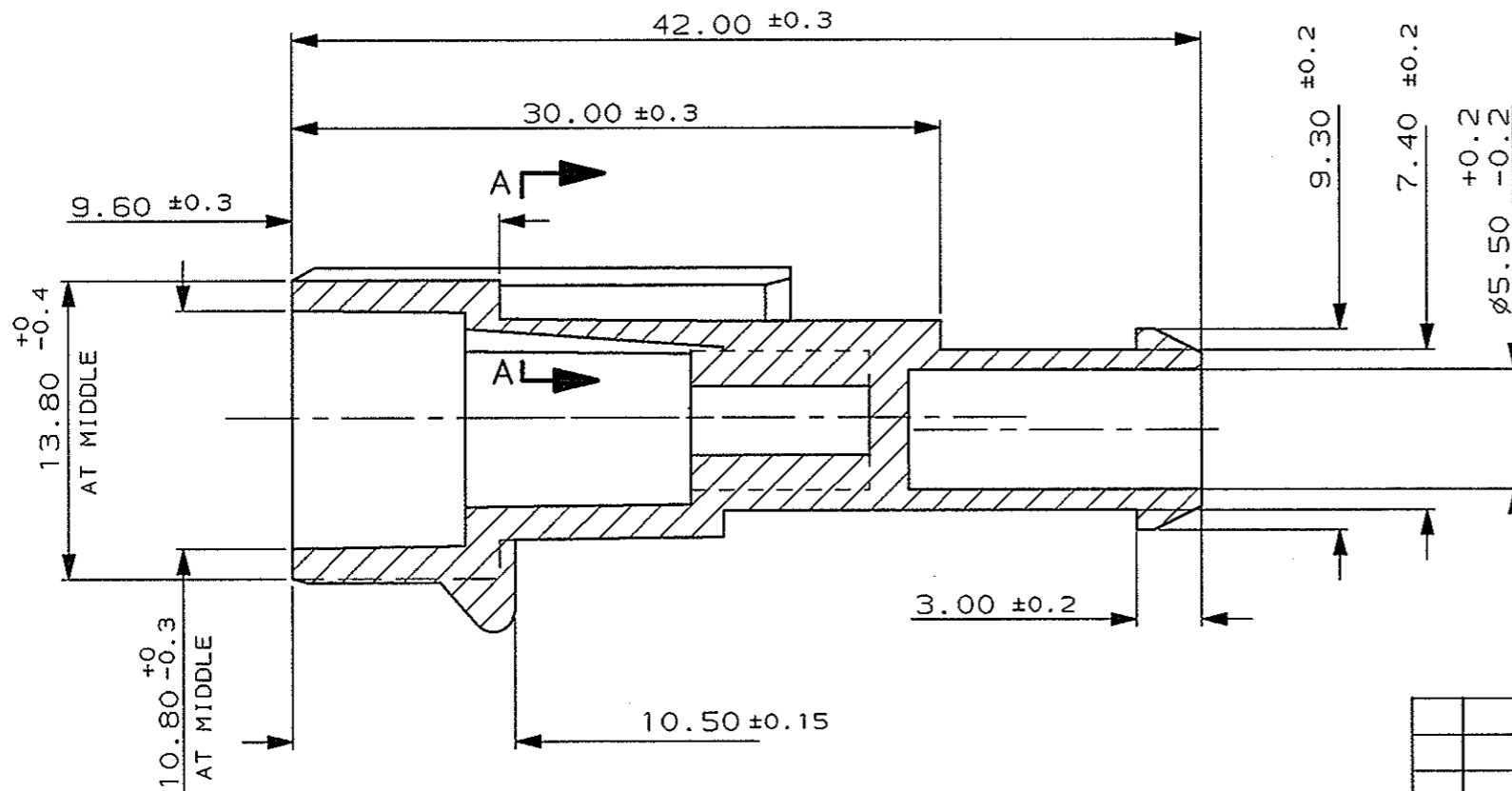
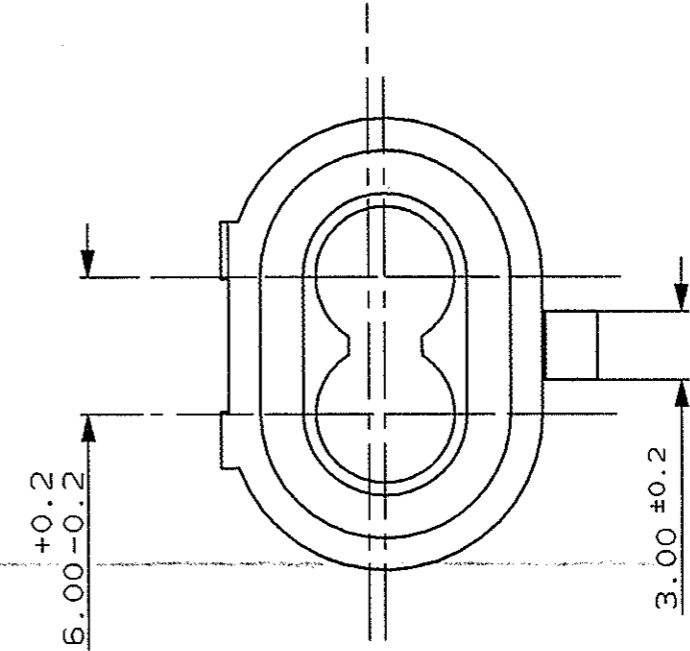
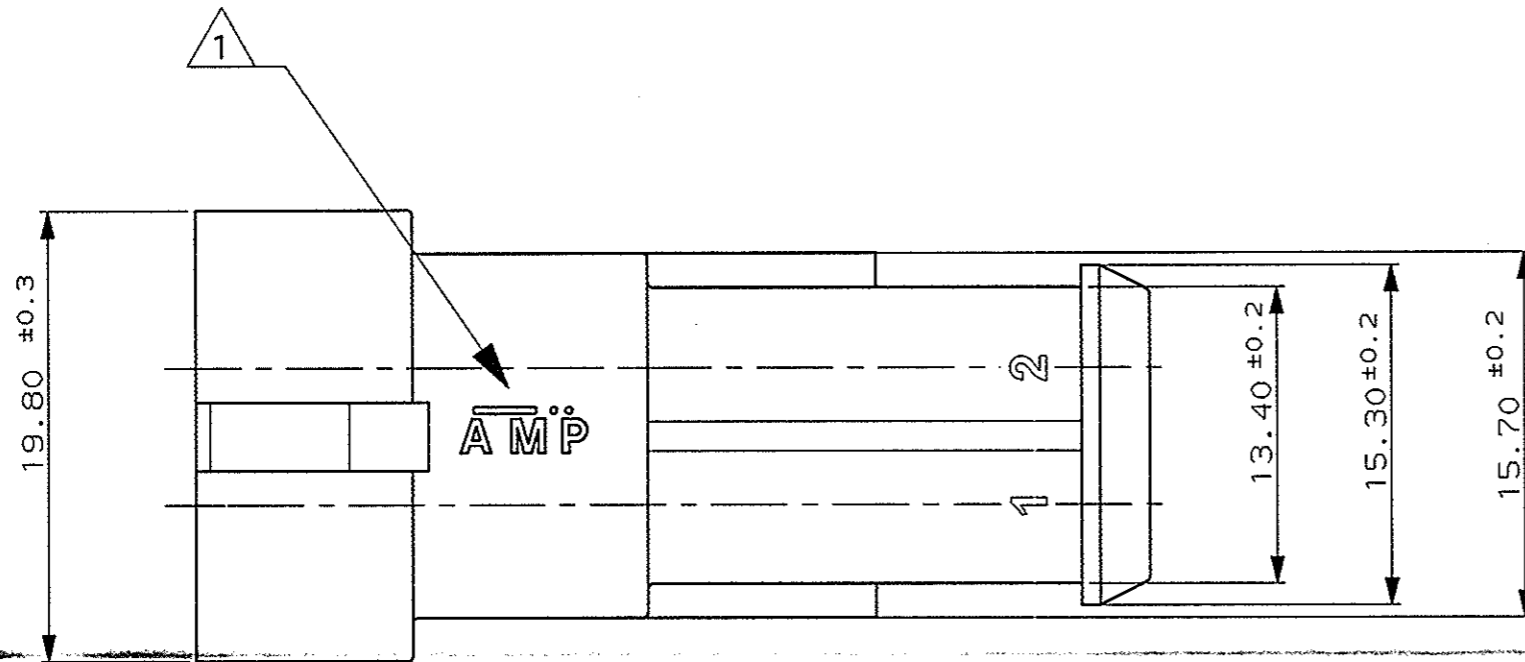


SCALA NON IMPEGNATIVA  
(DO NOT SCALE)  
DIMENSIONI IN mm  
(DIMENSIONS IN mm)

**METRIC**

PROIEZIONE EUROPEA  
(EUROPEAN PROJECTION)



1 LOGO "AMP" O, IN ALTERNATIVA, LOGO "TYCO"  
( "AMP" TRADE MARK OR, IN ALTERNATIVE, "TYCO" TRADE MARK)

ORANGE	G.F. PA66	1745022-1
FINITURA / COLORE (FINISH / COLOUR)	MATERIALE (MATERIAL)	NUMERO (PART NUMBER)

CUSTOMER DWG. FOR REFERENCE ONLY      DISEGNO PER CLIENTE SOLO PER RIFERIMENTO

THIS DRAWING IS UNPUBLISHED      RELEASE FOR PUBLICATION      19  
© COPYRIGHT 19 BY AMP INCORPORATED, HARRISBURG, PA. ALL INTERNATIONAL RIGHT RESERVED. AMP PRODUCTS MAY BE COVERED BY U.S. AND FOREIGN PATENT AND/OR PATENT PENDING

TOLLERANZE, SE NON DIVERSAMENTE SPECIFICATO (TOLERANCES, UNLESS OTHERWISE SPECIFIED)	DIAM. ISOLANTE (INS. DIA. RANGE)	RANGO FILO (WIRE RANGE)	SCALA (SCALE)
± 0.3	-	-	-

ANGOLI (ANGLES) ± 2°  
DIS. M. PALMA (CHK) 17-9-2004  
CONT. R. MARTINI (CHK) 17-9-2004

(DESCRIPTION) 2 POS TAB AMP SUPERSEAL 1.5 SERIES WITH CLOSED CAVITIES

REV.	REVISIONI (REVISION RECORD)	DIS. DATA (DR) (DATE)
A1	RELEASED FOR ECR-05-00560 M.P. 29-7-05	
A	FIRST ISSUE ET00-0190-04 M.P. 17-9-04	

LOC.	SIZE	NUMERO (DWG NO)	REV.	FOGLIO (SHEET)
I	A3	C-1745022	A1	1

DISTRIBUZIONE (PRINT DIST.)