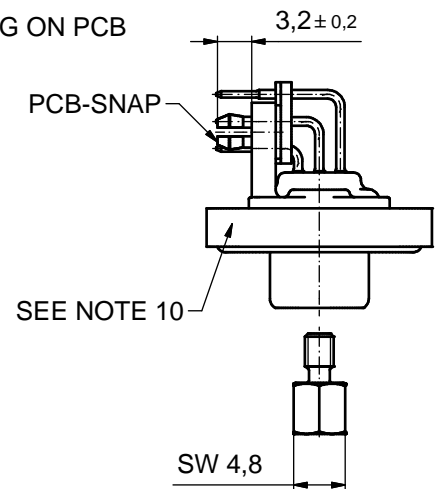
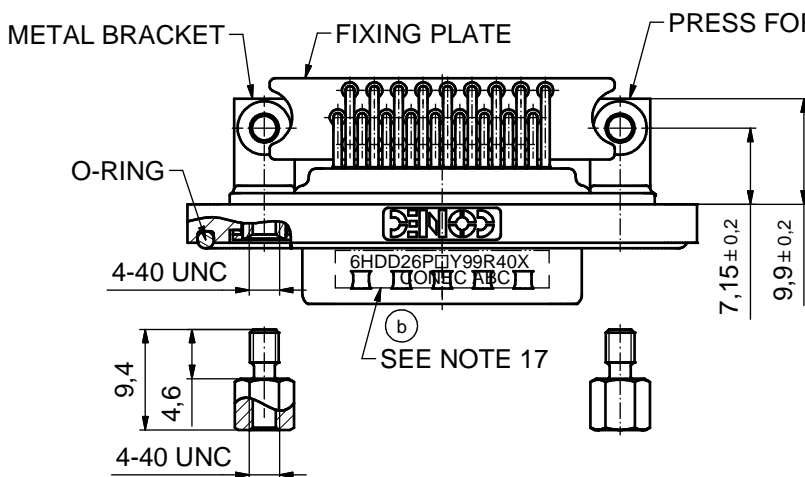
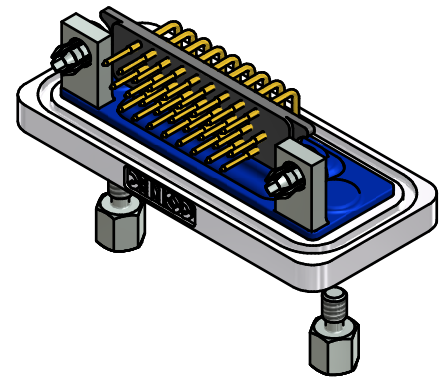
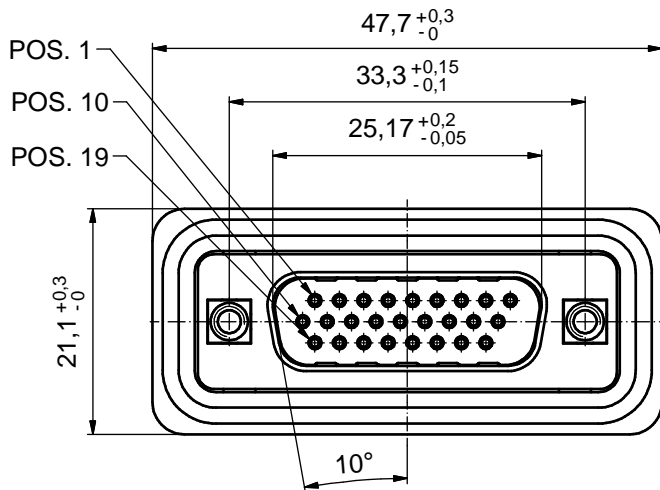
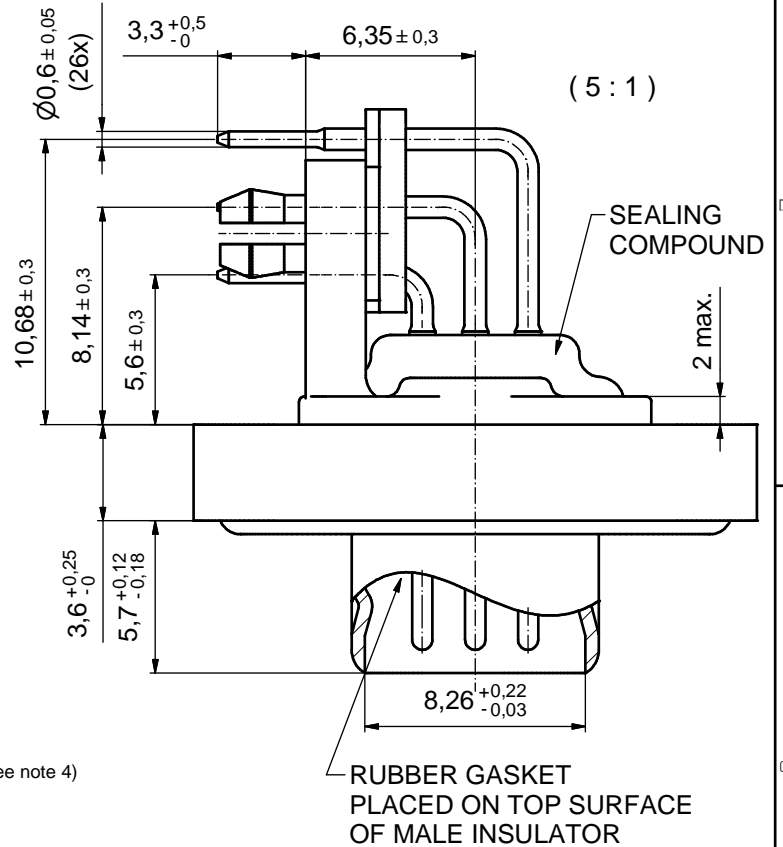


(b)
NOTES:

1. FOR WAVESOLDERING (SOLDER BATH TEMPERATURE 240°C FOR 5 SEC. / AND SOLDER PREHEAT 120°C FOR 120 SEC.)
2. METALSHELLS: COPPER ALLOY; min. 315µin TIN over 40-80µin NICKEL
3. INSULATORS: PBT GF UL 94 V-0; BLACK
4. CONTACTS: COPPER ALLOY; PLATING (SEE PART NO.):
 PLEASE ADD A for GOLD FLASH over NICKEL (PREFERRED TYPE)
 PLEASE ADD B for 20µin HARD GOLD over min. 50µin NICKEL
 PLEASE ADD C for 30µin HARD GOLD over min. 50µin NICKEL
5. METAL BRACKETS: ZINC DIE CAST;
300µin COPPER/ 40-120µin NICKEL/ 120-200µin TIN
6. THREADED INSERTS: COPPER ALLOY;
min. 200µin TIN over 80µin NICKEL
7. PCB-SNAPS: COPPER ALLOY; min. 200µin TIN over 80µin NICKEL
PCB-HOLE: $\varnothing 3,1 \pm 0,1$; PCB THICKNESS 1,6mm
8. COLLARS: COPPER ALLOY; NICKEL PLATED
9. HEXLOCKING SCREWS: STAINLESS STEEL
10. FRAME: ZINC DIE CAST; NICKEL PLATED
11. FIXING PLATE: PBT GF UL 94 V-0; BLACK
12. O-RING: SILICON; BLUE
13. RUBBER GASKET: TPE
14. SEALING COMPOUND: PUR; BLUE
15. P.C.B. HOLE DRILLINGS AND RECOMMENDED PANEL CUT-OUT ON SHEET 2
16. RECOMMENDED TORQUE FOR MOUNTING SCREW 35Ncm (3.1 in.LB) / max.40Ncm (3.5 in.LB)
17. CONNECTOR IS PART MARKED: 6HDD26P□Y99R40X CONEC ABC (see note 4)

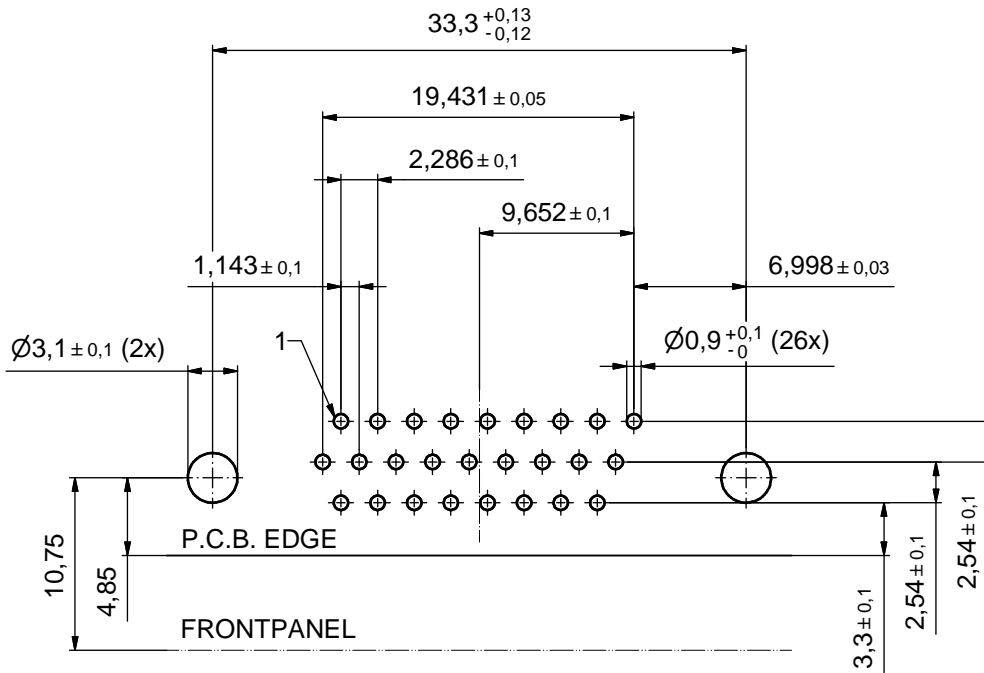


AT ALL TIMES WATER RESISTANT CONNECTORS NOT IN USE SHOULD BE COVERED WITH A CONEC WATER RESISTANT CAP OR WATERTIGHT HOOD.

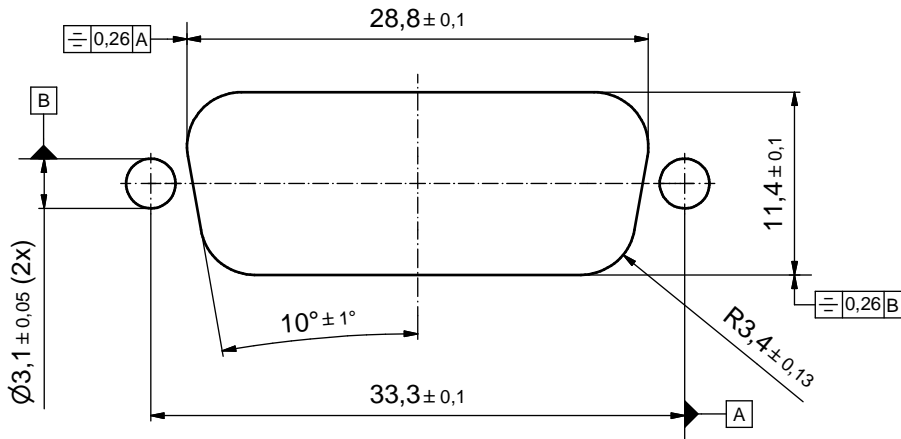
Directive 2002/95/EC RoHS compliant

THIS DRAWING MAY NOT BE COPIED OR REPRODUCED IN ANY WAY, AND MAY NOT BE PASSED ON TO A THIRD PARTY WITHOUT WRITTEN PERMISSION. OWNERSHIP AND COPYRIGHT OF CONEC GmbH				tolerance		scale: 2:1 (5:1)	
				dim. in mm		material: SEE NOTES	
DO NOT ALTER CAD DRAWING BY HAND				date	name		
				drawn	08.12.11	Henneboel	
2 x b				appd.	08.12.11 Fischer		
				norm			
a				d-old	18K1A464		
rev.	description	date	name				
				part no: 6HDD26P□Y99R40X (see note 4)		sh: 1	

P.C.B. HOLE DRILLINGS
(P.C.B. TOP SIDE)



RECOMMENDED PANEL CUT-OUT



THIS DRAWING MAY NOT BE COPIED OR REPRODUCED IN ANY WAY, AND MAY NOT BE PASSED ON TO A THIRD PARTY WITHOUT WRITTEN PERMISSION. OWNERSHIP AND COPYRIGHT OF CONEC GmbH DO NOT ALTER CAD DRAWING BY HAND	tolerance		dim. in mm		scale:	3:1
					material:	SEE SHEET 1
					title:	
					P.C.B. HOLE DRILLINGS PANEL CUT-OUT D-SUB HD Male 26pos. Solder pin angled 90°	
					dwg no:	
				15K1A980		sh: 2
				part no:		SEE SHEET 1