

THIS DRAWING IS UNPUBLISHED.

RELEASED FOR PUBLICATION

ALL RIGHTS RESERVED.

LOC DIST  
AJ 54

REVISIONS

P	LTR	DESCRIPTION	DATE	DWN	APVD
	F	ECO-14-014419	24SEP2014	RZ	MY

NOTES:

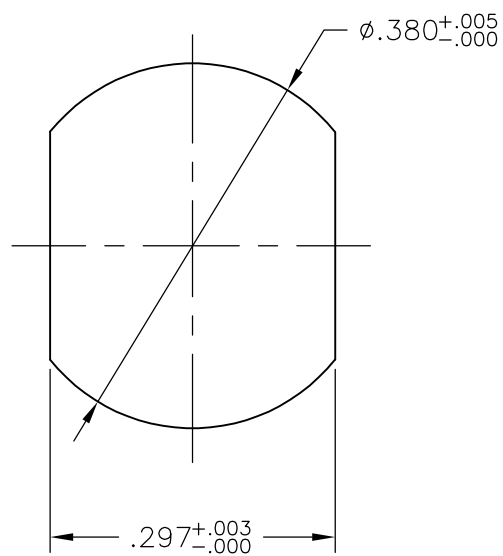
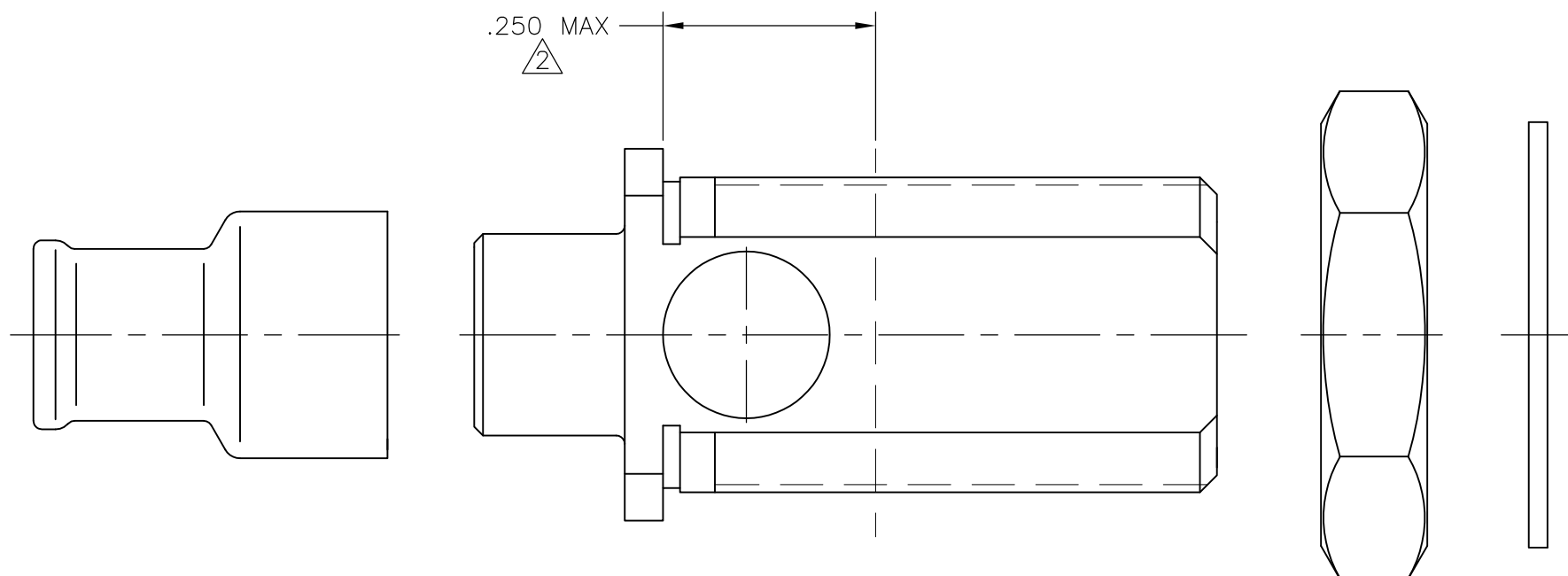
1. PARTS PACKAGED UNASSEMBLED

2. .250 MAX PANEL THICKNESS

3. MATERIAL AND FINISH:


BODY: BRASS, SILVER PLATING  
 CENTER CONTACT: BERYLLIUM COPPER, GOLD PLATING  
 DIELECTRIC: POLYPROPYLENE  
 NUT: BRASS, SILVER PLATING  
 LOCK WASHER: STAINLESS STEEL, SILVER PLATING  
 FERRULE: BRASS, SILVER PLATING

4. FOR USE WITH MICRODOT 2-3932 & 2-3934 CABLE



RECOMMENDED  
PANEL CUTOUT

2-329940-1  
 PART NUMBER

THIS DRAWING IS A CONTROLLED DOCUMENT.		DWN RITA ZUO 24SEP2014	 TE Connectivity														
DIMENSIONS: INCHES		CHK ANSON MA 24SEP2014															
TOLERANCES UNLESS OTHERWISE SPECIFIED:		APVD MARTIN YE 24SEP2014	NAME CONNECTOR, COAXIAL, R.F. TWIN THREADED SERIES RECEPTACLE														
<table border="0"> <tr> <td>0 PLC</td> <td>± -</td> </tr> <tr> <td>1 PLC</td> <td>± -</td> </tr> <tr> <td>2 PLC</td> <td>± -</td> </tr> <tr> <td>3 PLC</td> <td>± -</td> </tr> <tr> <td>4 PLC</td> <td>± -</td> </tr> <tr> <td>ANGLES</td> <td>± -</td> </tr> </table>		0 PLC	± -	1 PLC	± -	2 PLC	± -	3 PLC	± -	4 PLC	± -	ANGLES	± -	PRODUCT SPEC -	APPLICATION SPEC 408-1833		
0 PLC	± -																
1 PLC	± -																
2 PLC	± -																
3 PLC	± -																
4 PLC	± -																
ANGLES	± -																
MATERIAL -		FINISH -	WEIGHT -	SIZE A3	CAGE CODE 00779												
CUSTOMER DRAWING			DRAWING NO C-329940	RESTRICTED TO -	SCALE 5:1												
			SHEET 1 OF 1	REV F													