

INVENTORS

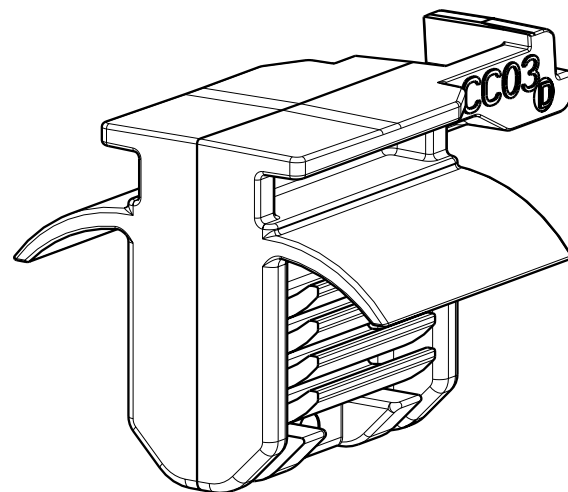
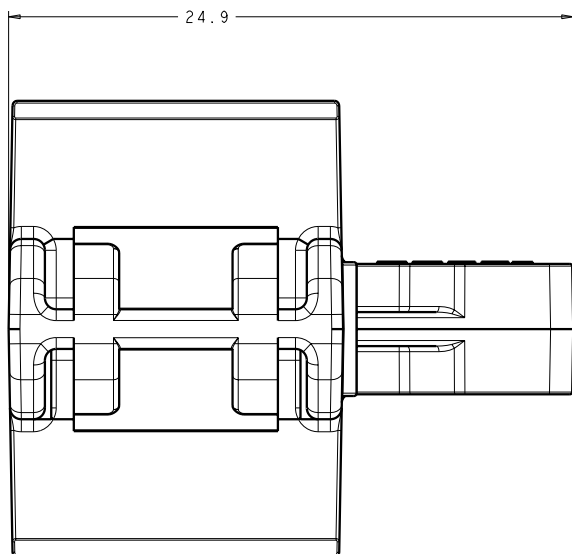
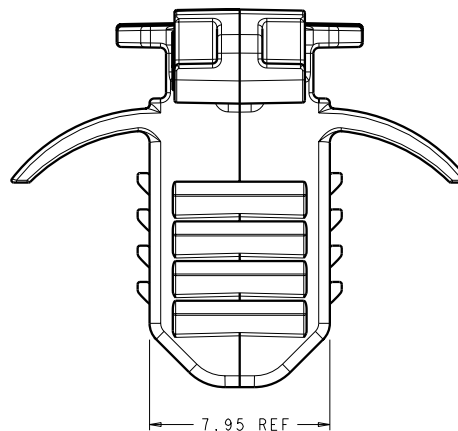
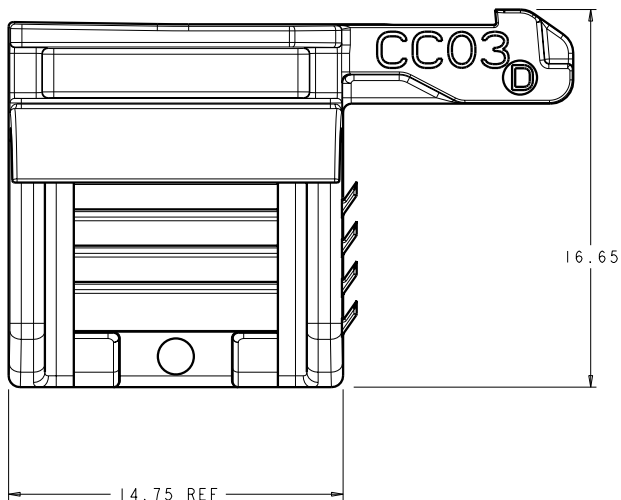
HellermannTyton®

ALL PROPRIETARY RIGHTS IN THE SUBJECT MATTER SHOWN ON THIS DRAWING ARE EXCLUSIVE PROPERTY OF HELLERMANN TYTON

name	date	city, state
SJA	3/28/2005	MENOMONEE FALLS, WI.

NOTES

- PERFORMANCE REQUIREMENTS AT DRY AS MOLDED:
1. FIR TREE PUSH IN FORCE: 30 lbs MAX IN A 8.0mm X 15.0mm HOLE AND A SHEET METAL THICKNESS OF 1.0mm
 2. FIR TREE PULL OUT FORCE: 55 lbs MIN IN A 8.0mm X 15.0mm HOLE AND A SHEET METAL THICKNESS OF 1.0mm
 3. PANEL THICKNESS RANGE: 0.70mm - 6.35mm
 4. CLIP TO CONNECTOR PUSH ON FORCE: 13.48 lbs MAX.
 5. CLIP TO CONNECTOR PULL OFF FORCE: 24.73 lbs MIN.



ISOMETRIC VIEW

PATENT PENDING



REVISION	D level	06
	by	SJA
	date	3/23/07
	ECN #	010684
	part level	D

DIMENSIONS	Tolerance	.XXXX: ±0.25
		.XXX: ±0.5
		.XX: ±1.0
		.X: ±2.0
		∠: ±0.5
	unless otherwise specified	
	units	metric

PART	number	CC03	phase	PRODUCTION
	name			
	FLUSH MOUNT CONNECTOR CLIP (8mm X 15mm RECTANGULAR HOLE)			
	material			
	NYLON 6/6 IMPACT MODIFIED, HEAT STABILIZED COLOR: BLACK			

DRAWING	FORMAT	AV	version	J	CAD	PRO-E	scale	3/1	
	computer file number		previous number						
	drawn	S. ADAMS	checked	G. GEIGER	approved				
	date	3/28/05	checked	9/29/05	approved				
	type		CUSTOMER			sheet 1 of 1			
number		MT1028003CST							

Product Number
Cross Reference Record

Uncontrolled Document

Pre-UNS Number System	(New) UNS Universal Number System	Customer Part Number
Product Number CC03	Product Number 151-00496	Product Number -
Reference Drawing Number: MT1028003CST		

Issued By:	(New) UNS Product Number	Issue Date:
HellermannTyton	Universal Numbering System	February 16, 2011