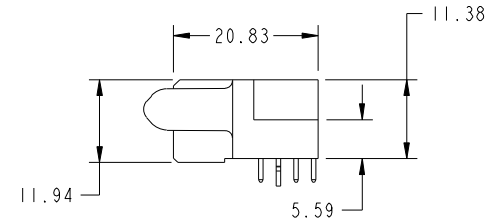
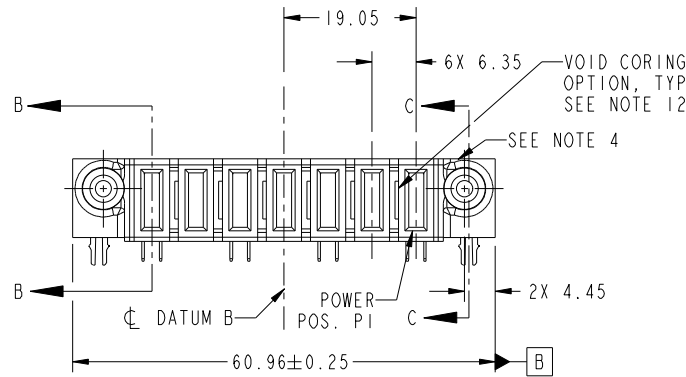
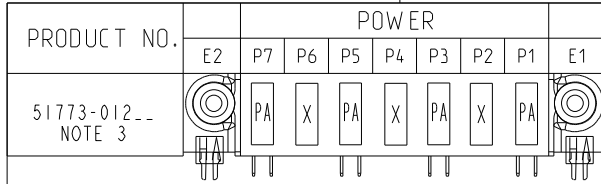


Tous droits strictement reserves. Reproduction ou communication a des tiers interdite sous quelque forme que ce soit sans autorisation écrite du propriétaire. Propriete de c FCI. Droits de reproduction FCI.



All rights strictly reserved. Reproduction or issue to third parties in any form whatever is not permitted without written authority from the proprietor. Property of FCI. Copyright FCI.



CODE	DIM "M" MATING LENGTH	CONTACT TYPE
PA	[1.07]	POWER
HA	[N/A]	HOLD-DOWN
X	OMITTED	OMITTED[N/A]

mat'l code				SEE NOTE 2		tolerances unless otherwise specified		CUSTOMER		FCI	
litr	ecr no.	dr	date	linear	0.X ± 0.5	projection		COPY		www.fciconnect.com	
A	DG11-0015	XQ	01/11/11	angles	0.XX ± 0.25	MM		title		7 P	
				dr	0.XXX ± 0.1	← MIM →		R/A STB RECEPTACLE		product family	
				enr	0° ± 2°	scale		A		PwrBlade	
				chr		1:1		size		code	
				appd				dwg no		213	
								51773-012		sheet	
										1 of 4	
sheet index	revision sheet	A	A	A	A					cage code	
1	2	3	4							22526	

Pro/E

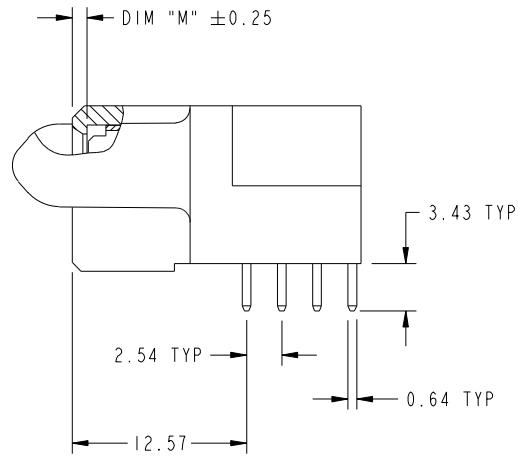
cage code 22526

Tous droits strictement reserves. Reproduction ou communication a des tiers interdite sous quelque forme que ce soit sans autorisation écrite du propriétaire. Propriete de c FCI. Droits de reproduction FCI.

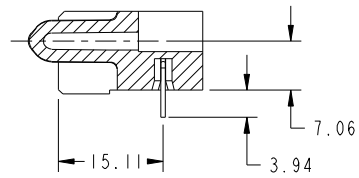


All rights strictly reserved. Reproduction or issue to third parties in any form whatever is not permitted without written authority from the proprietor. Property of FCI. Copyright FCI.

PRODUCT NUMBER
51773-012--
NOTE 3



BROKEN-OUT SECTION B-B
SCALE 2:1



SECTION C-C

mat'l code				SEE NOTE 2		tolerances unless otherwise specified		CUSTOMER		FCI	
ltr	ecn no.	dr	date	linear	0.X ±0.5		COPY		www.fciconnect.com		
A					0.XX ±0.25		projection		title 7 P R/A STB RECEPTACLE		
					0.XXX ±0.1				product family PwrBlade code 213		
				angles	0° ±2°				size	dwg no	sheet
				dr	X0 Wang	01/11/11	scale		A	51773-012	2 of 4
				enr	Anson Liu	01/11/11	1:1				
				chr	PM Zheng	01/11/11					
				appd	Joseph Hsia	01/11/11					
sheet index	revision sheet										

cage code 22526

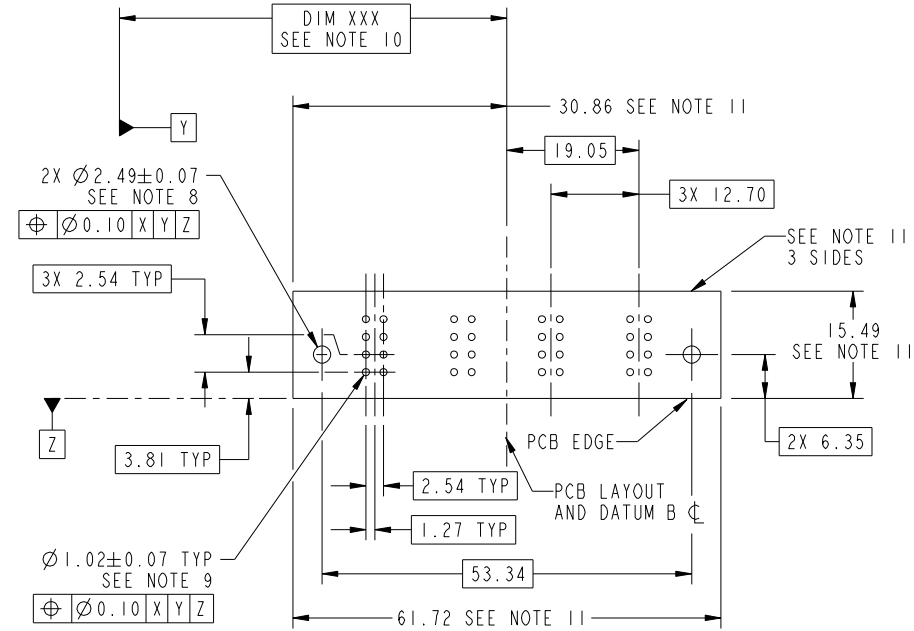
Pro/E

Tous droits strictement reserves. Reproduction ou communication a des tiers interdite sous quelque forme que ce soit sans autorisation écrite du propriétaire. Propriete de c FCI. Droits de reproduction FCI.



All rights strictly reserved. Reproduction or issue to third parties in any form whatever is not permitted without written authority from the proprietor. Property of FCI. Copyright FCI.

PRODUCT NUMBER
51773-012--
NOTE 3



RECOMMENDED PCB LAYOUT

mat'l code				SEE NOTE		tolerances unless otherwise specified		CUSTOMER		FCI	
ltr	ecn no.	dr	date	linear	0.X ±0.5	COPY		www.fciconnect.com		title	
A					0.XX ±0.25	projection		7 P		R/A STB RECEPTACLE	
				angles	0.XXX ±0.1			product family		code	
				dr	0° ±2°			PwrBlade		213	
				enr	X0 Wang 01/11/11	scale		size		sheet	
				chr	Anson Liu 01/11/11	1:1		dwg no		3 of 4	
				appd	PM Zheng 01/11/11			A		51773-012	
sheet index	revision sheet										

cage code 22526

Pro/E

Tous droits strictement reserves. Reproduction ou communication a des tiers interdite sous quelque forme que ce soit sans autorisation écrite du propriétaire. Propriete de c FCI. Droits de reproduction FCI.



All rights strictly reserved. Reproduction or issue to third parties in any form whatever is not permitted without written authority from the proprietor. Property of FCI. Copyright FCI.

PRODUCT NUMBER
51773-012--
NOTE 3

NOTES:

1. DIMENSIONS AND TOLERANCES ARE IN ACCORDANCE WITH ASME Y14.5M, 1994 UNLESS OTHERWISE SPECIFIED.

CONNECTOR NOTES:

- 2. HOUSING MATERIAL: UL 94 V-0 GLASS FILLED HIGH-TEMP THERMOPLASTIC
POWER CONTACT MATERIAL: COPPER ALLOY
SIGNAL PIN MATERIAL: COPPER ALLOY
- 3. SEE ITEM 5 & 6 IN PRINT 10064183 FOR PLATING SPEC OF 51773-012 AND 51773-012LF RESPECTIVELY.
- 4. MANUFACTURER'S NAME, DATE CODE AND OPTIONAL P/N TO APPEAR ON THIS SURFACE. THE P/N CAN BE OMITTED IF THERE IS NOT ENOUGH SPACE ON THIS SURFACE.
- 5. PRODUCT SPECIFICATION GS-12-149.
APPLICATION SPECIFICATION BUS-20-067.
- 6. PACKAGED IN TRAYS.

PCB NOTES:

- 7. ALL HOLE DIAMETERS ARE FINISHED HOLE SIZE.
- 8. MOUNTING HOLES, WHERE APPLICABLE, ARE UNPLATED.
- 9. $\varnothing 1.151 \pm 0.025$ DRILLED HOLES PLATED WITH
0.008 MIN SnPb OR Sn OVER 0.03
TO 0.08 Cu PLATING TO ACHIEVE
 $\varnothing 1.02 \pm 0.07$ HOLE.
- 10. "DIM XXX" TO BE DETERMINED BY THE CUSTOMER.
- 11. CONNECTOR KEEP-OUT ZONE.
- 12. THE VOID CORING IN BETWEEN POWER MODULES, SIGNAL MODULES AND END MODULES ARE OPTIONAL AND THE SHAPE MAY BE DIFFERENT FOR OPTIMIZE THE MOLDING PROCESS. THE VOID CORING WILL NOT EFFECT TO PRODUCT FUNCTION.

mat'l code		SEE NOTE 2		tolerances unless otherwise specified		CUSTOMER		FCI		www.fciconnect.com	
ltr	ecn no.	dr	date	linear	0.X ± 0.5	COPY		 title 7 P R/A STB RECEPTACLE			
A					0.XX ± 0.25	projection					
				angles	0.XXX ± 0.1	 MIM					
				dr	X0 Wang 01/11/11	product family		PwrBlade	code	213	
				enr	Anson Liu 01/11/11	size		dwg no	sheet	4 of 4	
				chr	PM Zheng 01/11/11	scale		A	51773-012		
				appd	Joseph Hsia 01/11/11	1:1					
sheet index	revision sheet										

cage code 22526

Pro/E