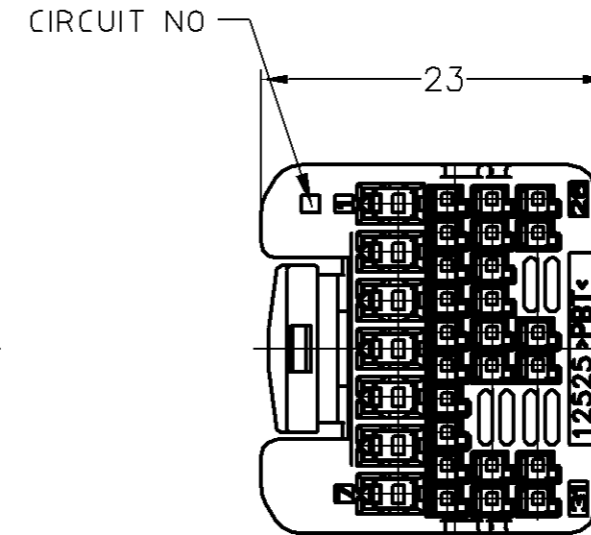
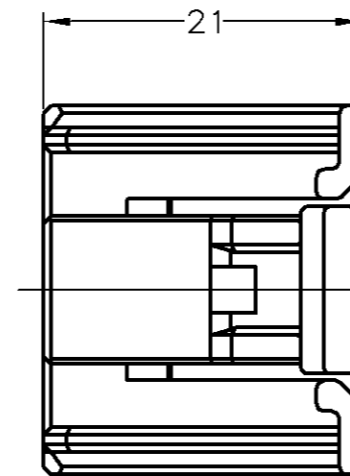
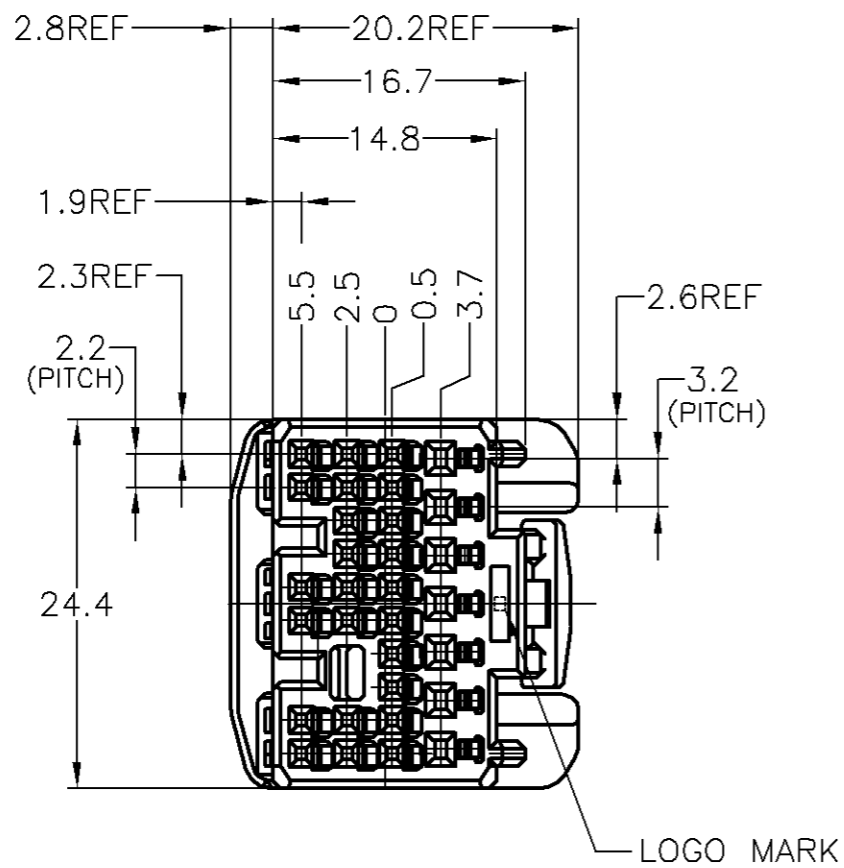
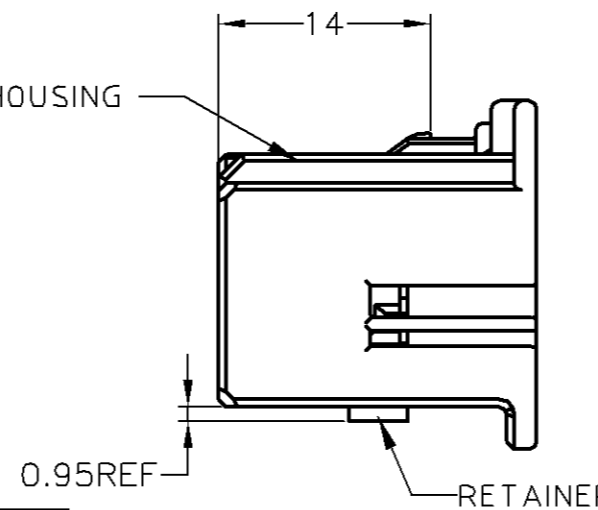


P	LTR	DESCRIPTION	DATE	DWN	APVD
A1	REVISED	ECR-11-010780	01JUN11	AY	HY



LOGO MARK

PLUG HOUSING



RETAINER

- 1.RETAINER SHOULD BE SENT TO THE PRE-ASSEMBLY POSITION WITHIN THE PLUG HOUSING WHEN SHIPPED TO THE CUSTOMER
- 2.INSTRUCTION SHEET NO.411-78080
- 3.PART NUMBER OF CAP HOUSING TO BE MATED; SEE TABLE-1
- 4.APPLIED TERMINALS; SEE TABLE-2

- 1.プラグハウジングにリテーナを仮係止して出荷される
- 2.取扱説明書NO.411-78080
- 3.嵌合相手型番; TABLE-1参照
- 4.適用端子; TABLE-2参照

TABLE-1

POS 極数	CAP ASSEMBLY PART NO キャップ型番
200	1473649
167	1318813
167 (STD)	1612435
135	1376430
70	1473193

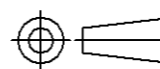
TABLE-2

		TERMINAL PART NO 端子型番	APPLICABLE WIRE RANGE 適用電線
SIGNAL 0.64 III	TIN	1674311-1	AVSS/CAVS/CAVUS/AVSSH-f 0.3~0.5mm <sup>2</sup>
	SELECTIVE GOLD	1674311-2	
	TIN	1674936-1	CAVS/CAVUS/CHFUS 0.22mm <sup>2</sup>
	SELECTIVE GOLD	1674936-2	
POWER 1.0 III	SELECTIVE GOLD	316837-2	AVSS/CAVS/CAVUS 0.3~0.85mm <sup>2</sup> AVS 0.3~0.5mm <sup>2</sup>
		316836-1	
	TIN	316838-1	AVS 0.5mm <sup>2</sup> AVSS/CAVS 0.85~1.25mm <sup>2</sup> CAVUS 1.25mm <sup>2</sup>

PAPER BOX ダンボール	PLASTIC BAG ビニール袋	BLACK	1674919-2
PAPER BOX ダンボール	PLASTIC BAG ビニール袋	NATURAL	1674919-1
OUTER 外装	INNER 内装	COLOR	PART NUMBER
PACKING STYLE 梱包形態			

THIS DRAWING IS A CONTROLLED DOCUMENT.

DIMENSIONS:  
単位: 耗  
mm



MATERIAL  
材料  
PBT

TOLERANCES UNLESS  
OTHERWISE SPECIFIED:  
一般公差 ±0.3

- 0-PLG ±
- 1-PLG ±
- 2-PLG ±
- 3-PLG ±
- 4-PLG ±
- ANGLES ±3°

FINISH  
仕上  
SEE TABLE

DWN S.AMEMIYA 15OCT03

CHK H.YAMAGAMI 15OCT03

APVD K.ASAI 15OCT03

PRODUCT SPEC  
製品規格  
108-5877

APPLICATION SPEC  
取付適用規格  
114-5217,5329

WEIGHT 5.6g

CUSTOMER DRAWING

NAME  
名称

0.64III/1.0III CONNECTOR  
PLUG HOUSING ASSY 31P

SIZE

A3

CAGE CODE

00779

DRAWING NO  
番号

C-1674919

SCALE  
尺度 2:1

SHEET 1 of 1

REV A1

**TE** TE Connectivity